

ORDINANCE NO. 2024-4

**AN ORDINANCE ESTABLISHING NEW SIGNAGE REGULATIONS AND PROCESSES,
THEREBY AMENDING CHAPTERS 1, 2, 12, 14, 17, 19, 21, AND APPENDIX A OF THE CITY
CODE.**

The City Council of the City of Bloomington, Minnesota ordains:

Section 1. That Chapter 1 of the City Code is hereby amended by deleting those words that are contained in brackets [] with ~~striketrough~~ text and adding those words that are underlined, to read as follows:

**CHAPTER 1: INTERPRETATION AND ENFORCEMENT OF
THE CITY CODE**

ARTICLE II: CIVIL HEARING PROCESS

§ 1.11 CITY CODE PROVISIONS THAT ARE ADMINISTRATIVE OFFENSES

A violation of the following provisions of the city code shall be an administrative offense that may be subject to the administrative mediation and hearing process of this Article II.

- (47) Chapter 19, Article IX, Shore Area Regulations;
- (48) [~~Chapter 19, Article X, Sign Regulations~~]Reserved;
- (49) Chapter 21, Article I, Introduction and Establishment;

Section 2. That Chapter 2 of the City Code is hereby amended by deleting those words that are contained in brackets [] with ~~striketrough~~ text and adding those words that are underlined, to read as follows:

CHAPTER 2: ADMINISTRATION

ARTICLE II: ADMINISTRATIVE CODE

§ 2.10 APPLICANTS TO BE HEARD.

(a) The hearing examiner shall hear variance applications, except as provided under subsection (b) of this section, where:

(1) Affidavits of consent have been submitted indicating approval of the variance by 100% of the adjacent landowners and those landowners whose property is being encroached upon, and where a finding has been made by the Director of Community Development or his or her designee that the variance requested is minor;

(2) The variance requested relates to driveway setbacks, garage setbacks, accessory building setbacks or side or rear yard swimming pool setbacks;

(3) The requested variance, other than those cases specified in subsection (a)(2) above is five feet or less as measured horizontally and not vertically;

(4) ~~[The requested variance has been found by the Director of Community Development or his or her designee to be minor, and where the variance relates to the size, location or the duration of display of temporary signs]~~Reserved;

ARTICLE V: CITY BOARDS AND COMMISSIONS

DIVISION G: PLANNING COMMISSION

§ 2.85.04 ZONING VARIANCES

(g) Findings.

(1) Zoning variances may only be approved when:

(A) The variance is in harmony with the general purposes and intent of the ordinance;

(B) The variance is consistent with the Comprehensive Plan;

(C) The applicant for the variance establishes that there are practical difficulties in complying with the zoning ordinance. Economic considerations alone do not constitute practical difficulties;

(D) The property owner proposes to use the property in a reasonable manner not permitted by the zoning ordinance;

(E) The plight of the landowner is due to circumstances unique to the property not created by the landowner; and

(F) The variance if granted will not alter the essential character of the locality.

~~[(2) Sign size variances may only be approved when:~~

~~(A) The sign will have an appearance which will not adversely affect or detract from neighboring property.~~

~~(B) The sign will be of such size that it will not deter or affect the motoring public on roads or highways adjacent to the placement of the sign.~~

~~(C) That, because of the topographic and physical conditions of the land, structures, or surrounding built-up area, strict enforcement of Chapter 19 or 21 of this code would deprive the applicant of the reasonable use of a sign for the purpose of identifying his or her business to the public.~~

~~(3) Sign placement variances may only be approved when:~~

~~(A) The placement of the sign will not be at a location which will have an adverse effect in appearance, height or location on neighboring properties.~~

~~(B) The placement of the sign will not be at a location which will adversely affect, deter or detract the motoring public on adjacent streets or highways.~~

~~(C) Strict compliance with the provision of Chapter 19 or 21 of this code relating to the placement of signs would deprive the applicant of the reasonable use of the sign for such land or building.~~

~~(D) That, because of the topographic or physical conditions relating to the land, structure, or surrounding built-up areas, strict enforcement of the placement of a sign under Chapter 19 or 21 of this code would result in depriving the applicant of a reasonable placement of the sign on the land or building consistent with the purpose of the sign.~~

~~(4) Variances in the number of signs allowed may only be approved when:~~

~~(A) The surface area of the multiple signs does not exceed the surface area for the permitted signs as set forth in Chapter 19 or 21.~~

~~(B) The multiple signs will have an appearance and location which will not adversely affect or detract from neighboring property.~~

~~(C) The multiple signs will be of such size and location that it will not deter or affect the motoring public on roads or highways adjacent to the placement of the signs.~~

~~(D) That, because of the topographic and physical conditions of the land, structures, or surrounding built-up area, strict enforcement of Chapter 19 or 21 of this code would deprive the applicant of the reasonable use of signs for the purpose of identifying his or her business to the public.~~

~~(5) Variances in the duration of temporary signs may only be approved when:~~

~~(A) The additional duration of display of the temporary sign will not unreasonably effect or detract from neighboring property.~~

~~(B) The additional duration of display of the temporary sign will not adversely effect, deter or distract the motoring public on adjacent streets or highways.]~~

(h) If one or more required findings for the approval of variance applications under subsection (g) is for any reason held invalid, such invalidation shall cause § 2.85.04(g) as a whole to be invalid until amended. The City Council declares that, if one or more of its variance

criteria are invalid, it would have adopted the standard or requirement from which a variance was sought without causing variances to become easier to obtain.

([h]i) Recording. A certified copy of the resolution approving a zoning variance must be recorded with the county.

([i]j) Expiration. See § 19.23.01 of the city code.

([j]k) Use variance prohibited. No variance may be granted that would allow any use that is not allowed in the zoning district in which the subject property is located.

([k]l) Content. Zoning variance applications must include the following information, unless exempted by the Planning Manager:

(1) An application form and the signed consent of the property owner(s) or authorized representative.

(2) The required application fee as set forth in City Code Appendix A.

(3) Written documentation that includes:

(A) A complete project description;

(B) Specific provisions of the Zoning Code involved and the variance request details; and

(C) Why and how the request meets each of the variance findings in subsection (g) above.

(4) Scaled floor plan, site plan, and building elevations (where applicable).

(5) Certified survey showing the existing conditions on the property (if setback related).

([l]m) Notice. In addition to the notice requirements set forward in city code § 21.502.01, if the application pertains to a variance within the Floodplain District, notice shall also be given to the Minnesota Department of Natural Resources at least ten days prior to the date of the hearing.

Section 3. That Chapter 12 of the City Code is hereby amended by deleting those words that are contained in brackets [] with ~~striktethrough~~ text and adding those words that are underlined, to read as follows:

CHAPTER 12: ADMINISTRATION

ARTICLE I: GENERAL PROVISIONS

§ 12.01.01 DEFINITIONS.

When used in this chapter, the following words, terms and phrases shall have the following meanings, unless the context clearly indicates otherwise.

NUISANCE SERVICE CALL. Public officer response to a verified incident of any activity, conduct or condition occurring on private property that is likely to unreasonably interfere with the quiet enjoyment of neighboring properties or the safety, health, morals, welfare, comfort or repose of the residents therein or misuse city resources, including without limitation:

(37) Failure to properly store brush on private property in violation of § 10.38(b);

(38) Failure to comply with ~~[sign regulations per Chapter 19, Article X]~~Chapter 21, Article III, Division D, the sign code; and

(39) Failure to comply with the animal noise regulations in violation of § 12.99 of this city code.

ARTICLE II: NUISANCE CONDUCT AND CONDITIONS

DIVISION A: PUBLIC NUISANCE PROPERTY CONDITIONS

§ 12.03 PROPERTY CONDITIONS CONSTITUTING A PUBLIC NUISANCE OR PUBLIC HEALTH NUISANCE.

The following property conditions are declared to be nuisances affecting public peace, welfare and safety (“public nuisance” or “public health nuisance”):

(1) All snow and ice not removed from public sidewalks within 12 hours after the snow and ice has ceased to be deposited thereon;

(34) Grading, filling, excavating, storing, stockpiling, or disposing of earth material or performing other land disturbing or land filling activity without first implementing approved measures to prevent or control erosion affecting neighboring properties, drainage, or water resources;~~and~~

(35) Failure to adequately maintain stormwater best management practices that function as part of a permanent stormwater management facility~~[-];~~and

(36) Abandoned or unlawful signs, as defined in § 21.304.07.

Section 4. That Chapter 14 of the City Code is hereby amended by deleting those words that are contained in brackets [] with ~~striketrough~~ text and adding those words that are underlined, to read as follows:

CHAPTER 14: LICENSES AND PERMITS

ARTICLE VII: SIGN PERMITS AND LICENSES

§ 14.552 DEFINITIONS.

The definitions of § ~~[19.104]~~21.304.07 ~~[of this code]~~ shall apply to this Article VII.

§ 14.553 SIGN PERMIT REQUIRED.

A sign permit shall be required to erect, alter, relocate or construct a sign not exempt from the requirements of obtaining a sign permit in § ~~[19.105]~~21.304.12 or § 21.304.13(b)~~[of this code]~~.

§ 14.554 SIGN PERMIT APPLICATION.

(c) *Building identification signs.* An application for a building identification sign shall include shop drawing(s), building elevation (to scale with dimensions) for all wall signs including the proposed sign, lease lines (if appropriate), surrounding tenant sign information (if applicable for a ~~[Uniform]~~Comprehensive Sign Plan~~[Design]~~), and projection.

§ 14.557 PERMIT FEES.

The fee for a sign permit under this Article VII shall be as detailed in ~~[§ 21.502.01]~~Appendix A of this code and shall be submitted with the permit application.

Section 5. That Chapter 17 of the City Code is hereby amended by deleting those words that are contained in brackets [] with ~~strikethrough~~ text and adding those words that are underlined, to read as follows:

CHAPTER 17: STREETS AND RIGHTS-OF-WAY

ARTICLE III: MASTER STREET NAMING AND NUMBERING SYSTEM

§ 17.60.02 LOCATION.

The assigned street address number must be posted as follows:

(1) On that part of the principal building that faces the main public access road;

(3) At the primary driveway entrance adjoining the main public access road on a sign, post or mailbox so as to be visible from both directions of travel, in those cases where the principal building is situated on the property in a manner or at a distance that makes the posted address thereon inconspicuous or illegible from the nearest main public access road. Where the address

is posted on a sign, that sign must be in compliance with all applicable regulations, including [city code § 19.105(c)(16)]21.304.12(a)(14);

ARTICLE V: PUBLIC PEDESTRIAN BRIDGE AND SKYWAY CONDUCT

§ 17.93 ADVERTISING AND EXTERIOR SIGNS.

Except for code of conduct and hours of operation signs, any sign placed inside or on the exterior of a public pedestrian bridge or skyway shall conform to [the sign regulations set forth in]Chapter 21[19], Article III[X], Division D, [of]the sign[city] code.

Section 6. That Chapter 19 of the City Code is hereby amended by deleting those words that are contained in brackets [] with ~~strike through~~ text and adding those words that are underlined, to read as follows:

CHAPTER 19: ZONING

ARTICLE I: GENERAL PROVISIONS

DIVISION B: DEFINITIONS

§ 19.03 DEFINITIONS.

ARTISAN SHOP. A retail store selling art works and other handcrafted items where the facility includes an area, not to exceed 25% of the total shop floor area, for the crafting of the items being sold.

ARTS AND CRAFTS FESTIVAL. An association of two or more handcraft vendors who assemble at a defined location primarily for the purpose of selling directly to the consumer their arts of crafts.

AUAR or ALTERNATIVE URBAN AREAWIDE REVIEW. An alternative form of environmental review to determine impacts within a defined area as detailed in Minnesota Rules 4410.3610. The content and format of an AUAR is similar to that of an EAW, but provides for a level of analysis comparable to that of an EIS.

BERM. An earthen mound designed to provide visual interest, screen undesirable view and/or decrease noise.

BILLBOARD. An[y] outdoor, off-site advertising sign with a sign[which has an] area greater than[exceeding] 150 square feet.

BOARDING HOUSE. A dwelling unit where lodging with or without meals is provided for compensation and occupied by five or more adult individuals. (See **FAMILY**.)

PRODUCT DESIGN, DEVELOPMENT AND TESTING. The indoor design, development and/or testing of products in an office and/or laboratory environment without manufacturing.

PROPERTY OWNER. The legal owner of the property as officially recorded by the county.

PROTECTED RESIDENTIAL PROPERTY. Any property within the city that is:

- (A) Used or subdivided for single-family, two-family, townhome or rowhome residential uses;
- (B) Zoned residentially; and
- (C) Guided residentially by the Comprehensive Plan.

PUBLIC ART. Any visual work of art, accessible to public view, including, but not limited to, sculptures, statues, murals, monuments, frescoes, fountains, paintings, stained glass or ceramics, and which does not contain advertising.

PUBLIC GOVERNMENT USE. A use approved by a local government council or board, which was elected by the citizens in and of which had local taxing authority.

PUBLIC RIGHT-OF-WAY. The planned right-of-way for a public street in accordance with the most recently adopted Master Street Plan of the city.

PUBLIC UTILITY. Persons, corporations or governments supplying gas, electric, transportation, water, sewer or land line telephone service to the general public. For the purpose of this chapter, commercial wireless telecommunication service facilities shall not be considered public utility uses, and are defined separately.

SHRUB. A low, usually several stemmed, woody plant.

SIGN~~[, ADVERTISING]~~. A display, illustration, structure, or device with a visual display designed to identify, announce, direct, or inform. The scope of the term "sign" does not depend on the content of the message, the ideas expressed, or the image being conveyed~~[sign which is a principal use and which directs attention to a business commodity, service or entertainment conducted, sold or offered elsewhere than upon the premises where such sign is located].~~

SIGNIFICANT NATURAL WOODED AREA. A grouping or cluster of evergreen and/or deciduous trees with a contiguous crown cover, occupying 5,000 or more square feet that are comprised primarily of deciduous trees no less than four caliper inches in diameter or evergreen trees no less than six feet in height, which are not listed on the city's list of prohibited plants.

ARTICLE III: ZONING DISTRICT MAP, ZONING DISTRICTS AND DISTRICT USES

§ 19.29 HIGH INTENSITY MIXED USE WITH RESIDENTIAL (HX-R) DISTRICT.

(p) Sign regulations. Refer to ~~[Article X of this chapter]~~Chapter 21, Article III, Division D, the sign code.

§ 19.31.01 REGIONAL COMMERCIAL (CR-1) DISTRICTS.

(j) *Sign regulations.* Refer to [~~Article X of this chapter~~]Chapter 21, Article III, Division D, the sign code.

§ 19.38.01 PLANNED DEVELOPMENT (PD) OVERLAY DISTRICTS.

(c) *Flexibility in standards.* Within the Planned Development Overlay District, the City Council may grant flexibility on development standards through the approval of preliminary and final development plans, subject to the following limitations and when such flexibility provides public benefit and meets the intent of the overlay district. Flexibility may not be granted that:

(6) Deviates from any of the requirements of [~~Article X of this chapter regulating signs~~]Chapter 21, Article III, Division D, the sign code, except:

(A) The location of freestanding signs on the site;

(B) In Class II, III, [~~IV~~]and V sign districts, not more than 20% of the sign area allowed on any wall may be applied to increase the allowed sign area on any other wall, provided that the increased signage on any wall does not exceed the permitted area of signage by more than 40% of the area allowed on that wall by the regulations for the sign district; and

(C) In Class II, III, IV, and V [~~and VI~~]sign districts, the number of freestanding signs may be increased so long as the total area of the proposed signs does not exceed the total area of the freestanding signs of the same type permitted in the sign district.

ARTICLE IIIA: ADDITIONAL ZONING DISTRICTS

§ 19.40.07 COMMERCIAL SERVICE DISTRICTS CS-0.5 AND CS-1.

(j) *Sign regulations.* Refer to [~~Article X of this chapter~~]Chapter 21, Article III, Division D, the sign code.

§ 19.40.08 COMMERCIAL OFFICE DISTRICT CO-1.

(j) *Sign regulations.* Refer to [~~Article X of this chapter~~]Chapter 21, Article III, Division D, the sign code.

§ 19.40.09 RESIDENTIAL OFFICE DISTRICTS RO-24 AND RO-50.

(i) *Sign regulations.* Refer to ~~[Article X of this chapter]~~Chapter 21, Article III, Division D, the sign code.

§ 19.40.10 CONSERVATION DISTRICT SC.

(i) *Sign regulations.* Refer to ~~[Article X of this chapter]~~Chapter 21, Article III, Division D, the sign code.

ARTICLE VI: RESERVED[BILLBOARDS]

§ 19.64 RESERVED.

§ 19.65 RESERVED.

§ 19.66 BILLBOARDS.

~~(a) *Purpose, intent and findings.*~~

~~Billboards are prohibited in all districts and any billboards legally in existence on August 6, 2009, shall have the status of a nonconforming use under M.S. § 462.357, subd. 1e, as it may be amended from time to time. With respect to these nonconforming billboards, the standards of this Article VI and state law apply. The City Council finds it necessary for the promotion and preservation of the public health, safety, welfare and aesthetics of the community that the construction, location, size, conspicuity, brightness, legibility, operational characteristics and maintenance of billboards be controlled. Billboards have a direct and substantial impact on traffic safety, pedestrian safety, community aesthetics and property values. The City Council recognizes that a great percentage of billboards that are blighted, unattractive or provide an unsafe distraction to motorists can be corrected by sensible quality control through adequate maintenance, inspection and operational guidelines. With respect to electronic billboards, the City Council finds that they are highly visible from long distances and at very wide viewing angles both day and night and are designed to catch the eye of persons in their vicinity and hold it for extended periods of time. If left uncontrolled, electronic billboards constitute a serious traffic safety threat. Studies conducted by the Federal Highway Administration (FHWA), *Research Review of Potential Safety Effects of Electronic Billboards on Driver Attention and Distraction*, September 11, 2001 and *The Role of Driver Inattention in Crashes: New Statistics from 1995*; the University of North Carolina Highway Safety Research Center, *Distractions in Everyday Driving*, May 2003 and *The Role of Driver Distraction in Traffic Crashes*, May 2001; the Wisconsin Department of Transportation, *Synthesis Report of Electronic Billboards and Highway Safety*, June 10, 2003; the Municipal Research and Services Center of Washington, *Sign Control Provisions*, Jan. 2006; and the Veridan Group, *Video Signs in Seattle*, Gerald Wachtel, May 2001, reveal that electronic signs, including billboards, are highly distracting to drivers and that driver distraction continues to be a significant underlying cause of traffic accidents.~~

~~The City Council intends by this section of the city code to establish a legal framework for billboard regulation in the city. The regulations promulgated in this Article VI are intended to facilitate an easy and agreeable communication between people while protecting and promoting the public health, safety, welfare and aesthetics of the community. It is not the purpose or intent~~

~~of this section of the city code to prefer or favor commercial messages or speech over noncommercial messages or speech or to discriminate between types of noncommercial speech or the viewpoints represented therein. The owner of any billboard which is otherwise allowed by this section of city code may substitute noncommercial copy or message in lieu of any other commercial or noncommercial sign copy or message without any additional approval or permitting subject to the operational standards set forth herein. The purpose of this provision is to prevent any inadvertent favoring of commercial speech or message over noncommercial speech or message. This provision prevails over any more specific provision to the contrary. The purposes of the regulations promulgated in this section include:~~

~~(1) To eliminate potential hazards to motorists and pedestrians using public streets, sidewalks and rights-of-way;~~

~~(2) To safeguard and enhance property values;~~

~~(3) To control nuisances;~~

~~(4) To protect government investments in public buildings, streets, sidewalks, traffic control and utility devices, parks and open spaces;~~

~~(5) To preserve and improve the appearance of the city through adherence to aesthetic principles, in order to create a community that is attractive to residents and to nonresidents who come to live, visit, work or trade;~~

~~(6) To eliminate excessive and confusing sign displays;~~

~~(7) To implement the city's Comprehensive Plan;~~

~~(8) To encourage signs which by their design are integrated with and harmonious to the surrounding environment and the buildings and sites they occupy;~~

~~(9) To promote the public health, safety and general welfare; and~~

~~(10) To provide for fair and consistent enforcement of the regulations set forth herein.~~

~~(b) *Nonconforming billboards in existence on August 6, 2009, in all districts.*~~

~~(1) A **BILLBOARD** is defined as any advertising sign which has an area exceeding 150 square feet.~~

~~(2) Billboards must be erected on single poles and must be maintained in a structurally sound condition free from decay and warping, cracked and peeling paint or sign copy, and rusting or deteriorating materials.~~

~~(3) No animation is permitted on billboards.~~

~~(4) Billboards must be landscaped around the base of the signs and the grounds immediately adjacent to the billboard so that all soils are stabilized with established plant or xeriscaping materials and those plant materials must be kept mowed and otherwise appropriately maintained, except where impervious surface exists in that area.~~

~~(5) Billboards must be located so as not to obstruct any existing business or sign.~~

~~(6) A billboard need not be a principal use.~~

~~(7) A sign permit, in addition to any other necessary permit, must be obtained by the property owner from the issuing authority whenever the cost of any billboard repair, restoration, improvement, maintenance or replacement exceeds 50% of its market value as indicated in the~~

records of the City Assessor immediately prior to the time of repair, maintenance, replacement, restoration or improvement work.

~~(8) The application for a permit under subsection (b)(7) above must be signed by the owner of the property and show the proposed location, height, dimensions, location, materials, design and manner of construction of the proposed repair, maintenance, replacement, restoration or improvement, and the landscaping in the area of the proposed billboard.~~

~~(9) No billboard may be enlarged, expanded, intensified to any extent, and those terms mean any increase in a dimension, size, area, volume or height, any increase in the area of use, any placement of a structure or sign face or part thereof where none existed before, any addition of a site feature such as a walkway, louvers or other mechanical equipment, or any increase in intensity of use based on a review of the original nature, function or purpose of the billboard except in strict compliance with the requirements of this Article VI and § 21.504(c)(2) of the city code.~~

~~(10) A sign permit under subsection (b)(7) above shall be granted by the issuing authority upon proper application by the property owner if the plans set forth therein do not include any unpermitted enlargement of the billboard and are in compliance with the standards set forth in this section.~~

~~(11) No billboard structure may contain more than two signs per facing.~~

~~(12) The maximum height of any portion of the sign, including sign face and trim and extensions, must not exceed 40 feet above grade.~~

~~(13) The maximum length of any sign, including trim and extensions, must not exceed 50 feet.~~

~~(14) No billboard shall be erected on or above the roof of any building.~~

~~(15) No billboard or portion thereof may turn on an axis, rotate, revolve or otherwise physically move.~~

~~(16) The maximum depth of each sign face must be measured from the outside, back to front, of each display panel surface and must not exceed two feet.~~

~~(17) The copy area for each sign face must be limited to the basic 14-foot by 48-foot panel with no copy, projection or extension to the top, sides or bottom of either panel unless an extension was previously approved for that billboard on or before August 6, 2009.~~

~~(18) Electronic display techniques include any portion of a billboard that contains alphanumeric characters, graphics or symbols defined by a small number of matrix elements using different combinations of light emitting diodes (LEDs), fiber optics, light bulbs or other illumination device within the display area, including computer programmable, microprocessor controlled electronic displays and projected images or messages with these characteristics onto the sign face.~~

~~(19) Any billboard utilizing electronic display techniques in whole or in part must meet the following operational standards.~~

~~(A) *Duration.* In all districts the full billboard image or any portion thereof must have a minimum duration of 20 minutes and must be a static display. No portion of the image may flash, scroll, twirl, change color, in any manner imitate movement, or meet the characteristics of a flashing sign as defined in § 19.104.~~

~~(B) *Transition.* In all districts where the full billboard image or any portion thereof changes, the change sequence must be accomplished by means of instantaneous re-pixelization;~~

~~(C) *Brightness.* The sign must not exceed a maximum illumination of 5,000 nits (candelas per square meter) during daylight hours and a maximum illumination of 500 nits (candelas per square meter) between dusk to dawn as measured from the sign's face at maximum brightness.~~

~~(D) *Dimmer control.* Electronic graphic display signs must have an automatic dimmer control to produce a distinct illumination change from a higher illumination level to a lower level for the time period between one-half hour before sunset and one-half hour after sunrise.~~

~~(E) *Audio or pyrotechnics.* Audio speakers or any form of pyrotechnics as defined in § 19.104 are prohibited in association with a billboard.~~

~~(F) *Fluctuating or flashing illumination.* No portion of any billboard may fluctuate in light intensity or use intermittent, strobe or moving light or light that changes in intensity in sudden transitory bursts, streams, zooms, twinkles, sparkles or in any manner creates the illusion of movement.~~

~~(G) *Video display.* No portion of any billboard may change its message or background in a manner or by a method of display characterized by motion or pictorial imagery, or depicts action or a special effect to imitate movement, or the presentation of pictorials or graphics displayed in a progression of frames that give the illusion of motion or the illusion of moving objects, moving patterns or bands of light or expanding or contracting shapes.~~

§ 19.66.01 SEVERABILITY.

~~If any division, section, subsection, sentence, clause or phrase of this Article VI is for any reason held to be invalid, such decision does not affect the validity of the remaining portion of this Article VI. The City Council hereby declares that it would have adopted the Article VI in each division, section, subsection, sentence, clause or phrase thereof, irrespective of the fact that any one or more divisions, sections, subsections, sentences, clauses, or phrases be declared invalid.~~

§ 19.66.02 PENALTY.

~~A violation of this Article VI shall be a misdemeanor under state law. Civil administrative penalties shall be subject to assessment against the property pursuant to § 12.15 of the City Charter and § 1.19 of the city code. However, nothing herein shall be construed to limit the city's other available legal remedies including without limitation the revocation and suspension of any city issued license or permit associated with the property or civil injunctive actions. In addition, violations or failure to pay civil fines may result in future license or permit ineligibility.]~~

ARTICLE X: RESERVED[SIGN REGULATIONS

DIVISION A: PURPOSE AND APPLICATION

§ 19.100 FINDINGS, PURPOSE AND INTENT.

~~The City Council finds it necessary for the promotion and preservation of the public health, safety, welfare and aesthetics of the community that the construction, location, size, conspicuity, brightness, legibility, operational characteristics and maintenance of signs be controlled. Signs have a direct and substantial impact on traffic safety, pedestrian safety, community aesthetics~~

and property values. The City Council recognizes that a great percentage of signs that are blighted, unattractive or provide an unsafe distraction to motorists can be corrected by sensible quality control through adequate maintenance, inspection and operational guidelines. The City Council also recognizes that signs provide a guide to the physical environment and, as such, serve an important function to the community and economy. With respect to electronic signs, including video display signs, the City Council finds that they are highly visible from long distances and at very wide viewing angles both day and night and are designed to catch the eye of persons in their vicinity and hold it for extended periods of time. If left uncontrolled, electronic signs, including video display signs, constitute a serious traffic safety threat. Studies conducted by the Federal Highway Administration (FHWA), *Research Review of Potential Safety Effects of Electronic Billboards on Driver Attention and Distraction*, September 11, 2001 and *The Role of Driver Inattention in Crashes: New Statistics from 1995*; the University of North Carolina Highway Safety Research Center, *Distractions in Everyday Driving*, May 2003 and *The Role of Driver Distraction in Traffic Crashes*, May 2001; the Wisconsin Department of Transportation, *Synthesis Report of Electronic Billboards and Highway Safety*, June 10, 2003; the Municipal Research and Services Center of Washington, *Sign Control Provisions*, January 2006; the Veridan Group, *Video Signs in Seattle*, Gerald Wachtel, May 2001, reveal that electronic signs are highly distracting to drivers and that driver distraction continues to be a significant underlying cause of traffic accidents.

The City Council intends by this Article X of the city code to establish a legal framework for sign regulation in the city. The regulations promulgated in this Article X are intended to facilitate an easy and agreeable communication between people while protecting and promoting the public health, safety, welfare and aesthetics of the community. It is not the purpose or intent of this Article X of the city code to prefer or favor commercial messages or speech over noncommercial messages or speech or to discriminate between types of noncommercial speech or the viewpoints represented therein.

Therefore, the purpose of the sign regulations promulgated in this Article X is:

- (a) To eliminate potential hazards to motorists and pedestrians using the public streets, sidewalks and rights-of-way;
- (b) To safeguard and enhance property values;
- (c) To control nuisances;
- (d) To protect government investments in public buildings, streets, sidewalks, traffic control and utility devices, parks and open spaces;
- (e) To preserve and improve the appearance of the city through adherence to aesthetic principles, in order to create a community that is attractive to residents and to nonresidents who come to live, visit, work or trade;
- (f) To eliminate excessive and confusing sign displays;
- (g) To implement the city's Comprehensive Plan;
- (h) To encourage signs which by their design are integrated with and harmonious to the surrounding environment and the buildings and sites they occupy; and
- (i) To promote the public health, safety and general welfare.

§ 19.101 APPLICATION OF REGULATIONS AND SUBSTITUTION CLAUSE.

~~This Article X shall apply to the location, erection and maintenance of signs in all zoning districts within the city. The owner of any sign which is otherwise allowed by this Article X of city code may substitute noncommercial copy or message in lieu of any other commercial or noncommercial sign copy or message without any additional approval or permitting subject to the operational standards set forth herein. The purpose of this provision is to prevent any inadvertent favoring of commercial speech or message over noncommercial speech or message. This provision prevails over any more specific provision to the contrary.~~

~~DIVISION B: CONSTRUCTION OF LANGUAGE AND DEFINITIONS~~

~~§ 19.102 CONSTRUCTION OF LANGUAGE.~~

~~The language of this Article X shall be interpreted in accordance with the following regulations:~~

~~(a) The particular shall control the general.~~

~~(b) In the case of any difference of meaning or implication between the text of this Article X and any illustration or diagram, the text shall control.~~

~~(c) The word "shall" is always mandatory and not discretionary. The word "may" is permissive.~~

~~(d) Words used in the present tense shall include the future; and words used in the singular number shall include the plural, and the plural the singular, unless the context clearly indicates otherwise.~~

~~(e) A "building" or "structure" includes any part thereof.~~

~~(f) The phrase "used for" includes "arranged for," "designed for," "intended for," "maintained for" or "occupied for."~~

~~(g) Unless the context clearly indicates otherwise, where a regulation involves two or more items, conditions, provisions or events connected by the conjunction "and," "or" or "either...or," the conjunction shall be interpreted as follows:~~

~~—(1) "And" indicates that all the connected items, conditions, provisions or events shall apply.~~

~~—(2) "Or" indicates that the connected items, conditions, provisions, or events may apply singly or in any combination.~~

~~—(3) "Either...or" indicates that all the connected items, conditions, provisions or events shall apply singly but not in combination.~~

~~§ 19.103 SEVERABILITY.~~

~~If any section, subsection, sentence, clause or phrase of this Article X is for any reason held to be invalid, such decision shall not affect the validity of the remaining portions of this Article X. The City Council hereby declares that it would have adopted the Article X in each section, subsection, sentence or phrase thereof, irrespective of the fact that any one or more sections, subsections, sentences, clauses or phrases be declared invalid.~~

~~§ 19.104 DEFINITIONS.~~

~~The following words and terms, when used in this Article X, shall have the following meanings, unless the context clearly indicates otherwise.~~

—~~**ACCESS DOOR SIGN.**~~ A sign placed on an accessory door, which serves to identify a business access.

—~~**ARTS-RELATED SIGN.**~~ A type of wall graphic that displays non-commercial images or text that are generally appreciated primarily for their imaginative, aesthetic or intellectual content.

—~~**AWNING.**~~ A roof-like cover, often of fabric, plastic, metal or glass designed and intended for protection from the weather or as a decorative embellishment, and which projects from a wall or roof of a structure primarily over a window, walk or the like. Any part of an ~~**AWNING**~~ which also projects over a door shall be counted as an ~~**AWNING**~~.

—~~**AWNING SIGN.**~~ A building sign or graphic printed on or in some fashion attached directly to the awning material. See § 19.126.1 for graphic illustration.

—~~**BALLOON SIGN.**~~ A temporary sign consisting of a bag made of lightweight material supported by helium, hot or pressurized air which is greater than 24 inches in diameter. Inflatables are considered ~~**BALLOON SIGNS**~~.

—~~**BANNER.**~~ Any temporary sign of lightweight fabric or similar material mounted to a pole or a building at one or more edges. Flags, as defined herein, shall not be considered ~~**BANNERS**~~. See § 19.126.2 for graphic illustration.

—~~**BOUTIQUE SALE.**~~ The sale of handmade items created by the person residing on the premises. May also include several persons, including the person residing on the premises, selling their handmade items. A ~~**BOUTIQUE SALE**~~ does not include the sale of commercial merchandise.

—~~**BOUTIQUE SALE SIGN.**~~ Any temporary sign which identifies and announces a boutique sale.

—~~**BUILDING.**~~ Any structure used or intended for supporting or sheltering any use or occupancy.

—~~**BUILDING MARKER.**~~ Memorial signs or tablets, names of buildings and date of erection when cut into any masonry surface or inlaid so as to be part of the building or when constructed of bronze or other noncombustible material.

—~~**BUILDING SIGN.**~~ Any sign attached or supported by any structure used or intended for supporting or sheltering any use or occupancy.

—~~**CABINET SIGN.**~~ Any wall sign that is not of channel or individually mounted letter construction.

—~~**CANOPY.**~~ A roof-like cover, often of fabric, plastic, metal or glass on a support, which provides shelter over a doorway.

—~~**CANOPY, SERVICE AREA.**~~ See ~~**SERVICE AREA CANOPY**~~.

—~~**CANOPY SIGN.**~~ Any sign that is part of or attached to a canopy, made of fabric, plastic or structural protective cover over a door or entrance. A canopy sign is not a marquee and is different from service area canopy signs. See § 19.126.1 for graphic illustration.

—~~**CANOPY SIGN, SERVICE AREA.**~~ See ~~**SERVICE AREA CANOPY SIGN**~~.

—~~**CHANGEABLE COPY SIGN.**~~ A sign or portion thereof which has a readerboard for the display of text information in which each alphanumeric character, graphic or symbol is defined by objects, not consisting of an illumination device and may be changed or re-arranged manually or mechanically with characters, letters or illustrations that can be changed or rearranged without altering the face or the surface of the sign.

—~~**CHANGEABLE COPY SIGN, ELECTRONIC.**~~ A sign or portion thereof that displays electronic, non-pictorial, text information in which each alphanumeric character, graphic or symbol is defined by a small number of matrix elements using different combinations of light emitting diodes (LEDs), fiber optics, light bulbs or other illumination devices within the display area. ~~**ELECTRONIC CHANGEABLE COPY SIGNS**~~ include computer programmable, microprocessor controlled electronic displays. ~~**ELECTRONIC CHANGEABLE COPY SIGNS**~~ do not include official or time and temperature signs. ~~**ELECTRONIC CHANGEABLE COPY SIGNS**~~ include projected images or messages with these characteristics onto buildings or other objects.

—~~**CHANNEL SIGN.**~~ Individually shaped three dimensional letters and symbols that can be mounted onto a building or raceway.

—~~**CONSTRUCTION SIGN.**~~ A temporary sign erected on the premises on which construction is taking place, during the period of such construction, indicating the names of the architects, engineers, landscape architects, contractors or similar artisans, and/or the owners, financial supporters, sponsors and similar individuals or firms having a role or interest with respect to the structure or project.

—~~**CONVENIENCE FACILITY WITH FUEL SALES.**~~ Any building, land area or other premises or portion thereof, used for the retail dispensing or sales of vehicular fuels, whether as the principal or accessory use.

—~~**DIRECTIONAL SIGN.**~~ Any sign which serves solely to designate the direction of any place or area and, as such, shall be located on the same lot as said place or area. Examples include “entrance” and “exit” signs.

—~~**DISCONTINUED SIGN.**~~ Any sign and/or its supporting sign structure which remains without a message or whose display surface remains blank for a period of one year or more, or any sign which pertains to a time, event or purpose which no longer applies, shall be deemed to have been discontinued. Permanent signs applicable to a business temporarily suspended because of a change in ownership or management of such business shall not be deemed discontinued unless the property remains vacant for a period of one year or more. Any sign remaining after demolition of a principal structure shall be deemed to be discontinued. Signs which are present because of being legally established nonconforming signs or signs which have required a conditional use permit or a variance shall also be subject to the definition of ~~**DISCONTINUED SIGN.**~~

—~~**ELECTRONIC GRAPHIC DISPLAY SIGN.**~~ A sign or portion thereof that displays electronic, static images, static graphics or static pictures, with or without information, defined by a small number of matrix elements using different combinations of light emitting diodes (LEDs), fiber optics, light bulbs or other illumination devices within the display area where the message change sequence is accomplished immediately or by means of fade, repixelization or dissolve modes. ~~**ELECTRONIC GRAPHIC DISPLAY SIGNS**~~ include computer programmable, microprocessor controlled electronic or digital displays. ~~**ELECTRONIC GRAPHIC DISPLAY SIGNS**~~ include projected images or messages with these characteristics onto buildings or other objects.

—~~**ELEVATION.**~~ The view of the side, front or rear of a given structure(s).

—~~**ELEVATION AREA.**~~ The area of all walls that face any lot line.

—~~**ERECT.**~~ Activity of constructing, building, raising, assembling, placing, affixing, attaching, creating, painting, drawing or any other way of bringing into being or establishing.

—~~**ESTATE SALE.**~~ See ~~**GARAGE SALE.**~~

—**EVENTS.** Public or private social occasions for entertainment purposes, which attract gatherings of people such as parades, concerts, festivals, races, circuses, fairs, athletic events or celebrity appearances.

—**FLAG.** Any fabric or similar lightweight material attached at one end of the material, usually to a staff or pole, so as to allow movement of the material by atmospheric changes and which contains distinctive colors, patterns, symbols, emblems, insignia or other symbolic devices.

—**FLAG, COMMERCIAL.** Flags with graphic or text representations which display business names or logos, product logos and other promotional or commercial messages.

—**FLAG, NONCOMMERCIAL.** Flags which display the name, insignia, emblem of any nation, state, municipality or similar type of organization including civilian service, historical, international, military, religious, bona fide civic, fraternal or welfare organizations. **NONCOMMERCIAL FLAGS** are also flags with no graphic or text representations.

—**FLASHING SIGN.** A directly or indirectly illuminated sign or portion thereof that exhibits changing light or color effect by any means, so as to provide intermittent illumination that changes light intensity in sudden transitory bursts and creates the illusion of intermittent flashing light by streaming, graphic bursts showing movement or any mode of lighting which resembles zooming, twinkling or sparkling.

—**FREESTANDING SIGN.** Any sign which has supporting framework that is placed on, or anchored in, the ground and which is independent from any building or other structure.

—**FRONTAGE.** The line of contact of a property with the public right-of-way.

—**GARAGE SALE.** Sale of personal items no longer wanted by the persons residing on the premises of a sale. May also be several households selling their personal items. A **GARAGE SALE** does not include the sale of commercial merchandise.

—**GARAGE SALE SIGN.** Any temporary sign which identifies and announces a garage yard or estate sale.

—**GRADE.** The final ground elevation after construction. Earth mounding criteria for landscaping and screening is not part of the **FINAL GRADE** for sign height computation.

—**GROUND SIGN.** Any freestanding sign with its sign face mounted on the ground or mounted on a base at least as wide as the sign and which has a total height not exceeding eight feet. See § 19.126 for graphic illustration.

—**HEIGHT OF SIGN.** Computed as the vertical distance measured from the base of the sign at grade to the top of the highest attached component of the sign.

—**HISTORIC OR COMMEMORATIVE PLAQUE.** Any building sign indicating the name of a building, the date of erection and incidental information about its construction and which is cut into a masonry surface or made of bronze or other permanent material.

—**HOME IMPROVEMENT SIGN.** Any temporary sign which identifies and announces the construction company responsible for the home improvement of the property.

—**HOTEL, MOTEL, MOTOR HOTEL.** Any building or combination of buildings containing six or more rooms used for sleeping purposes by guest on a transient basis.

—**IDENTIFICATION SIGN.** Any sign which is used to distinguish a site as determined by the owner or agent of the site.

—**ILLUMINATED SIGN.** Any sign which contains an element designed to emanate artificial light internally or externally.

—**INCIDENTAL SIGN.** A sign that has a purpose secondary to the use of the lot on which it is located, such as “telephone,” “drive-up window,” “cash machine,” “air” and other similar directives. Also see **DIRECTIONAL SIGN** and **TRAFFIC CONTROL SIGN**.

—**INTERIOR SIGN.** A sign which is located more than six feet from a window or door (including a garage door) within the interior of any building, or within an enclosed lobby or court of any building, or within a parking ramp not visible from any existing or planned public or private street or a sign for and located within the inner or outer body, court or entrance of any theater. **INTERIOR SIGNS** differ from window signs in that their placement within the structure does not appear calculated to be visible from the exterior of a building.

—**ISSUING AUTHORITY.** The City of Bloomington Department of Community Development.

—**LEGALLY ESTABLISHED NONCONFORMING SIGN.** Any sign and its support structure lawfully erected prior to the effective date of this Article X which fails to conform to the requirements of this Article X. A sign which was erected in accordance with a variance granted prior to the adoption of this Article X and which does not comply with this Article X shall be deemed to be a legal nonconforming sign. A sign which was unlawfully erected shall be deemed to be an illegal sign.

—**LOGO.** A graphic depiction of any brand name, trademark, logo, distinctive symbol or other similar device or thing used to identify a particular business, institution, activity, place, person, product or service.

—**MARQUEE.** Any permanent roof-like structure projecting beyond a theater building or extending along and projecting beyond the wall of that building, generally designed and constructed to provide protection from the weather.

—**MARQUEE SIGN.** Any building sign painted, mounted, constructed or attached in any manner, on a marquee. See § 19.126.1 for graphic illustration.

—**MESSAGE CENTER.** See **CHANGEABLE COPY SIGN**.

—**MONUMENT SIGN.** Any freestanding sign with its sign face mounted on the ground or mounted on a base at least as wide as the sign and which has a height exceeding eight feet. See § 19.126 for graphic illustration.

—**MULTIPLE TENANT SITE.** Any site which has more than one tenant, and each tenant has a separate ground level exterior public entrance.

—**MULTI-VISION SIGN.** Any sign composed in whole or in part of a series of vertical or horizontal slats or cylinders that are capable of being rotated at intervals so that partial rotation of the group of slats or cylinders produces a different image and when properly functioning allows on a single sign structure the display at any given time one of two or more images.

—**NAME PLATE.** Any sign which identifies the residential property.

—**NEIGHBORHOOD SIGN.** A permanent sign designed to identify a residential subdivision.

—**OFFICIAL SIGNS AND NOTICES.** Signs and notices erected and maintained by public officers or public agencies within their territorial jurisdiction and pursuant to and in accordance with direction or authorization contained in federal, state or local law for the purposes of carrying out an official duty or responsibility. Historical markers authorized by state law and erected by

state or local governmental agencies or nonprofit historical societies and star city signs erected under § 173.025 may be considered official signs.

—~~**OFF-SITE ADVERTISING SIGN.**~~ A graphic or message advertising or identifying a product, service, brand, business or activity not regularly sold, located or conducted on the site where the sign is located.

—~~**ON-SITE ADVERTISING SIGN.**~~ A graphic and/or message advertising or identifying a product, service, brand, business or activity sold, located or conducted on the site where the sign is located. A sponsorship agreement does not qualify a sign as an on-site sign.

—~~**OPAQUE SIGN FACE.**~~ The nontransparent face for an internally illuminated sign. Illumination shall be emitted only for the name, trademark, logo, distinctive symbol or other similar device, thing or text used to identify a particular business, institution, activity, place, person, product or service.

—~~**PARAPET (WALL).**~~ The portion of building wall that rises above the roof level.

—~~**PERMANENT SIGN.**~~ A non-temporary sign designed and intended for long-term use.

—~~**POLE SIGN.**~~ See ~~**PYLON SIGN.**~~

—~~**POLITICAL SIGN.**~~ Any sign posted by a person or group promoting a political issue or a candidate for political office or commenting on issues or promoting opinions.

—~~**PORTABLE SIGN.**~~ Any sign which is manifestly designed to be transported, including by trailer or on its own wheels, even though the wheels of such sign may be removed and the remaining chassis or support is converted to another sign or attached temporarily or permanently to the ground since this characteristic is based on the design of such a sign. Banners attached to a building, to a permanent sign, to a permanent sign pole, or to a pole mounted in the ground are not ~~**PORTABLE SIGNS.**~~ Yard signs and A-frame or sandwich board signs are not ~~**PORTABLE SIGNS**~~ if anchored into the ground.

—~~**PORTE COCHERE.**~~ A roofed structure or roof-like cover, extending from the entrance of a building and which provides shelter over a doorway.

—~~**PRINCIPAL BUILDING.**~~ The building in which the principal primary use of the lot is conducted. Lots with multiple principal uses may have multiple principal buildings, but storage buildings, garages and other clearly accessory uses shall not be considered ~~**PRINCIPAL BUILDINGS.**~~

—~~**PROJECTING SIGN.**~~ Any sign which is affixed to a building or wall in such a manner that its leading edge extends more than two feet beyond the surface or such building or wall face. See § 19.126.1 for graphic illustrations.

—~~**PROPERTY OWNER.**~~ Legal owner of property as officially recorded by the county.

—~~**PUBLIC ART.**~~ Art in any media sited in the physical public domain outdoors and accessible to all members of the public primarily for its imaginative, aesthetic or intellectual value.

—~~**PUBLIC ARTISTIC PERFORMANCE.**~~ Performances conducted primarily for its imaginative, aesthetic, cultural, or intellectual content on public rights-of-way, parks or plazas outside and accessible to all members of the public for their enjoyment.

—~~**PUBLIC BUILDING.**~~ A nonresidential building, owned by any governmental agency, which is primarily used for governmental purposes.

—~~**PUBLIC NOTICES.** Official notices posted by public officers, employees or their agents in the performance of their duties, or as directed by such officers, employees or agents.~~

—~~**PUBLIC SERVICE ANNOUNCEMENTS.** Messages displayed or disseminated without charge, with the objective of raising awareness, or changing public attitudes and behavior on a matter concerning the public health, safety or welfare.~~

—~~**PUBLIC STREET RIGHT-OF-WAY.** The planned right-of-way for a public street in accordance with the most recently adopted Master Street Plan of the city.~~

—~~**PUBLIC UTILITY SIGNS.** Warning signs, notices or markers which are customarily erected and maintained by public or privately owned public utilities, as essential to their operations.~~

—~~**PUMP ISLAND SIGN.** Any sign either affixed directly to a gasoline pump or otherwise attached to the pump or pump island.~~

—~~**PYLON SIGN.** Any freestanding sign which has its supportive structure(s) anchored in the ground and which has a sign face elevated above ground level by pole(s) or beam(s) and with the area below the sign face open. See § 19.126 for graphic illustration.~~

—~~**PYROTECHNICS.** Fireworks or similar devices used to ignite a combustible substance or produce an explosion.~~

—~~**REAL ESTATE SIGN.** Any temporary sign which announces the sale, rental or lease of property by the owner or real estate company.~~

—~~**RESIDENTIAL DISTRICT.** Any district zoned for residential uses.~~

—~~**RESIDENTIAL SIGN.** Any sign located in a district zoned for residential uses.~~

—~~**ROOF.** The exterior surface and its supporting structure on the top of a building or structure. The structural make-up of which conforms to the roof structures, roof construction and roof covering sections of the Uniform Building Code.~~

—~~**ROOF LINE.** The upper-most edge of the roof or in the case of an extended facade or parapet, the upper-most height of said facade.~~

—~~**ROOF SIGN.** Any sign erected and constructed wholly on and above the roof of a building, supported by the roof structure, and extending vertically above the highest portion of the roof. See § 19.126.1 for graphic illustration. Individual letters mounted on canopies are considered **ROOF SIGNS** only if they extend above the uppermost roof of the principal building served by the canopy.~~

—~~**ROOF SIGN, INTEGRAL.** Any building sign erected or constructed as an integral or essentially integral part of a normal roof structure of any design, so that no part of the sign extends vertically above the highest portion of the roof and so that no part of the sign is separated from the rest of the roof by a space of more than six inches. See § 19.126.1 for graphic illustration.~~

—~~**ROTATING SIGN.** A sign or portion of a sign which in any physical part or in total turns about on an axis, rotates, revolves or is otherwise in motion, including without limitation a multi-vision sign.~~

—~~**SERVICE AREA CANOPY.** Any structural protective cover that is not enclosed on any of its four sides and is provided for the service area designated for the dispensing or installation of gasoline, oil, antifreeze, headlights, wiper blades and other similar products and the performance of minor services for customers as related to said dispensing or installation.~~

- ~~**SERVICE AREA CANOPY SIGN.** Any sign that is part or attached to the service area canopy.~~
- ~~**SERVICE STATION.** See **CONVENIENCE FACILITY WITH FUEL SALES.**~~
- ~~**SETBACK, FRONT.** The minimum horizontal distance permitted between the public right-of-way and a structure on the premises. In instances in which a property fronts on more than one street, front setbacks are required on all street frontages.~~
- ~~**SETBACK, REAR.** The minimum horizontal distance permitted between the property line opposite the principal street frontage and a structure on the premises.~~
- ~~**SETBACK, SIDE.** The minimum horizontal distance permitted between the side lot line and a structure on the premises.~~
- ~~**SHIMMERING SIGNS.** A sign which reflects an oscillating sometimes distorted visual image.~~
- ~~**SIGN.** Any structure, fixture, placard, announcement, declaration, device, demonstration or insignia used for direction, information, identification or to advertise or promote any business, product, goods, activity, services or any interests.~~
- ~~**SIGN FACE.** The surface of the sign upon, against or through which the message of the sign is exhibited.~~
- ~~**SIGN STRUCTURE.** Any structure including the supports, uprights, bracing and framework which supports or is capable of supporting any sign.~~
- ~~**SITE.** A plot or parcel of land, or combination of contiguous lots or parcels of land, which are intended, designated and/or approved to function as an integrated unit.~~
- ~~**SPANDREL.** A roof-like structure that covers the gasoline pump dispenser below a service area canopy and which is a lighting source for the dispensing area, serves to identify the gasoline pumps by numerical designation, and may display signage.~~
- ~~**SPANDREL SIGN.** Any sign that is a part of or attached to the spandrel.~~
- ~~**STREET FURNITURE.** Fittings and fixtures installed in the public right-of-way, parks or plazas designed to be available outside and accessible to all members of the public for their convenient use and enjoyment or which contribute to creative public place-making, including without limitation public benches, bicycle racks, water fountains, drinking fountains, litter and recycling receptacles, public information kiosks, pedestrian-scaled lighting, and planters.~~
- ~~**STRINGER.** A line of string, rope, cording or an equivalent to which is attached a number of pennants.~~
- ~~**SUSPENDED SIGN.** Any building sign that is suspended from the underside of a horizontal plane surface and is connected to this surface. See § 19.126.1 for graphic illustration.~~
- ~~**TEMPORARY SIGN.** Any sign or sign structure which is not permanently affixed or installed, and is intended to be displayed for a limited period only. Examples of such signs include, but are not limited to the following: real estate, construction, special event, political, garage sale, home improvement/ remodeling, model home and seasonal (holiday) signs.~~
- ~~**TIME AND TEMPERATURE SIGN.** Any sign which displays exclusively current time and temperature information.~~
- ~~**TOMBSTONE.** Any cemetery marker or grave indicator, including grave monuments.~~

~~—**TOTAL SITE SIGNAGE.** The maximum permitted combined area of all freestanding and wall identification signs allowed on a specific property.~~

~~—**TRAFFIC CONTROL SIGN.** See **OFFICIAL SIGN.**~~

~~—**VEHICLE SIGN.** Any sign painted, placed on, attached or affixed to a trailer, watercraft, truck, automobile or other form of motor vehicle so parked or placed so that the sign thereon is discernable from a public street or right-of-way as a means of communication and which by its location, size and manner of display is reasonably calculated to exhibit commercial advertising identifying an on-site business or supplying directional information to an off-site business. A **VEHICLE SIGN** may be so defined when on a vehicle that functions primarily as a sign rather than as a transportation device, as determined by consideration of any combination of the following factors:~~

~~—(A) The absence of a current, lawful license plate affixed to the vehicle on which the sign is displayed;~~

~~—(B) The vehicle on which the sign is displayed is inoperable as defined by this city code;~~

~~—(C) The vehicle on which the sign is displayed is not parked in a lawful or authorized location or is on blocks or other supports or is parked in a manner that is not in conformity with the identified parking space on the lot;~~

~~—(D) The vehicle on which the sign is displayed is not regularly used for transportation associated with the use it advertises;~~

~~—(E) The vehicle remains parked on the premises after normal business hours when customers and employees are not normally present on the premises; or~~

~~—(F) The vehicle remains parked in the same vicinity on the property in a location which maximizes its visibility from the public street or right-of-way on a regular basis.~~

~~—**VIDEO DISPLAY SIGN.** A sign that changes its message or background in a manner or method of display characterized by motion or pictorial imagery, which may or may not include text and depicts action or a special effect to imitate movement, the presentation of pictorials or graphics displayed in a progression of frames which give the illusion of motion, including, but not limited to, the illusion of moving objects, moving patterns or bands of light, or expanding or contracting shapes, not including electronic changeable copy signs. **VIDEO DISPLAY SIGNS** include projected images or messages with these characteristics onto buildings or other objects.~~

~~—**VISIBLE.** Capable of being seen by a person of normal visual acuity (whether legible or not) without visual aid.~~

~~—**WALL.** Any structure which defines the exterior boundaries or courts of a building or structure and which has a slope of 60 degrees or greater with the horizontal plane.~~

~~—**WALL GRAPHIC.** A graphic image attached to an exterior building wall or window that displays static images with no more than 25% of the graphic area comprised of text or logos. **WALL GRAPHICS** may be illuminated internally or externally but are not electronic signs.~~

~~—**WALL SIGN.** Any building sign attached parallel to, but within two feet of a wall, painted on the wall surface of, or erected and confined within the limits of an outside wall of any building or structure, which is supported by such wall or building, and which displays only one sign surface. See § 19.126.1 for graphic illustration.~~

~~— **WINDOW DISPLAY.** An arrangement of merchandise displayed in a building window and may include incidental graphics and text incorporated in the merchandise or display apparatus (e.g., mannequins). The area of a building facade designated for **WINDOW DISPLAY** will not be included in the computation of maximum total sign area permitted, but any permanent signs placed within a **WINDOW DISPLAY** are included in the total sign area computation and subject to all applicable sign design standards.~~

~~— **WINDOW SIGN.** Any building sign, pictures, symbol or combination thereof, designed to communicate information about an activity, business, commodity, event, sale or service, that is placed inside a window or upon the window glass or door (including garage doors), so as to be primarily visible from the exterior of the building or structure.~~

~~— **YARD SALE.** See **GARAGE SALE.**~~

DIVISION C: GENERAL REGULATIONS

§ 19.105 REGULATED SIGNS EXEMPT FROM OBTAINING A SIGN PERMIT.

~~— (a) *City Council findings.* The City Council finds that allocating public funds and staff resources to those signs that present the most public safety and aesthetic problems will better achieve the overall purpose of this Article X. Requiring a permit for every type of sign in the city would unduly tax staff resources, thus diluting the overall enforcement of this Article X. Therefore, the City Council finds that the following signs shall be regulated pursuant to this Article X, but shall be exempt from the requirement of obtaining a sign permit and from the payment of a permit fee.~~

~~— (b) *Regulations.* No sign permit shall be required for the signs listed in subsection (c) below, provided:~~

~~— (1) The sign is permitted in the zoning district in which the sign is placed;~~

~~— (2) The requirements for each sign listed in subsection (c) below are satisfied; and~~

~~— (3) The sign does not violate the following provisions of this Article X, which apply to all signage in the city:~~

~~— (A) Section 19.106 (Signs Prohibited in All Districts);~~

~~— (B) Section 19.107 (Computations); and~~

~~— (C) Section 19.108 (General Provisions, Including Basic Design Elements).~~

~~— (c) *Regulated signs exempt from permit requirements.*~~

~~— (1) *Balloons.* Balloons less than 24 inches in diameter are exempt from obtaining a permit.~~

~~— (2) *Boutique sale signs.* Boutique sale signs are exempt from obtaining a permit, provided:~~

~~— (A) Each sign is a maximum of six square feet in total surface area and three feet in height;~~

~~— (B) There is a maximum of four signs per boutique sale ;~~

~~— (C) If a sign is installed on property other than the property having the sale, the property owner having the boutique sale must have the permission of the property owner where the sign is installed:~~

~~— (i) No signs shall be allowed in the public rights-of-way or on utility poles pursuant to subsection (b) above; and~~

~~———— (ii) There shall be a maximum of two signs on any street frontage of any site for the following signs:~~

~~———— (aa) Off-site signs for temporary special events for places of worship, schools, parks and public buildings;~~

~~———— (bb) Off-site signs for garage sales ;~~

~~———— (cc) Off-site signs for realtor directional/open housing signs; and~~

~~———— (dd) Off-site signs for boutique sales.~~

~~———— (D) The boutique sale signs are allowed only twice each calendar year per site and the signs are permitted for a maximum of four days each occurrence.~~

~~———— (3) *Building markers.* Building markers are exempt from obtaining a permit.~~

~~———— (4) *Construction signs.* One temporary freestanding construction sign or wall sign per project construction site is exempt from obtaining a permit on each street frontage of the project (commercial, industrial and single-family residential projects of six or more lots or multiple-family projects), subject to the following conditions.~~

~~———— (A) The construction sign shall not exceed 32 square feet in area in residential districts or 64 square feet in area in all other districts.~~

~~———— (B) The construction sign shall be a maximum of six feet in height with a minimum setback of ten feet from any public street right-of-way line for residential districts or 15 feet in height with a minimum setback of 20 feet from any public street right-of-way line for other districts.~~

~~———— (C) The construction sign of a project approved by the city may be erected at the time of approval and shall be confined to the site of construction.~~

~~———— (D) The construction sign shall be removed ten days after issuance of the first temporary certificate of occupancy permit and prior to occupancy, or in the case of a residential subdivision, be removed when 75% of the lots are sold.~~

~~———— (5) *Flags.*~~

~~———— (A) *Flags, noncommercial.* Noncommercial flags are exempt from obtaining a permit, provided the poles on which they are mounted shall be no taller than 12 feet above the highest outside wall of the tallest building on the site, are placed a minimum of ten feet from the public right-of-way, and maintain a side and rear yard setback not less than the height of the pole. A maximum of two noncommercial flags are permitted per acre. Noncommercial flags are permitted on light poles only if the flag is above the light source and meets all other requirements in this section. The American flag may be illuminated to meet United States Flag Code rules. All flag lighting must comply with § 21.301.07(c)(6) of the city code.~~

~~———— (B) *Flags, commercial.* A maximum of two commercial flags are allowed per site and are exempt from obtaining a permit if all of the following standards are met:~~

~~———— (i) The flags must display the name or logo for a place of business located on the site;~~

~~———— (ii) The flags and associated flagpole must be no taller than 12 feet above the highest outside wall of the tallest building on the site;~~

~~———— (iii) The flags and associated flagpole must be placed a minimum of ten feet from the public right-of-way;~~

~~—(iv) The flags and associated flagpole must maintain a side and rear setback not less than the height of the pole;~~

~~—(v) The site must have at least three acres to have commercial flags; and~~

~~—(vi) Commercial flags must not exceed 25 square feet each.~~

~~—(6) *Garage sale signs.* Garage sale signs are exempt from obtaining a permit, provided:~~

~~—(A) Each sign is a maximum of six square feet in total surface area and three feet in height;~~

~~—(B) There is a maximum of four signs per garage sale;~~

~~—(C) If a sign is installed on property other than the property having the sale, the property owner having the garage sale must have the permission of the property owner where the sign is installed:~~

~~—(i) No signs shall be allowed in the public rights-of-way or on utility poles pursuant to subsection (b) above; and~~

~~—(ii) There shall be a maximum of two signs on any street frontage of any site for the following signs:~~

~~—(aa) Off-site signs for temporary special events for places of worship, schools, parks and public buildings;~~

~~—(bb) Off-site signs for garage sales;~~

~~—(cc) Off-site signs for realtor directional/open housing signs; and~~

~~—(dd) Off-site signs for boutique sales.~~

~~—(D) The garage sale signs are allowed only twice each calendar year per site and the signs are permitted for a maximum of four days each occurrence.~~

~~—(7) *Home improvement/home construction/home remodeling signs.* Home improvement/home construction/home remodeling signs are exempt from obtaining a permit, provided:~~

~~—(A) There shall be only one such sign not exceeding six square feet in total surface area and four feet in height for each lot;~~

~~—(B) Such sign shall be located on the lot the described activity is occurring and shall be a minimum of ten feet from the property line; and~~

~~—(C) The sign shall be displayed only until approval of the final inspection or the project is substantially completed, but in no event longer than 30 days.~~

~~—(8) *Home security signs.* Home security signs are exempt from obtaining a permit, provided that such signs do not exceed one square foot in total sign surface area.~~

~~—(9) *Interior signs and window signs.* Interior signs and window signs are exempt from obtaining a permit.~~

~~—(10) *Reserved.*~~

~~—(11) *Official signs and notices.* Official signs and notices are exempt from obtaining a permit.~~

- ~~— (12) *Political signs.* Political signs are exempt from obtaining a permit.~~
- ~~— (13) *Public notices.* Public notices are exempt from obtaining a permit.~~
- ~~— (14) *Public utility signs.* Public utility signs are exempt from obtaining a permit.~~
- ~~— (15) *Real estate signs.* Real estate signs are exempt from obtaining a permit, provided:~~
- ~~— (A) *Real estate signs for single or two-family residential dwellings or lots.*~~
- ~~— (i) There shall be one sign per street frontage up to a maximum of two signs per lot;~~
- ~~— (ii) Such sign shall be located on the lot for sale or lease and shall be a minimum of ten feet from any public street right-of-way;~~
- ~~— (iii) Such sign shall not exceed ten square feet in total surface area and six feet in height;~~
- ~~— (iv) Real estate signs shall not be directly illuminated and shall be removed within seven days after closing has occurred; and~~
- ~~— (v) If a temporary directional or open house real estate sign is installed on property other than the property having the sale, the person placing the sign must have the permission of the property owner where the sign is installed. The temporary directional or open house sign shall be allowed only when a sales agent is present on the property which is for sale:~~
- ~~— (aa) No sign shall be allowed in the public street right-of-way. Also see § 19.106 (b); and~~
- ~~— (bb) There shall be a maximum of two signs on any street frontage of any site for the following signs:~~
- ~~— (AA) Off-site signs for temporary special events for places of worship, schools, parks and public buildings.~~
- ~~— (BB) Off-site signs for garage sales;~~
- ~~— (CC) Off-site signs for realtor directional/open house signs; and~~
- ~~— (DD) Off-site signs for boutique sales.~~
- ~~— (B) *Real estate signs for all other uses.*~~
- ~~— (i) *General provision.* The real estate sign shall be located on the site for sale or for lease and shall not be directly illuminated unless incorporated into the site's identification sign.~~
- ~~— (ii) *For real estate signs adjacent to I-35W, I-494 and TH-77.* The site may elect one of the following options, subject to the provisions of the clear view triangle area and subject to the provisions of § 19.108(c):~~
- ~~— (aa) Incorporate the real estate sign into the permanent identification sign and increase the total allowed sign surface area by a maximum of 32 square feet. The 32 square feet addition to the identification sign can be used at the discretion of the property owner, so long as the identification sign is utilized for any real estate information. No other real estate sign shall be allowed; or~~
- ~~— (bb) One real estate sign, not exceeding 32 square feet, shall be permitted per street frontage up to a maximum of two signs per site. Freestanding real estate signs are subject to a maximum height of eight feet, and the sign setback must be a minimum of 20 feet from any~~

public street right-of-way line. Real estate signs mounted on a building wall must not extend above the roofline.

~~—— (iii) *For signs on other street frontages.* The site may elect one of the following options, subject to provisions of the clear view triangle area and subject to the provisions of § 19.108(c):~~

~~—— (aa) Incorporate the real estate sign into the permanent identification sign and increase the total allowed sign surface area by a maximum of 16 square feet. The 16 square foot addition to the identification sign can be used at the discretion of the property owner, so long as the identification sign is utilized for any real estate information. No other real estate sign shall be allowed; or~~

~~—— (bb) One real estate sign, not exceeding 16 square feet, shall be permitted per street frontage up to a maximum of two signs per site. Freestanding real estate signs are subject to a maximum height of six feet, and the sign setback shall be a minimum of ten feet from any public street right-of-way line. Real estate signs mounted on a building wall must not extend above the roofline.~~

~~—— (iv) *Two street frontages.* If a site is allowed two real estate signs due to two street frontages, both frontages shall use the same style option, either incorporating the real estate sign into the permanent identification signs or utilizing separate real estate sign. In addition, if one frontage is adjacent to I-35W, I-494 or TH-77, the regulations in subsection (c)(15)(b)(ii) above apply; for other street frontages, the regulations in subsection (c)(15)(B)(iii) above apply.~~

~~—— (v) *Real estate signs for new buildings.* One real estate sign, not exceeding 100 square feet, shall be permitted per street frontage for two years after certificate of occupancy for new multifamily buildings.~~

~~—— (16) *Residential name plates.* Residential name plates are exempt from obtaining a permit, provided:~~

~~—— (A) There may be one sign not exceeding one and one-half square feet in area permitted for each residential building. Home occupation information may be placed on the residential name plate; and~~

~~—— (B) The name plate shall be located a minimum of ten feet from any property line or public street right-of-way line.~~

~~—— (17) *Tombstones.* Tombstones are exempt from obtaining a permit when located in approved cemeteries.~~

~~—— (18) *Traffic control signs.* Traffic control signs, public or private, are exempt from obtaining a permit.~~

~~—— (19) *Special temporary signs to announce employment opportunities at commercial/industrial uses.*~~

~~—— (A) *General provision.* Special temporary signs to announce employment opportunities shall be allowed only in the Class II, III, IV and V Sign Districts.~~

~~—— (B) *On-site temporary signs.*~~

~~—— (i) *Maximum size and number.* One temporary sign shall be allowed on any street frontage. The maximum size for a temporary wall sign shall be 100 square feet. The maximum size for a freestanding sign shall be 16 square feet.~~

~~—— (ii) *Maximum height and minimum setbacks.* Any temporary sign shall maintain a minimum setback of ten feet from any street right-of-way. No temporary wall sign shall be placed above the highest outside wall. The maximum height for a temporary freestanding sign shall be six feet.~~

~~—— (iii) *Design.* No stringers and balloons may be used with the temporary sign.~~

~~—— (iv) *Time period for signage.* Temporary signs to announce employment opportunities may be used at any time during the year.~~

~~—— *Exception.* There shall be a maximum of one temporary sign on any street frontage of any site for the following signs:~~

~~—— (aa) Temporary signs for commercial promotions; and~~

~~—— (bb) Special temporary signs to announce job opportunities.~~

~~—— (20) *Special temporary signs announcing future development.* One temporary freestanding construction sign or wall sign per development site (commercial, industrial and single-family residential projects of six or more lots or multiple-family projects) is exempt from obtaining a permit on each street frontage of the project, subject to the following standards:~~

~~—— (A) *Size.* The sign may not exceed 32 square feet in residential districts, 64 square feet along freeway frontages, 32 square feet along arterials and 16 square feet along collector and local streets;~~

~~—— (B) *Height and setback.* In residential districts the sign must not exceed six feet in height with a minimum setback of ten feet from any public street right-of-way. In nonresidential districts the sign must not exceed 15 feet in height with a minimum setback of 20 feet from any public street right-of-way;~~

~~—— (C) *Approval.* The sign must not be erected before approval of final plans or plats by the City Council; and~~

~~—— (D) *Removal.* The sign must be removed within ten days after issuance of the first temporary certificate of occupancy permit and prior to occupancy, or in the case of a residential subdivision, must be removed when 75% of the lots are sold.~~

~~—— (21) *On-site temporary signs for exhibits or awards.* On-site temporary signs for a long term exhibit or activity (over 60 continuous days) or to announce State or National awards at schools, parks, museums and public buildings are allowed subject to the following standards:~~

~~—— (A) *Number and size.* A maximum of one temporary wall sign per street frontage. The sign may not exceed 100 square feet. The name or recipient of the award must not exceed 25% of the temporary sign area.~~

~~—— (B) *Location.* Temporary signs for exhibits or awards must be located on the wall adjacent to or above the primary building entrance. No temporary wall sign may be placed above the top of the wall.~~

~~—— (C) *Maximum time period.* Temporary signs for exhibits are allowed for up to three months prior to the event and must be removed upon completion of the event. Temporary signs for awards must be removed within two years after the date of the award.~~

~~—— (D) *Illumination.* Temporary signs may not be illuminated.~~

~~—— (E) *Affixed to building.* Temporary signs must be affixed to the building to eliminate movement and be constructed of durable and weather resistant material.~~

~~—(22) Access door signs on multiple tenant buildings are exempt from obtaining a permit, provided one sign, under two square feet, per access door.~~

~~—(23) *Farmers market and arts and craft festival signs.* Farmers market signs are exempt from obtaining a permit but must meet the following standards:~~

~~—(A) *Maximum size and number.* Two temporary signs are allowed per street frontage in addition to the temporary directional signs discussed below. The maximum size per temporary sign is 50 square feet.~~

~~—(B) *Maximum height and minimum setbacks.* Any temporary signs must maintain a minimum setback of five feet from any street right-of-way unless the farmers market or arts and crafts festival itself has approval to locate in the right-of-way. No temporary sign is allowed to be placed above the highest outside wall of a structure. All temporary signs are subject to the requirements of the clear view triangle area.~~

~~—(C) *Time period for signage.* Temporary signs are not allowed to be displayed before 24 hours before the opening of the farmers market or arts and crafts festival or after two hours after closure of the farmers market or arts and crafts festival.~~

~~—(D) *Location.* Temporary signs are only allowed to be placed in yard areas and on buildings below the roof line and are not allowed to be placed within two feet of public sidewalks, or on sidewalks, parking lots (except for vendor signs), parking lot islands, retaining walls, boulders, planters or any other areas prohibited by the city code. Signs are only allowed to be placed on the site of the farmers market or arts and crafts festival and with property owner authorization.~~

~~—(E) *Illumination.* The signs are not allowed to be artificially illuminated.~~

~~—(F) *Vendor signs.* Each market vendor is allowed one additional sign during farmers market operations located in their respective vendor area no larger than 20 square feet in area.~~

~~—(G) *Types of permitted temporary signs.* Banners, including banners on buildings, freestanding yard signs, properly secured sandwich board signs and commercial flags are permitted types of signs if they meet all other requirements of the city code.~~

~~—(H) *Temporary directional signs.* Farmers markets or arts and crafts festivals may display temporary directional signs provided the following criteria are satisfied.~~

~~—(i) The directional signs must maintain a minimum setback of five feet from any street right-of-way.~~

~~—(ii) The maximum sign surface area is six square feet.~~

~~—(iii) The maximum sign height is six feet.~~

~~—(iv) No directional sign is allowed to be erected that is not clearly necessary for the safety and convenience of the public. In no instance will the number of directional signs exceed two per acre of total site area. Exception: if a site is less than one acre, the site is allowed two directional signs.~~

~~—(24) *Signs not visible from the public right of way.* Signs located in Class I Sign Districts are exempt from obtaining a permit, provided:~~

~~—(A) The sign is not visible from the public right of way.~~

~~—(B) The sign meets the provisions of § 19.108.~~

~~— (C) Illumination is permitted subject to §§ 19.108(d) and 21.301.07(c)(5).~~

~~§ 19.106 SIGNS PROHIBITED IN ALL DISTRICTS.~~

~~— (a) *City Council findings.* The City Council makes the following findings regarding the need to prohibit certain signs in all zoning districts of the city.~~

~~— (1) The placement and accumulation of temporary and permanent signs in public rights-of-way, on traffic and utility devices, and upon the public sidewalks or on sidewalk easements can present dangerous conditions to the free and safe flow of pedestrian and vehicular traffic. Such areas should be reserved for official traffic signs and official utility notices in order to assure the safe flow of traffic.~~

~~— (2) The accumulation of signs on publicly owned property and buildings presents an intrusion and blight on public property, interferes with and diminishes the very purpose for which the public space has been reserved, and disrupts the aesthetic qualities of such property.~~

~~— (3) The placement and accumulation of signs on such natural features as trees, shrubs and rocks violate the otherwise aesthetic qualities of such features and can lead to blighted areas within the community.~~

~~— (4) The experience of this and surrounding communities establishes the unsightly visual clutter caused by portable signs, which can significantly contribute to blighted neighborhoods and intersections. Such portable signs also present unique safety problems in that their lightweight design and common placement along streets and sidewalks present hazards to the safe use of public streets and sidewalks.~~

~~— (5) Large, temporary and permanent balloon signs located on buildings, roofs and sites present unique aesthetic concerns to the community. The experience of this city in allowing such large balloon signs on a temporary basis in the past has not achieved the aesthetic goals of the City Council. The balloons have been shown to be of an obtrusive nature and have allowed commercial enterprises to violate the prescribed signage limits of this Article X.~~

~~— (6) The installation and maintenance of roof signs can negatively affect roofing materials. Roof signs have been found in this community to be unwarranted and unsightly additions to the overall clutter of streets and thoroughfares.~~

~~— (b) *Prohibited signs.*~~

~~— (1) *Signs in the public rights-of-way or affixed to utility poles prohibited.*~~

~~— (A) No person shall paint, mark or write on or post or otherwise affix any sign within the public rights-of-way, or upon any public sidewalk or sidewalk easement, curb, street lamp post, hydrant, tree stake or guard, railroad trestle, electric light or power or telephone pole, or wire appurtenance thereof, unless the sign is a traffic control sign, a public utility sign or a public notice.~~

~~— (B) No person shall paint, mark or write on or post or otherwise affix any handbill or sign upon any lighting system, public bridge, drinking fountain, life buoy, life preserver, life boat or other life saving equipment, street sign or traffic sign, utility apparatus, traffic control device, public retaining or noise barrier wall, or public fence, unless the sign is a traffic control sign, a public utility sign or a public notice.~~

~~— (2) *Signs which interfere with official signs and traffic control devices prohibited.*~~

~~— (A) No person shall be permitted to place a sign which prevents the driver of a vehicle from having a clear and unobstructed view, from an adequate and safe distance, of any official sign or approaching or merging traffic.~~

~~— (B) No sign or sign structure shall be permitted which attempts or appears to attempt to direct the movement of traffic or which interferes with or obstructs the view of, or can be confused with, imitates or resembles any official traffic sign, signal or device.~~

~~— (C) No rotating beam, beacon or flashing illumination resembling any emergency light shall be used in connection with any sign display, unless the sign is a traffic control sign, a public utility sign or a public notice.~~

~~— (3) *Interference with intersections prohibited.* No sign or sign structure shall be located in such a manner as to materially impede the view of any street or highway intersection or in such a manner as to materially impede the view of the intersection of a street or highway with a railroad crossing. (See § 17.31.)~~

~~— (4) *Signs on natural features prohibited.* No sign shall be permitted to be painted on, attached to, or maintained upon trees, shrubs, rocks or other natural features.~~

~~— (5) *Portable signs prohibited.* No portable signs shall be erected or displayed.~~

~~— (6) *Flashing signs prohibited.* Flashing signs not falling under the definition of video display signs are prohibited.~~

~~— (7) *Shimmering signs prohibited.* Shimmering signs shall be prohibited.~~

~~— (8) *Roof signs prohibited.* Roof signs shall be prohibited.~~

~~— (9) *Balloon signs prohibited.* Balloon signs are prohibited if they are greater than 24 inches in diameter, hung more than six feet above ground, or in excess of two per site.~~

~~— (10) *Vehicle signs prohibited.* Vehicle signs are prohibited.~~

~~— (11) *Video display signs prohibited.* Video display signs are allowed only as provided in § 19.108(h)(5) of this city code.~~

~~— (12) *Electronic changeable copy signs prohibited.* Electronic changeable copy signs are allowed only as provided in § 19.108(h)(4) of this city code.~~

~~— (13) *Electronic graphic display signs prohibited.* Electronic graphic display signs are allowed only as provided in § 19.108(h)(6) of this city code.~~

~~— (14) *Signs with fluctuating illumination prohibited.* Any type of sign that fluctuates in light intensity or uses intermittent, strobe or moving light or lights that does not fall under the definition of video display signs, electronic changeable copy signs or electronic graphic display signs is prohibited.~~

~~— (15) *Multi-vision signs prohibited.* Multi-vision signs are allowed only as provided in § 19.108(h)(7) of this city code.~~

~~— (16) *Off-site advertising signs prohibited.* Off-site advertising signs are prohibited.~~

~~— (c) *Signs not listed as permitted are prohibited.* Any sign not identified as a permitted sign in this section of this code and in §§ 19.110 through 19.127 of this code is prohibited.~~

§ 19.107 COMPUTATIONS.

~~—(a) *Computation of sign surface area of individual cabinet or panel signs.* To compute the area for a sign face: compute by means of the smallest square, circle, rectangle, triangle or combination thereof that will encompass the extreme limits of the copy, representation, emblem or other display, together with any material or color forming an integral part of the background of the display or used to differentiate the sign from the backdrop or structure against which it is placed, but not including any supporting framework, bracing or decorative fence or wall when such fence or wall otherwise meets zoning ordinance regulations and is clearly incidental to the display itself. See § 19.126.3 for graphic illustration.~~

~~—(b) *Computation of sign surface area of individual signs of channel construction.* When a sign is composed of individually mounted letters or symbols, the sign surface area shall be determined by means of the total of the smallest contiguous square, circle, rectangle, triangle or combination thereof that will encompass each letter, representation, emblem or other display. See § 19.126.4 for graphic illustration.~~

~~—(c) *Computation of sign surface area of multifaceted signs.* The sign surface area for a sign with more than one face shall be computed by adding together the sign surface area of all sign faces visible from any one point. When two identical sign faces are placed back-to-back, or at no greater than 15 degrees from one another, so that both faces cannot be viewed from any point at the same time, and when such sign faces are part of the same sign structure and are not more than 42 inches apart, the sign surface area shall be computed by the measurement of one of the faces.~~

~~—(d) *Computations for awnings or canopies.*~~

~~—(1) *Computation of the area of a canopy or awning.* The procedure to determine the area of a canopy or awning shall be to multiply the horizontal width by the vertical height as seen in an elevation view.~~

~~—(2) *Computation of sign surface area of awning or canopy signs.* To compute the area for an awning or canopy sign: computed by means of the smallest square, circle, rectangle or combination thereof that will encompass the extreme limits of the copy, representation, emblem or other display, together with any material or color forming an integral part of the background of the display or used to differentiate the sign from the backdrop. The entire awning or canopy face is not considered to be an integral part of the background. See § 19.126.4. for graphic illustration.~~

~~—(e) *Sign height.* The height of the sign shall be computed as the distance from the base of the sign or sign structure at grade to the top of the highest attached component of the sign. See also grade mounding requirements in § 19.108(c). See § 19.126.5 for graphic illustration.~~

~~—(f) *Computations of elevation area.*~~

~~—(1) The elevation area for a building shall be calculated as the horizontal length of all walls that face each lot line multiplied by the height of the wall (s) up to a maximum height of 25 feet. If separate buildings have been connected so that the buildings appear to be one, then those buildings shall be counted as one building.~~

~~—(2) The elevation area for a site shall be calculated as the horizontal length of all walls of all buildings and structures on a site that face each lot line multiplied by the height of the wall(s) up to a maximum height of 25 feet. The elevation area for a site is used only for convenience facility with fuel sales.~~

§ 19.108 GENERAL PROVISIONS, INCLUDING BASIC DESIGN ELEMENTS.

~~—(a) *Consent of property owner.*~~

~~—(1) No person shall construct, erect, place, use or permit the use of any permanent sign or sign structure on private or public property without the express written consent of the property owner or his or her representative.~~

~~—(2) No person shall construct, erect, place, use or permit the use of any temporary sign on private or public property without the permission of the property owner or his or her representative.~~

~~—(b) *Required permits.* Any sign not exempted from the requirements of obtaining a sign permit as noted in § 19.105 of this code shall be required to obtain a sign permit pursuant to Chapter 14 of this code.~~

~~—(c) *Sign characteristics.*~~

~~—(1) *Grade mounding.* Earth mounding inconsistent with the final grade of the land surrounding the sign structure which increases the elevation of the sign shall be included in the measurement of the sign height. Earth mounding created for landscaping and screening is not part of the final grade for sign height computation. See § 19.126.5 for graphic illustration.~~

~~—(2) *Logo on sign area.* When a sign is of channel construction, up to 25% of the total sign surface area installed may be constructed as a cabinet sign for the purposes of presenting a logo or tag line, installed pursuant to this subsection (c)(2).~~

~~—(d) *Illumination of signs.*~~

~~—(1) *Interference with traffic.* No lighting shall be permitted to be used in any way in connection with a sign unless it is so effectively shielded so as to prevent beams or rays of light from being directed at any portion of the main traveled way of the public roadway or onto any residential property, or is of such low intensity or brilliance as not to cause glare or to impair the vision of the driver of any motor vehicle, or to otherwise interfere with any drivers operation of a motor vehicle.~~

~~—(2) *Underground electrical service.* All illuminated freestanding identification signs shall have underground electrical service.~~

~~—(3) *Luminance levels.* Luminance levels must comply with § 21.301.07(c)(5).~~

~~—(e) *Sign location.*~~

~~—(1) *Clear view triangle area.* Where otherwise allowed in the setback, no sign or sign structures taller than three feet shall be located within a clear view triangle area.~~

~~—(2) *Orientation of signs on corner lots or through lots.* When more than one sign is permitted due to multiple frontages, each permitted sign shall be oriented toward its respective frontage, except as specified in Classes IV, V and VI Sign Districts and in Division E. It is the intent to prohibit lots with multiple frontages from combining sign rights so as to erect larger signs or additional signs that are oriented to only one frontage.~~

~~—(f) *Maintenance of signs.*~~

~~—(1) *Maintenance required.* All signs and sign structures shall be kept in good repair and in a proper state of maintenance.~~

~~—(2) *Activities considered to be maintenance.* Maintenance shall include activities such as replacing lamps, replacing ballast in freestanding signs, replacing transformers in building identification signs, painting the pole of freestanding signs and the cabinet of freestanding or building identification signs, replacing or repairing the sign face, including H-bars~~

and retainers behind the face, replacing trim and replacement of sign fasteners, nuts and washers. A maintained sign structure shall have a sign face.

~~—(3) *Items not considered maintenance.* The following items are not considered maintenance and shall require that the sign be brought into conformance with all requirements with this Article X.~~

~~—(A) Said maintenance shall not include any changes made to the size, height, light intensity or bulk of the sign or the temporary or permanent removal of the sign for the repair or replacement of the cabinet or any part thereof, not including the face.~~

~~—(B) Said maintenance shall not include changes in poles, structural supports, bases or shrouds, footings or anchor bolts, moving the sign for any reason, change or replacement of the interior and/or exterior cabinet frame (excluding trim) and removal of any part of the signs for maintenance except the sign face. For building signs, maintenance shall not include change in the size of channel letters or any change or replacement of returns or housing except for the sign face and trim. For single face cabinet signs, maintenance shall not include changes or replacement of the interior and/or exterior cabinets nor the cabinet support structures.~~

~~—(4) *Temporary removal for new face.* Temporary removal of the sign cabinet for the installation of a new sign face is permitted and will not require that the sign be brought into conformance with all requirements of this Article X.~~

~~—(g) *Legally established nonconforming permanent signs.*~~

~~—(1) Maintenance as stated in subsection (f) above, and alterations, including change of the sign face and color, may be made to legally established nonconforming permanent signs.~~

~~—(2) A legally established nonconforming permanent sign may be restored, reconstructed, altered or repaired only in conformance with the provisions of this Article X. A sign shall be brought into conformance with all requirements of this Article X if it:~~

~~—(A) Is changed structurally as stated in subsection (f) above;~~

~~—(B) Is damaged in excess of 50% of the replacement cost, established by a qualified appraiser; or~~

~~—(C) Is temporarily or permanently removed by any means, including an act of God.~~

~~—Exception: Refer to subsection (f)(4) above.~~

~~—(3) Additional requirements for nonconformities are set forth in § [21.504](#) of this code.~~

~~—(h) *Basic design elements for specific signs.*~~

~~—(1) *Wall sign.*~~

~~—(A) A wall sign shall not extend outward more than 24 inches from the building or structure wall.~~

~~—(B) A wall sign shall not extend above the roof or parapet line.~~

~~—(C) The linear measurement of any wall sign shall not exceed 80% of the linear frontage of the applicable facade of the building.~~

~~—(D) All wall signs on the multiple elevations of a building must be of the same construction (channel or cabinet). The intent is for a uniformity of construction. At the time of adoption, there may be signs on walls that consist of a combination of cabinet sign construction~~

and channel sign construction. As long as that combination exists, the maximum sign area shall be based on area calculations for cabinet sign construction. The building owner must select one type of construction or the other for all future wall signs. When a sign is of channel construction, up to 25% of the total sign surface area installed may be constructed as a cabinet sign for the purposes of presenting a logo or tag line, installed pursuant to subsection (c)(2) above.

—(2) *Awning sign.*

—(A) The frame for the awning shall be non-corrosive galvanized metal or aluminum.

—(B) The awning shall have a maximum projection of four feet unless a structural permit is obtained.

—(C) The electrical service shall be UL listed or its equivalent damp location fixtures. The Manager of Building and Inspection shall determine if the equivalent damp location fixture is acceptable.

—(D) The material for the awning shall be flame retardant.

—(E) The sign area for an awning sign shall be located in the lower 40% of the vertical dimension of the awning.

—(F) The linear measurement of any awning sign shall not exceed 80% of the linear frontage of the applicable facade of the building.

—(3) *Signs(s) with changeable copy.* The sign face for a sign with changeable copy shall be opaque with reversed letters.

—(4) *Electronic changeable copy sign.* Electronic changeable copy signs must meet the following standards. When attached to walls, electronic changeable copy signs are classified as cabinet signs.

—(A) *Location.* The sign must be located on the site of the use identified or advertised by the sign.

—(B) *District limitations.* The sign must not be located in a Bluff Protection Overlay (BP) District.

—(C) *Setback from residential.* Except for price signs designed to change infrequently, the leading edge of the sign in a nonresidential zoning district must be a minimum distance of 100 feet from any parcel that is both residentially zoned and residentially used.

—(D) *Setback from other electronic changeable copy, electronic graphic display or video display signs.* Electronic changeable copy signs must be separated from other electronic changeable copy signs, electronic graphic display signs or video display signs by at least 35 feet.

—(E) *Orientation.* Except for price signs designed to change infrequently, when located within 150 feet of a residentially-used lot in a residential zone, all parts of the electronic changeable copy sign must be oriented so that no portion of the sign face is visible from an existing or permitted principal structure on that lot.

—(F) *Duration.* Any portion of the message must have a minimum duration of eight seconds and must be a static display. No portion of the message may flash, scroll, twirl, change color, fade in or out or in any manner imitate movement.

—(G) *Luminance levels.* Luminance levels must comply with § 21.301.07(c)(5).

~~— (H) *Limited text.* The text of the sign must be limited to ten words to allow passing motorists to read the entire copy with minimal distraction.~~

~~— (I) *Audio or pyrotechnics.* Audio speakers or any form of pyrotechnics are prohibited in association with an electronic changeable copy sign.~~

~~— (5) *Video display sign.* Video display signs must meet the following standards. When attached to walls, video display signs are classified as cabinet signs.~~

~~— (A) *Location.* The sign must be located on the site of the use identified or advertised by the sign.~~

~~— (B) *District limitations.* The sign must not be located in a Residential (R-1, R-1A, RS-1, R-3, R-4, RM-12, RM-24, RM-50, RM-100, RO-24), Conservation, or Bluff Protection Overlay (BP) District.~~

~~— (C) *Reserved.*~~

~~— (D) *Setback from other electronic graphic display, electronic changeable copy or video display signs.* Video display signs must be separated from other electronic graphic display, electronic changeable copy signs, or video display signs by at least 35 feet.~~

~~— (E) *Orientation.* In all districts the video display sign must be oriented so that no portion of the sign face is visible from an existing or permitted principal structure on any residential lot; visible from any traveled highway, street, park or conservation or bluff district; and that the placement, illumination and orientation of the sign face relative to internal driveways meets traffic safety standards.~~

~~— (F) *Brightness.* The sign must not exceed a maximum luminance of 6,500 nits (candelas per square meter) during daylight hours and a maximum luminance as specified in § 21.301.07(c)(5) between dusk to dawn as measured from the sign's face at maximum brightness.~~

~~— (G) *Dimmer control.* Video display signs must have an automatic dimmer control to produce a distinct illumination change from a higher illumination level to a lower level for the time period between one-half hour before sunset and one-half hour after sunrise.~~

~~— (H) *Audio or pyrotechnics.* Audio speakers or any form of pyrotechnics are prohibited in association with a video display sign.~~

~~— (6) *Electronic graphic display sign.* Electronic graphic display signs must meet the following standards. When attached to walls, electronic graphic display signs are classified as cabinet signs.~~

~~— (A) *Location.* The sign must be located on the site of the use identified or advertised by the sign.~~

~~— (B) *District imitations.* The sign must not be located in a Conservation, Bluff Protection Overlay (BP) District or Residential District (R-1, R-1A, RS-1, R-3, R-4, RM-12, RM-24, RM-50, RM-100, RO-24).~~

~~— (C) *Setback from residential.* The leading edge of the sign must be a minimum distance of 100 feet from any parcel that is both residentially zoned and residentially used.~~

~~— (D) *Setback from other electronic graphic display, electronic changeable copy or video display signs.* Electronic graphic display signs must be separated from other electronic graphic display, electronic changeable copy signs, or video display signs by at least 35 feet.~~

~~— (E) *Orientation.* When located within 150 feet of a residentially-used lot in a residential zone, any part of the electronic graphic display sign must be oriented so that no portion of the sign face is visible from an existing or permitted principal structure on that lot.~~

~~— (F) *Duration.* In all districts any portion of the image must have a minimum duration of 20 minutes and must be a static display. No portion of the image may flash, scroll, twirl, change color, or in any manner imitate movement.~~

~~— (G) *Brightness.* The sign must not exceed a maximum luminance of 6,500 nits (candelas per square meter) during daylight hours and a maximum luminance as specified in § 21.301.07(c)(5) between dusk to dawn as measured from the sign's face at maximum brightness.~~

~~— (H) *Dimmer control.* Electronic graphic display signs must have an automatic dimmer control to produce a distinct illumination change from a higher illumination level to a lower level for the time period between one-half hour before sunset and one-half hour after sunrise.~~

~~— (I) *Audio or pyrotechnics.* Audio speakers or any form of pyrotechnics are prohibited in association with an electronic graphic display sign.~~

~~— (7) *Multi-vision sign.* Multi-vision signs must meet the following standards. When attached to walls, multi-vision signs are classified as cabinet signs.~~

~~— (A) *Location.* The sign must be located on the site of the use identified or advertised by the sign.~~

~~— (B) *District limitations.* The sign must not be located in a Conservation, Bluff Protection Overlay (BP) District or Residential District (R-1, R-1A, RS-1, R-3, R-4, RM-12, RM-24, RM-50, RM-100, RO-24).~~

~~— (C) *Setback from residential.* The leading edge of the sign must be a minimum distance of 100 feet from any parcel that is both residentially zoned and residentially used.~~

~~— (D) *Setback from other multi-vision signs.* Multi-vision signs must be separated from other multi-vision signs by at least 35 feet.~~

~~— (E) *Orientation.* When located within 150 feet of a residentially-used lot in a residential zone, any part of the multi-vision sign must be oriented so that no portion of the sign face is visible from an existing or permitted principal structure on that lot.~~

~~— (F) *Duration.* In all districts any image or message or portion thereof must have a minimum duration of eight seconds and must be a static display. Transition time must be no longer than two seconds.~~

~~— (G) *Default mechanism.* All multi-vision signs must be equipped with a properly functioning default mechanism that will stop the sign in one position should a malfunction occur.~~

~~— (H) *Audio or pyrotechnics.* Audio speakers or any form of pyrotechnics are prohibited in association with a multi-vision sign.~~

~~— (8) *Time and temperature sign.* Time and temperature signs must meet the following standards. When attached to walls, time and temperature signs are classified as cabinet signs.~~

~~— (A) *Location.* The sign must be located on the site of the use advertised or identified by the sign.~~

~~— (B) *District limitations.* The sign must not be located in Residential (R-1, R-1A, RS-1, R-3, R-4, RM-12, RM-24, RM-50, RM-100, RO-24), Conservation or Bluff Protection Overlay (BP) District.~~

~~— (C) *Duration.* Time and temperature signs must have a minimum display duration of two seconds that is static during each individual message. No portion of the message may flash, scroll, twirl, change color, fade in or out or in any manner imitate movement.~~

~~— (D) *Audio or pyrotechnics.* Audio speakers or any form of pyrotechnics are prohibited in association with a time and temperature sign.~~

~~— (E) *Brightness.* The sign must not exceed a maximum luminance of 6,500 nits (candelas per square meter) during daylight hours and a maximum luminance as specified in § 21.301.07(c)(5).~~

~~— (9) *Rotating signs.*~~

~~— (A) No sign shall have rotating or moving parts that revolve at a speed in excess of seven revolutions per minute.~~

~~— (i) *Master Sign Plan.* Flexibility to the sign standards, for number, size, location, and type, within the South Loop District Plan may be approved at the reasonable discretion of the City Council through the master sign plan process outlined in § 21.501.06.~~

~~§ 19.109 UNIFORM SIGN DESIGN.~~

~~— (a) *Purpose.* The City Council finds that the intent of uniform sign design requirements is to develop signage in an imaginative and creative manner for a building, project or development. Such signs shall complement the architectural design of the building, project or development and shall have a visual continuity. The signs, due to their visual continuity, shall provide an index to the visual environment by providing a sense of place and reducing confusion.~~

~~— (b) *Requirements.*~~

~~— (1) *Properties required to have a uniform sign design.* A uniform sign design is required for:~~

~~— (A) A single tenant building, project or development where there is more than one building; and~~

~~— (B) All multiple tenant buildings, projects or developments.~~

~~— (2) *Other special signs.* Other signs may be affected by a uniform sign design. Refer to regulations of specific sign class districts, §§ 19.110 through 19.115 and specific categories in Division E, §§ 19.116 through 19.127 of this code.~~

~~— (3) *Design consistent with sign ordinance.* A uniform sign design for a building, project or development shall abide by and be consistent with all the regulations as set forth in this Article X.~~

~~— (c) *Elements of a uniform sign design.*~~

~~— (1) *General information.* Shop drawings shall be submitted for all signs. Shop drawings shall include material/construction, illumination and type (specify freestanding ground, monument or pylon sign or building wall, awning or canopy sign or directional sign or incidental sign).~~

~~— (2) *Freestanding identification signs.*~~

~~— (A) In addition to subsection (c)(1) above, the specifications for all freestanding identification signs shall include sign size, height and location (including setbacks).~~

~~— (B) An accurate site plan to engineer's scale locating the proposed signs shall also be submitted.~~

~~— (3) *Building identification signs.*~~

~~— (A) In addition to subsection (c)(1) above, the specifications for building identification signs shall include the location of the sign band (height, width, location on building), size of letters for upper and lower case script including ascenders and descenders, placement of signage within the sign band (vertical and horizontal location), and the appropriate distance between signs, how the signs are attached to the building, the guidelines for handling logos and multiple line signage.~~

~~— (B) Elevation drawings showing the proposed signs shall also be submitted.~~

~~— (d) *Elements of a uniform sign design which shall have visual continuity.*~~

~~— (1) *Freestanding identification signs and wall signs.* The following shall be specified: materials, illumination, base and/or sign framework and background.~~

~~— (2) *Wall signs.*~~

~~— (A) In addition to the information requested in subsection (d)(1) above, the following shall be specified: definition of the sign area, internal electrical service, and if the wall sign is on an exposed raceway, the color of the raceway shall be specified.~~

~~— (B) All wall signs on the multiple elevations of a building must be of the same construction (channel or cabinet). The intent is for a uniformity of construction. At the time of adoption, there may be signs on walls that consist of a combination of cabinet sign construction and channel sign construction. As long as that combination exists, the maximum sign area shall be based on area calculations for cabinet sign construction. The building owner must select one type of construction or the other for all future wall signs. When a sign is of channel construction, up to 25% of the total sign surface area installed may be constructed as a cabinet sign for the purposes of presenting a logo or tag line, installed pursuant to § 19.108(c)(2).~~

~~— Exception: an awning sign, if allowed in the sign district, may be used with a wall sign if the sign on the awning is eight inches or less in height and in the lowest section of the awning.~~

~~— (e) *Requirement for sign permit.* A uniform sign design shall be approved by the issuing authority for all affected sites prior to the approval of any sign permits for that site.~~

DIVISION D: DISTRICT PROVISIONS

§ 19.110 CLASS I SIGN DISTRICTS (R-1, R-1A, RS-1, SC).

~~— (a) *Regulations for freestanding identification signs.* All freestanding identification signs shall be located on the site of the use and are subject to any additional provisions of § 19.108(h).~~

~~— (1) *Where permitted.*~~

~~— (A) *Ground signs.*~~

~~— (i) *Residential uses.* Ground signs shall be permitted only for neighborhood identification signs.~~

~~— (ii) *Nonresidential uses.* Ground signs shall be permitted.~~

~~— (B) *Monument signs.* Monument signs shall not be permitted.~~

~~— (C) *Pylon signs.* Pylon signs shall not be permitted.~~

~~— (2) *Maximum sign height; ground signs.*~~

~~— (A) No part of the sign face or the sign support structure of a ground sign shall be more than eight feet above final grade, subject to the provisions of § 19.108(c).~~

~~— (3) *Minimum setbacks, front.* The minimum setback for all freestanding identification signs shall be 15 feet from any public street right-of-way line.~~

~~— (4) *Minimum setbacks, side and rear.* No freestanding identification sign shall be located closer than five feet to a side or rear property line.~~

~~— (5) *Maximum sign area and number of signs.*~~

~~— (A) *Residential uses (neighborhood identification).* Two freestanding ground signs shall be permitted with a maximum allowable size of 40 square feet each per neighborhood.~~

~~— (B) *Nonresidential uses.*~~

~~— (i) One freestanding ground sign shall be permitted with a maximum allowable size of 40 square feet; or~~

~~— (ii) If the nonresidential use has two public street frontages, one freestanding ground sign shall be permitted per street frontage with a maximum size of 24 square feet per sign. The nonresidential use shall be permitted signs on no more than two public street frontages.~~

~~— (6) *Illumination.* Illumination shall be permitted.~~

~~— There shall be a minimum distance of 50 feet between the leading edge of the illuminated sign and any parcel that is both residentially zoned and residentially used. See §§ 19.108(d) and 21.301.07(c)(5) for additional provisions on illumination and luminance.~~

~~— (b) *Regulations for building identification signs.* All building identification signs shall be located on the site of the use and are subject to any additional provisions of § 19.108(h).~~

~~— (1) *Wall signs.*~~

~~— (A) *Maximum size and number of signs.*~~

~~— (i) *Residential uses.* Wall signs shall not be permitted.~~

~~— (ii) *Nonresidential uses.*~~

~~— (aa) In addition to the permitted freestanding sign for a public street frontage, a nonresidential use in a single-family residential district may elect to have one wall sign oriented towards that public street frontage. The maximum allowable sign surface area for the wall sign shall be 24 square feet; the wall sign shall be channel construction and may include one logo or tag line of cabinet construction incorporated into each wall sign, anywhere within the allowed sign area up to a maximum of 25% of the sign, installed pursuant to § 19.108(c)(2).~~

~~— (bb) One wall entrance sign of 12 square feet of channel construction may be placed adjacent to any entrance to the nonresidential use.~~

~~— (cc) In addition to the permitted freestanding sign for a public street frontage, a nonresidential use in a Conservation District may elect to have one wall sign of up to 100~~

~~square feet oriented towards that public street frontage. (Also see § 19.120, Signs for high usage parks.)~~

~~— (B) *Distance from side or rear lot line when abutting any dwelling district.* A wall sign is allowed only on a wall facing a public street. A wall entrance sign is not required to face a public street.~~

~~— (C) *Illumination.* A wall sign may be illuminated if it does not face a single-family or a two-family residential use. See §§ 19.108(d) and 21.301.07(c)(5) for additional provisions on illumination and luminance.~~

~~— (2) *Roof signs.* Roof signs shall not be permitted.~~

~~— (3) *Roof-integral signs.* Roof-integral signs shall not be permitted.~~

~~— (4) *Projecting signs.* Projecting signs shall not be permitted.~~

~~— (5) *Awning signs.* Awning signs shall not be permitted.~~

~~— (6) *Canopy signs.* Canopy signs shall not be permitted.~~

~~— (7) *Marquee signs.* Marquee signs shall not be permitted.~~

~~— (8) *Suspended signs.* Suspended signs shall not be permitted.~~

~~— (9) *Window signs.* Window signs shall not be permitted.~~

~~— (c) *Other signs.* All other signs shall be located on the site of the use unless specified otherwise.~~

~~— (1) *Directional signs.* See § 19.116.~~

~~— (2) *Incidental signs.* See § 19.117.~~

~~— (3) *Other regulated signs exempt from sign permits.*~~

~~— (A) *Balloons less than 24 inches in diameter.* See § 19.105(c)(1).~~

~~— (B) *Boutique sales sign.* See § 19.105(c)(2).~~

~~— (C) *Building marker.* See § 19.105(c)(3).~~

~~— (D) *Construction sign, project (commercial, industrial and residential for projects of six or more lots or multiple-family projects).* See § 19.105(c)(4).~~

~~— (E) *Flags, noncommercial.* See § 19.105(c)(5).~~

~~— (F) *Garage sale signs.* See § 19.105(c)(6).~~

~~— (G) *Home improvement/home construction/home remodeling signs.* See § 19.105(c)(7).~~

~~— (H) *Home security signs.* See § 19.105(c)(8).~~

~~— (I) *Interior signs.* See § 19.105(c)(9).~~

~~— (J) *Reserved.*~~

~~— (K) *Official signs and notices.* See § 19.105(c)(11).~~

~~— (L) *Political signs.* See § 19.105(c)(12).~~

~~— (M) *Public notices.* See § 19.105(c)(13).~~

- ~~— (N) *Public utility signs.* See § 19.105(c)(14).~~
- ~~— (O) *Real estate signs.* See § 19.105(c)(15).~~
- ~~— (P) *Residential name plates.* See § 19.105(c)(16).~~
- ~~— (Q) *Tombstones.* See § 19.105(c)(17).~~
- ~~— (R) *Traffic control signs.* See § 19.105(c)(18).~~
- ~~— (S) *Signs not visible from the public right-of-way.* See § 19.105(c)(24).~~
- ~~— (4) *Prohibited signs.* See § 19.106.~~
- ~~— (5) *Signs for specific uses.* Sign regulations listed for specific uses in Division E, Special Provisions, shall take precedence over sign regulations listed in Division D, District Provisions.~~
- ~~— (A) *Signs for high usage parks.* See § 19.120.~~
- ~~— (B) *Historic signs.* See § 19.125.~~
- ~~— (6) *Temporary signs.*~~
 - ~~— (A) *Temporary signs for places of worship, school, parks and public buildings.* See § 19.118.~~
 - ~~— (B) *Temporary signs for commercial promotions.* See § 19.119.~~
- ~~— (d) *Uniform sign design.* A uniform sign design is required for all nonresidential uses having more than one sign. See § 19.109.~~

~~§ 19.111 CLASS II SIGN DISTRICTS (R-3, R-4, RM-12, RM-24, RM-50, RM-50, RM-100, RO-24).~~

- ~~— (a) *Regulations for freestanding identification signs.* All freestanding identification signs shall be located on the site of the use.~~
 - ~~— (1) *Where permitted.*~~
 - ~~— (A) *Ground signs.* Ground signs shall be permitted.~~
 - ~~— (B) *Monument signs.* Monument signs shall not be permitted.~~
 - ~~— (C) *Pylon signs.* Pylon signs shall not be permitted.~~
 - ~~— (2) *Maximum sign height.*~~
 - ~~— (A) *Ground signs.* No part of the sign face or the sign support structure of a ground sign shall be more than eight feet above final grade, subject to the provisions of § 19.108(c).~~
 - ~~— (3) *Minimum setbacks, front.* The minimum setback for all freestanding identification signs shall be 15 feet from any public street right-of-way line.~~
 - ~~— (4) *Minimum setbacks, side and rear.* No freestanding identification sign shall be located closer than five feet to a side or rear property line.~~
 - ~~— (5) *Maximum sign area and number of signs.*~~
 - ~~— (A) One freestanding ground sign shall be permitted with a maximum allowable size of 40 square feet; or~~

~~— (B) If the use has two or more public street frontages, one freestanding ground sign shall be permitted per public street frontage with a maximum size of 24 square feet per sign. Freestanding identification signs shall be permitted on no more than two street frontages.~~

~~— (6) *Illumination.* Illumination shall be permitted.~~

~~— There shall be a minimum distance of 50 feet between the leading edge of any illuminated sign and any parcel that is both residentially zoned and residentially used. See §§ 19.108(d) and 21.301.07(c)(5) for additional provisions on illumination and luminance.~~

~~— (b) *Regulations for building identification signs.* All building identification signs shall be located on the site of the use and are subject to any additional provisions of § 19.108(h).~~

~~— (1) *Wall signs.* In lieu of a permitted freestanding sign for a street frontage, the use may elect to have one wall sign oriented towards that street frontage.~~

~~— (A) *Maximum size and number of signs.* The maximum allowable sign surface area for the wall sign shall be 24 square feet; the wall sign shall be channel construction and may include one logo or tag line of cabinet construction incorporated into each wall sign, anywhere within the allowed sign area, up to a maximum of 25% of the sign installed.~~

~~— (B) *Distance from side or rear lot line when abutting any dwelling district.* A wall sign is allowed only on a wall facing a public street.~~

~~— (C) *Illumination.* A wall sign may be illuminated if it does not face a single-family residential use. See §§ 19.108(d) and 21.301.07(c)(5) for additional provisions on illumination and luminance.~~

~~— (2) *Roof signs.* Roof signs shall not be permitted.~~

~~— (3) *Roof-integral signs.* Roof-integral signs shall not be permitted.~~

~~— (4) *Projecting signs.* Projecting signs shall not be permitted.~~

~~— (5) *Awning signs.* Awning signs shall not be permitted.~~

~~— (6) *Canopy signs.*~~

~~— (A) *Maximum size and number of signs.* One canopy sign with a maximum size of six square feet shall be allowed per principal building entrance. The sign shall be located on the front face of the canopy.~~

~~— (B) *Distance from side or rear lot line when abutting any dwelling district.* There are no minimum side and rear setbacks.~~

~~— (C) *Illumination.* Illumination shall be established during the review of final site and building plans. Approval shall be based on security and glare. See §§ 19.108(d) and 21.301.07(c)(5) for additional provisions on illumination and luminance.~~

~~— (D) *Other.* No canopy shall be installed without approval of or revision to the final site and building plans or final development plans.~~

~~— (7) *Marquee signs.* Marquee signs shall not be permitted.~~

~~— (8) *Suspended signs.* Suspended signs shall not be permitted.~~

~~— (9) *Window signs.* Window signs shall not be permitted.~~

~~—(c) Other signs. All other signs shall be located on the site of the use unless specified otherwise.~~

~~—(1) Directional signs. See § 19.116.~~

~~—(2) Incidental signs. See § 19.117.~~

~~—(3) Other regulated signs exempt from sign permits and licenses.~~

~~—(A) Balloons less than 24 inches in diameter. See § 19.105(c)(1).~~

~~—(B) Boutique sales sign. See § 19.105(c)(2).~~

~~—(C) Building marker. See § 19.105(c)(3).~~

~~—(D) Construction sign, project (commercial, industrial and residential for projects of six or more lots or multiple-family projects). See § 19.105(c)(4).~~

~~—(E) Flags, noncommercial. See § 19.105(c)(5).~~

~~—(F) Garage sale signs. See § 19.105(c)(6).~~

~~—(G) Home security signs. See § 19.105(c)(8).~~

~~—(H) Interior signs. See § 19.105(c)(9).~~

~~—(I) Reserved.~~

~~—(J) Official signs and notices. See § 19.105(c)(11).~~

~~—(K) Political signs. See § 19.105(c)(12).~~

~~—(L) Public notices. See § 19.105(c)(13).~~

~~—(M) Public utility signs. See § 19.105(c)(14).~~

~~—(N) Real estate signs. See § 19.105(c)(15).~~

~~—(O) Residential name plates. See § 19.105(c)(16).~~

~~—(P) Tombstones. See § 19.105(c)(17).~~

~~—(Q) Traffic control signs. See § 19.105(c)(18).~~

~~—(4) Prohibited signs. See § 19.106.~~

~~—(5) Signs for specific uses. Sign regulations listed for specific uses in Division E, Special Provisions, shall take precedence over sign regulations listed in Division D, District Provisions.~~

~~—(6) Temporary signs.~~

~~—(A) Temporary signs for places of worship, school, parks and public buildings. See § 19.118.~~

~~—(B) Temporary signs for commercial promotions. See § 19.119.~~

~~—(d) Uniform sign design. See § 19.109.~~

§ 19.112 CLASS III SIGN DISTRICTS (B-1, I-1).

~~—(a) Regulations for freestanding identification signs. All freestanding identification signs shall be located on the site of the use.~~

~~—(1) *Where permitted.*~~

~~—(A) *Ground signs.* Ground signs shall be permitted.~~

~~—(B) *Monument signs.* Monument signs shall not be permitted.~~

~~—(C) *Pylon signs.* Pylon signs shall not be permitted.~~

~~—(2) *Maximum sign height; ground signs.*~~

~~—(A) No part of the sign face or the sign support structure of a ground sign shall be more than eight feet above final grade, subject to the provisions of § 19.108(c).~~

~~—(3) *Minimum setbacks, front.* The minimum setback for all freestanding identification signs shall be 20 feet from any public street right-of-way line.~~

~~—(4) *Minimum setbacks, side and rear.* No freestanding identification sign shall be located closer than five feet to a side or rear property line.~~

~~—(5) *Maximum sign area and number of signs.* The maximum sign area of a freestanding identification sign shall not exceed 64 square feet. One freestanding sign shall be permitted per public street frontage.~~

~~—(6) *Illumination.*~~

~~—(A) Illumination shall be permitted.~~

~~—(B) There shall be a minimum distance of 50 feet between the leading edge of any illuminated sign and any parcel that is both residentially zoned and residentially used. See §§ 19.108(d) and 21.301.07(c)(5) for additional provisions on illumination and luminance.~~

~~—(b) *Regulations for building identification signs.* All building identification signs shall be located on the site of the use and are subject to any additional provisions of § 19.108(h).~~

~~—(1) *Wall signs.*~~

~~—(A) *General regulations.*~~

~~—(i) In lieu of a freestanding sign for a public street frontage, the use may elect to have one wall sign oriented towards that public street frontage.~~

~~—(ii) If the building is a multiple tenant building and the separate ground level exterior public entrance for a tenancy does not face a public street frontage, the use may elect to have a wall sign on the same elevation as the ground level exterior public entrance.~~

~~—(B) *Maximum size of signs.* The maximum allowable sign surface area for the wall sign shall be 100 square feet; the wall sign shall be channel construction and may include one logo or tag line of cabinet construction incorporated into each wall sign, anywhere within the allowed sign area, up to a maximum of 25% of the sign installed.~~

~~—(C) *Distance from side or rear lot line when abutting any dwelling district.* There are no minimum side and rear setbacks.~~

~~—(D) *Illumination.* A wall sign may be illuminated if it does not face a single-family residential use. See §§ 19.108(d) and 21.301.07(c)(5) for additional provisions on illumination and luminance.~~

~~—(2) *Roof signs.* Roof signs shall not be permitted.~~

~~—(3) *Roof-integral signs.* Roof-integral signs shall not be permitted.~~

~~—(4) *Projecting signs.* Projecting signs shall not be permitted.~~

~~—(5) *Awning signs.* Awning signs shall not be permitted.~~

~~—(6) *Canopy signs.*~~

~~—(A) *Maximum size and number of signs.* One canopy sign with a maximum of ten square feet shall be allowed per principal building entrance. The sign shall be located on the front face of the canopy.~~

~~—(B) *Distance from side or rear lot line when abutting any dwelling district.* There are no minimum side and rear setbacks.~~

~~—(C) *Illumination.* Illumination shall be established during the review of final site and building plans. Approval shall be based on security and glare. See §§ 19.108(d) and 21.301.07(c)(5) for additional provisions on illumination and luminance.~~

~~—(D) *Plan approval.* No canopy shall be installed without approval of or revision to the final site and building plans or final development plans.~~

~~—(7) *Marquee signs.* Marquee signs shall not be permitted.~~

~~—(8) *Suspended signs.* Suspended signs shall not be permitted.~~

~~—(9) *Window signs.* Window signs shall not be permitted.~~

~~—(c) *Other signs.* All other signs shall be located on the site of the use unless specified otherwise.~~

~~—(1) *Directional signs.* See § 19.116.~~

~~—(2) *Incidental signs.* See § 19.117.~~

~~—(3) *Other regulated signs exempt from sign permits.*~~

~~—(A) *Balloons less than 24 inches in diameter.* See § 19.105(c)(1).~~

~~—(B) *Building marker.* See § 19.105(c)(3).~~

~~—(C) *Construction sign, project (commercial, industrial and residential for projects of six or more lots or multiple-family projects).* See § 19.105(c)(4).~~

~~—(D) *Flags, noncommercial.* See § 19.105(c)(5).~~

~~—(E) *Interior signs.* See § 19.105(c)(9).~~

~~—(F) *Reserved.*~~

~~—(G) *Official signs and notices.* See § 19.105(c)(11).~~

~~—(H) *Political signs.* See § 19.105(c)(12).~~

~~—(I) *Public notices.* See § 19.105(c)(13).~~

~~—(J) *Public utility signs.* See § 19.105(c)(14).~~

~~—(K) *Real estate signs.* See § 19.105(c)(15).~~

~~—(L) *Tombstones.* See § 19.105(c)(17).~~

~~—(M) *Traffic control signs.* See § 19.105(c)(18).~~

~~—(4) *Prohibited signs.* See § 19.106.~~

~~—(5) *Signs for specific uses.* Sign regulations listed for specific uses in Division E, Special Provisions, shall take precedence over sign district regulations listed in Division D, District Provisions.~~

~~—(A) *Signs for hotels.* See § 19.121.~~

~~—(B) *Signs for convenience facility with fuel sales.* See § 19.123.~~

~~—(6) *Temporary signs.*~~

~~—(A) *Temporary signs for places of worship, school, parks and public buildings.* See § 19.118.~~

~~—(B) *Temporary signs for commercial promotions.* See § 19.119.~~

~~—(7) *Anti-blight regulations.* See Article VIII.~~

~~—(d) *Uniform sign design.* See § 19.109.~~

~~§ 19.113 CLASS IV SIGN DISTRICTS (B-2, C-1, C-4, IP, I-2, I-3, CO-1, CS-0.5, CS-1, FD-2, IT).~~

~~—(a) *Regulations for freestanding identification signs.* All freestanding identification signs must be located on the site of the use.~~

~~—(1) *Where permitted.*~~

~~—(A) *Ground signs.* Ground signs are permitted.~~

~~—(B) *Monument signs.* Monument signs are permitted.~~

~~—Exception: there must be no monument signs in the I-2 and IP Zoning District.~~

~~—(C) *Pylon signs.* Pylon signs are permitted.~~

~~—Exception: there must be no pylon signs in the I-2, IP, and IT Zoning District.~~

~~—(2) *Maximum sign height.*~~

~~—(A) *Ground signs.* No part of the sign face or the sign support structure of a ground sign shall be more than eight feet above final grade, subject to the provisions of § 19.108(c).~~

~~—(B) *Monument signs.* No part of the sign face or the sign support structure of a monument sign shall be more than 20 feet above final grade, subject to the provisions of § 19.108(c).~~

~~—(C) *Pylon signs.* No part of the sign face or the sign support structure of a pylon sign shall be more than 20 feet above final grade, subject to the provisions of § 19.108(c).~~

~~—(3) *Minimum setbacks, front.* The minimum setback for all freestanding identification signs shall be 20 feet from any public street right-of-way line.~~

~~—(4) *Minimum setbacks, side and rear.* No freestanding identification sign shall be located closer than five feet to a side or rear property line.~~

~~—(5) *Maximum sign area and number of signs.* One freestanding identification sign shall be allowed per public street frontage.~~

~~— (A) Single tenant site and multiple tenant site with less than 100 linear feet of building length on a street frontage.~~

~~— (i) Ground sign. The maximum sign surface area for a ground sign shall not exceed 100 square feet.~~

~~— (ii) Monument sign. The maximum sign surface area for a monument sign shall not exceed 100 square feet.~~

~~— (iii) Pylon sign. The maximum sign surface area for a pylon sign shall not exceed 75 square feet.~~

~~— (B) Multiple tenant site with 100 or more linear feet of building length on a street frontage.~~

~~— (i) Ground sign. The maximum sign surface area for a ground sign shall be 100 square feet for 100 linear feet or less of building length on a street frontage. One square foot may be added for each linear foot over 100 feet up to a maximum sign surface area of 150 square feet.~~

~~— (ii) Monument sign. The maximum sign surface area for a monument sign shall be 100 square feet for 100 linear feet or less of building length on a street frontage. One square foot may be added for each linear foot over 100 feet up to a maximum sign surface area of 150 square feet.~~

~~— (iii) Pylon sign. The maximum sign surface area for a pylon sign shall be 75 square feet for 100 linear feet or less of building length on a street frontage. One square foot may be added for each linear foot over 100 feet up to a maximum sign surface area of 125 square feet.~~

~~— (6) Illumination.~~

~~— (A) Illumination shall be permitted.~~

~~— (B) Exception: there shall be a minimum distance of 100 feet between the leading edge of any illuminated sign and any parcel that is both residentially zoned and residentially used. See §§ 19.108(d) and 21.301.07(c)(5) for additional provisions on illumination and luminance.~~

~~— (b) Regulations for building identification signs.~~

~~— (1) General requirements.~~

~~— (A) All building identification signs shall be located on the site of the use.~~

~~— (2) Wall signs.~~

~~— (A) General regulations.~~

~~— (i) In addition to subsection (b)(2)(A)(ii) below:~~

~~— (aa) Any combination or number of building identification signs may be utilized, so long as the total surface of signs on a particular building elevation does not exceed the maximums noted in subsection (b)(2)(B) below and subject to any additional provisions of §§ 19.08(h) and 19.109. See § 19.107(f) for computation of the elevation area.~~

~~— (bb) The linear measurement of any wall sign shall not exceed 80% of the linear frontage of the applicable facade of the building.~~

~~———— (ii) Wall signs are permitted on two elevations of a building, a primary and a secondary elevation . Designation of the elevations as primary and secondary elevations shall be selected by the site owner and specified in the uniform sign design for the site . A building with more than one public street frontage is permitted one primary elevation per street frontage ; no secondary elevation signage is allowed if the site has more than one primary elevation utilizing signage.~~

~~———— (aa) Except as allowed by § 19.38.01 of this code, the sign area allowed on one elevation may not be allocated, in whole or in part, to another elevation .~~

~~———— (bb) A building utilizing signage for more than one elevation shall have signage of the same construction (channel or cabinet) on the other elevation . For signs of channel construction, one logo or tag line of cabinet construction may be incorporated into each wall sign , anywhere within the allowed sign area, up to a maximum of 25% of the sign installed.~~

~~———— (cc) Awning signs are counted as wall signs for the computation of allowed signage on a primary or secondary elevation. If an awning sign and a wall sign are used on the same wall face, the sign on the awning shall be eight inches or less in height and in the lowest section of the awning.~~

~~———— (dd) Canopy signs are not counted as wall signs for the computation of allowed signage on a primary or secondary elevation.~~

~~———— (iii) Buildings that have three or more elevations with separate ground level exterior public entrances for tenancy may elect to have wall signs on each elevation with an exterior public tenant entrance subject to the following:~~

~~———— (aa) Two elevations with separate ground level exterior public entrances must be designated as primary or secondary elevations as described in (A)(ii) above.~~

~~———— (bb) The remaining elevations with separate ground level exterior public entrances must be designated as additional elevations by the site owner and specified in the Uniform Sign Design for the site .~~

~~———— (B) *Maximum size of signs.*~~

~~———— (i) *Primary elevation.* The maximum sign surface area for all wall signs on each primary elevation shall not exceed one of the following:~~

~~———— (aa) For a single tenant building:~~

~~———— (AA) Fifty square feet;~~

~~———— (BB) If a cabinet sign is used, the sign area shall not exceed 8% of the area of the elevation , calculated in accordance with the requirements of § 19.107 of this code, up to a maximum of 100 square feet; or~~

~~———— (CC) If channel construction is used for all the signs, the maximum area of all signs on the primary elevation shall be determined in accordance with Table 19.113.1 below.~~

~~———— (bb) For a multiple tenant building:~~

_____ (AA) If a cabinet sign is used, the sign area shall not exceed 8% of the area of the elevation, calculated in accordance with the requirements above, up to a maximum of 100 square feet per cabinet;

_____ (BB) If channel construction is used for all of the signs, the maximum area of all signs on the primary elevation shall be determined in accordance with Table 19.113.1 below.

Table 19.113.1. Allowed Area of Wall Signs on Primary Elevations.					
Elevation Area of Wall		Maximum Allowable Elevation Sign Area			
From (Sq. Ft.)	To (Sq. Ft.)	Base Allowed Sign Area	Plus	of Area Over	To a Maximum Area of
0	4,000	0 sq. ft.	10%	0	400 sq. ft.
4,000	20,000	400 sq. ft.	5%	4,000	1,200 sq. ft.
20,000		1,200 sq. ft.	2%	20,000	2,000 sq. ft.

_____ (ii) *Secondary elevation.* The maximum sign surface area for all building identification signs on the secondary elevation shall not exceed the signage on the primary elevation and shall not exceed one of the following:

_____ (aa) For a single tenant building:

_____ (AA) Thirty-two square feet;

_____ (BB) If a cabinet sign is used, the sign area shall not exceed 4% of the area of the elevation, calculated in accordance with the requirements above, up to a maximum of 50 square feet per cabinet; or

_____ (CC) If channel construction are used for all of the signs, the maximum area of all signs on the secondary elevation shall be 10% of the elevation up to a maximum of 400 square feet.

_____ (bb) For a multiple tenant building:

_____ (AA) If a cabinet sign is used, the sign area shall not exceed 4% of the area of the elevation, calculated in accordance with the requirements above, up to a maximum of 50 square feet per cabinet; or

_____ (BB) If channel construction are used for all of the signs, the maximum area of all signs on the secondary elevation shall be determined in accordance with Table 19.113.2 below.

Table 19.113.2. Allowed Area of Wall Signs on Secondary Elevations.					
Elevation Area of Wall		Maximum Allowable Elevation Sign Area			
From (Sq. Ft.)	To (Sq. Ft.)	Base	Plus	of Area Over	To a Maximum Area of

		<i>Allowed Sign Area</i>			
0	4,000	0 sq. ft.	7%	0	280 sq. ft.
4,000	20,000	280 sq. ft.	3%	4,000	760 sq. ft.
20,000		760 sq. ft.	2%	20,000	1,240 sq. ft.

~~— (iii) *Additional elevation.* The maximum sign surface area for all building identification signs on the additional elevation shall not exceed the signage on the primary or secondary elevations and shall not exceed 30 square feet per tenant sign.~~

~~— (C) *Distance from side or rear lot line when abutting any dwelling district.* No wall sign facing the side or rear lot line of an abutting lot zoned as a residential district shall be located within 50 feet of such side or rear lot line.~~

~~— (D) *Illumination.* Illumination shall be permitted.~~

~~— Exception: there shall be a minimum distance of 100 feet between any illuminated wall sign and any parcel that is both residentially zoned and residentially used. See §§ 19.108(d) and 21.301.07(c)(5) for additional provisions on illumination and luminance.~~

~~— (3) *Roof signs.* Roof signs shall not be permitted.~~

~~— (4) *Roof-integral signs.* Roof-integral signs shall not be permitted.~~

~~— (5) *Projecting signs.* Projecting signs shall not be permitted.~~

~~— (6) *Awning signs.* No awning shall be installed without approval of or revision to the final site and building plans or final development plans. Any elevation approved for an awning shall be permitted awning signage. Awning signs are counted as wall signs for the computation of allowed signage on a primary or secondary elevation.~~

~~— (A) *Maximum size of signs.*~~

~~— (i) The maximum size of an awning sign shall be 8% of the facade to which the awning is attached to a maximum of 100 square feet. If the awning extends above the wall along the entire facade, the height of wall shall extend from the ground to the top of the awning.~~

~~— (ii) In addition to subsection (b)(6)(A)(i) above, the linear measurement of the sign on the awning shall not exceed 80% of the linear frontage of the awning.~~

~~— (B) *Distance from side or rear lot line when abutting any dwelling district.* No awning sign facing the side or rear lot line of an abutting lot zoned as a residential district shall be located closer than 50 feet to such side or rear lot line.~~

~~— (C) *Illumination.*~~

~~— (i) Illumination shall be permitted.~~

~~— (ii) Exception: there shall be a minimum distance of 200 feet between the leading edge of any illuminated awning sign and any parcel that is both residentially zoned and residentially~~

used. See §§ 19.108(d) and 21.301.07(c)(5) for additional provisions on illumination and luminance.

— (D) *Other.* No awning sign shall be allowed above the first floor of the building.

— (7) *Canopy signs.* No canopy shall be installed without approval of or revision to the final site and building plans or final development plans. Any elevation approved for a canopy shall be permitted canopy signage.

— (A) *Maximum size of signs and related regulations.*

— (i) The sign shall be located on the front face or edge of the canopy.

— (ii) The maximum size of a canopy sign shall be 8% of the front of the canopy to a maximum of 100 square feet.

— (iii) In addition to subsection (b)(6)(A)(i) above, the linear measurement of the sign on the canopy shall not exceed 80% of the linear frontage of the front face of the canopy.

— (B) *Distance from side or rear lot line when abutting any dwelling district.* No canopy sign facing the side or rear lot line of an abutting lot zoned as a residential district shall be located closer than 50 feet to such side or rear lot line.

— (C) *Illumination.* Illumination shall be permitted.

— Exception: there shall be a minimum distance of 200 feet between the leading edge of any illuminated canopy sign and any parcel that is both residentially zoned and residentially used. See §§ 18.108(d) and 21.301.07(c)(5) for additional provisions on illumination and luminance.

— (8) *Marquee signs.* Marquee signs shall not be permitted.

— (9) *Suspended signs.* Suspended signs shall not be permitted.

— (10) *Window signs.* Signs within a retail display window shall occupy a maximum of 25% of each retail display window.

— (c) *Other signs.* All other signs must be located on the site of the use unless specified otherwise.

— (1) *Directional signs.* See § 19.116.

— (2) *Incidental signs.* See § 19.117.

— (3) *Other regulated signs exempt from sign permits.*

— (A) *Building marker.* See § 19.105(c)(3).

— (B) *Construction sign, project (commercial, industrial and residential for projects of six or more lots or multiple-family projects).* See § 19.105(c)(4).

— (C) *Flags, noncommercial.* See § 19.105(c)(5).

— (D) *Interior signs.* See § 19.105(c)(9).

— (E) *Reserved.*

- ~~— (F) Official signs and notices. See § 19.105(c)(11).~~
- ~~— (G) Political signs. See § 19.105(c)(12).~~
- ~~— (H) Public notices. See § 19.105(c)(13).~~
- ~~— (I) Public utility signs. See § 19.105(c)(14).~~
- ~~— (J) Real estate signs. See § 19.105(c)(15).~~
- ~~— (K) Tombstones. See § 19.105(c)(17).~~
- ~~— (L) Traffic control signs. See § 19.105(c)(18).~~
- ~~— (4) Prohibited signs. See § 19.106.~~
- ~~— (5) Signs for specific uses. Sign regulations listed for specific uses in Division E, Special Provisions, shall take precedence over sign regulations listed in Division D, District Provisions.~~
- ~~— (A) Signs for hotels. See § 19.121.~~
- ~~— (B) Signs for Class I (new) motor vehicle sales. See § 19.122.~~
- ~~— (C) Signs for convenience facility with fuel sales. See § 19.123.~~
- ~~— (D) Signs for office buildings with seven or more stories. See § 19.124.~~
- ~~— (6) Temporary signs.~~
 - ~~— (A) Temporary signs for places of worship, schools, parks and public buildings. See § 19.118.~~
 - ~~— (B) Temporary signs for commercial promotions. See § 19.119.~~
 - ~~— (C) Temporary signs for approved interim uses in the IT Zoning District. See § 19.127.~~
- ~~— (7) Anti-blight regulations. See Article VIII.~~
- ~~— (d) Uniform sign design. See § 19.109.~~

§ 19.114 CLASS V SIGN DISTRICTS (CR-1, C-2, C-3).

- ~~— (a) Regulations for freestanding identification signs. All freestanding identification signs shall be located on the site of the use.~~
 - ~~— (1) For buildings, shopping centers, or planned developments with a gross floor area of greater than 100,000 square feet.~~
 - ~~— (A) Where permitted.~~
 - ~~— (i) Ground signs. Ground signs shall be permitted.~~
 - ~~— (ii) Monument signs. Monument signs shall be permitted.~~
 - ~~— (iii) Pylon signs. Pylon signs shall be permitted.~~
 - ~~— (B) Maximum sign height.~~
 - ~~— (i) For signs adjacent to I-35W, I-494, and TH-77.~~

~~_____ (aa) *Ground signs.* No part of the sign face or the sign support structure of a ground sign shall be more than eight feet above final grade, subject to the provisions of § 19.108(c).~~

~~_____ (bb) *Monument signs.* No part of the sign face or the sign support structure of a monument sign shall be more than 45 feet above final grade, subject to the provisions of § 19.108(c).~~

~~_____ (cc) *Pylon signs.* No part of the sign face or the sign support structure of a pylon sign shall be more than 45 feet above final grade, subject to the provisions of § 19.108(c).~~

~~_____ (ii) *For signs on other street frontages.*~~

~~_____ (aa) *Ground signs.* No part of the sign face or the sign support structure of a ground sign shall be more than eight feet above final grade, subject to the provisions of § 19.108(c).~~

~~_____ (bb) *Monument signs.* No part of the sign face or the sign support structure of a monument sign shall be more than 30 feet above final grade, subject to the provisions of § 19.108(c).~~

~~_____ (cc) *Pylon signs.* No part of the sign face or the sign support structure of a pylon sign shall be more than 30 feet above final grade, subject to the provisions of § 19.108(c).~~

~~_____ (C) *Maximum setbacks, front.* The minimum setback for all freestanding identification signs shall be 20 feet from any public street right-of-way line.~~

~~_____ (D) *Minimum setbacks, side and rear.* No freestanding identification sign shall be located closer than five feet to a side or rear property line.~~

~~_____ (E) *Maximum sign area and number of signs.* One freestanding identification sign shall be allowed per public street frontage.~~

~~_____ (i) *For signs adjacent to I-35W, I-494, and TH-77.* The maximum sign surface area for a ground, pylon, or monument sign shall be 250 square feet.~~

~~_____ (ii) *For signs on other street frontages.* The maximum sign surface area for a ground, pylon or monument sign shall be 150 square feet.~~

~~_____ (F) *Illumination.* Illumination shall be permitted.~~

~~_____ Exception: There shall be a minimum distance of 100 feet between the leading edge of any illuminated sign and any parcel that is both residentially zoned and residentially used. See §§ 19.108(d) and 21.301.07(c)(5) for additional provisions on illumination and luminance.~~

~~_____ (2) *For buildings, shopping centers, or planned developments with a gross floor area of 15,000 to 100,000 square feet.*~~

~~_____ (A) *Where permitted.*~~

~~_____ (i) *Ground signs.* Ground signs shall be permitted.~~

~~_____ (ii) *Monument signs.* Monument signs shall be permitted.~~

~~_____ (iii) *Pylon signs.* Pylon signs shall be permitted.~~

~~_____ (B) *Maximum sign height.*~~

~~_____ (i) *Ground signs.* No part of the sign face or the sign support structure of a ground sign shall be more than eight feet above final grade, subject to the provisions of § 19.108(c).~~

~~—— (ii) *Monument signs.* No part of the sign face or the sign support structure of a monument sign shall be more than 30 feet above final grade, subject to the provisions of § 19.108(c).~~

~~—— (iii) *Pylon signs.* No part of the sign face or the sign support structure of a pylon sign shall be more than 30 feet above final grade, subject to the provisions of § 19.108(c).~~

~~—— (C) *Maximum setbacks, front.* The minimum setback for all freestanding identification signs shall be 20 feet from any public street right-of-way line.~~

~~—— (D) *Minimum setbacks, side and rear.* No freestanding identification sign shall be located closer than five feet to a side or rear property line.~~

~~—— (E) *Maximum sign area and number of signs.*~~

~~—— (i) One freestanding identification sign shall be allowed per public street frontage.~~

~~—— (ii) The maximum sign surface area for a ground, pylon, or monument sign shall be 150 square feet.~~

~~—— (F) *Illumination.* Illumination shall be permitted.~~

~~—— Exception: there shall be a minimum distance of 100 feet between the leading edge of any illuminated sign and any parcel that is both residentially zoned and residentially used. See §§ 19.108(d) and 21.301.07(c)(5) for additional provisions on illumination and luminance.~~

~~—— (3) *For buildings, shopping centers or planned developments with a gross floor area of less than 15,000 square feet.*~~

~~—— (A) *Where permitted.*~~

~~—— (i) *Ground signs.* Ground signs shall be permitted.~~

~~—— (ii) *Monument signs.* Monument signs shall not be permitted.~~

~~—— (iii) *Pylon signs.* Pylon signs shall not be permitted.~~

~~—— (B) *Maximum sign height.*~~

~~—— (i) *Ground signs.* No part of the sign face or the sign support structure of a ground sign shall be more than eight feet above final grade, subject to the provisions of § 19.108(c).~~

~~—— (C) *Maximum setbacks, front.* The minimum setback for all freestanding identification signs shall be 20 feet from any public street right-of-way line.~~

~~—— (D) *Minimum setbacks, side and rear.* No freestanding identification sign shall be located closer than five feet to a side or rear property line.~~

~~—— (E) *Maximum sign area and number of signs.* One freestanding identification sign shall be allowed per public street frontage. The maximum sign surface area for a ground sign shall be 100 square feet.~~

~~—— (F) *Illumination.* Illumination shall be permitted.~~

~~—— Exception: there shall be a minimum distance of 100 feet between the leading edge of any illuminated sign and any parcel that is both residentially zoned and residentially used. See §§ 19.108(d) and 21.301.07(c)(5) for additional provisions on illumination and luminance.~~

~~—— (b) *Regulations for building identification signs.*~~

~~—(1) General regulations.~~

~~—(A) All building identification signs shall be located on the site of the use.~~

~~—(B) Any number of building identification signs may be utilized, so long as the total surface area of signs does not exceed the maximums noted in subsections (b)(2)(A)(i) or (b)(2)(B)(ii) below, and subject to any additional provisions of §§ 19.108(h) and § 19.109.~~

~~—(C) The linear measurement of any building identification sign shall not exceed 80% of the linear frontage of the applicable facade of the building.~~

~~—(D) A building utilizing signage for more than one elevation shall have signage of the same construction (channel or cabinet) on the other elevation. For signs of channel construction, one logo or tag line of cabinet construction may be incorporated into each wall sign, anywhere within the area of the allowed sign area, up to a maximum of 25% of the sign installed.~~

~~—(E) Awning signs are counted as wall signs for the computation of allowed signage on a primary or secondary elevation. If an awning sign and a wall sign are used on the same wall face, the sign on the awning shall be eight inches or less in height and in the lowest section of the awning.~~

~~—(F) Canopy signs are not counted as wall signs for the computation of allowed signage on a primary or secondary elevation.~~

~~—(G) Buildings that have three or more elevations with separate ground level exterior public entrances for tenancy may elect to have wall signs on each elevation with an exterior public tenant entrance subject to the following:~~

~~—(i) Two elevations with separate ground level exterior public entrances must be designated as primary or secondary elevations as described in (2)(A) below.~~

~~—(ii) The remaining elevations with separate ground level exterior public entrances must be designated as additional elevations by the site owner and specified in the Uniform Sign Design for the site.~~

~~—(2) Wall signs.~~

~~—(A) Maximum area of signs for a building. The maximum area of sign for a building shall be determined by adding together the allowed area for wall signs on one primary elevation and the allowed area for wall signs on one secondary elevation. Designation of the building elevations as primary and secondary elevations shall be selected by the site owner and specified in the uniform sign design. A building that has direct frontage on more than one public street shall be allowed two primary elevations for the computation of the maximum area of signs for a building; no secondary elevation signage is allowed if the building has more than one primary elevation for signage. The maximum area of signs for a building shall be computed per building and is not transferable from one building to another. There is no limit on the number of signs allowed within the maximum area of signs for a building.~~

~~—(i) Primary elevation. The maximum sign surface area for building identification signs shall not exceed one of the following:~~

~~—(aa) For a single tenant building:~~

~~—(AA) One hundred square feet;~~

~~_____ (BB) If a cabinet sign is used, the sign area shall not exceed 8% of the elevation up to a maximum of 150 square feet; or~~

~~_____ (CC) If channel construction is used for all of the signs, the maximum area of allowed signs on a primary elevation shall be determined in accordance with Table 19.114.1 below.~~

~~_____ (bb) For multiple tenant building:~~

~~_____ (AA) One hundred square feet;~~

~~_____ (BB) If a cabinet sign is used, the sign area shall not exceed 8% of the elevation up to a maximum of 150 square feet per cabinet; or~~

~~_____ (CC) If channel construction is used for all of the signs, the maximum area of allowed signs on a primary elevation shall be determined in accordance with Table 19.114.1 below.~~

<i>Elevation Area of Wall</i>		<i>Maximum Allowable Elevation Sign Area</i>			
<i>From (Sq. Ft.)</i>	<i>To (Sq. Ft.)</i>	<i>Base Allowed Sign Area</i>	<i>Plus</i>	<i>of Area Over</i>	<i>To a Maximum Area of</i>
0	4,000	0 sq. ft.	10%	0	400 sq. ft.
4,000	20,000	400 sq. ft.	5%	4,000	1,200 sq. ft.
20,000		1,200 sq. ft.	2%	20,000	2,000 sq. ft.

~~_____ (ii) *Secondary elevation.* The maximum sign surface area for building identification signs shall not exceed one of the following:~~

~~_____ (aa) For a single tenant building:~~

~~_____ (AA) Fifty square feet;~~

~~_____ (BB) If a cabinet sign is used, the sign area shall not exceed 8% of the area of the elevation, calculated in accordance with the requirements of § 19.107 of this code, up to a maximum of 100 square feet; or~~

~~_____ (CC) If channel construction is used for all of the signs, the maximum area of allowed signs on the secondary elevation shall be determined in accordance with Table 19.114.2 below.~~

~~_____ (bb) For multiple tenant building:~~

~~_____ (AA) Fifty square feet;~~

~~_____ (BB) If a cabinet sign is used, the sign area shall not exceed 8% of the area of the elevation, calculated in accordance with the requirements of § 19.107 of this code, up to a maximum of 100 square feet per cabinet; or~~

~~(CC) If channel construction is used for all of the signs, the maximum area of allowed signs on the secondary elevation shall be determined in accordance with Table 19.114.2 below.~~

<i>Table 19.114.2. Allowed Area of Wall Signs on Secondary Elevations.</i>					
<i>Elevation Area of Wall</i>		<i>Maximum Allowable Elevation Sign Area</i>			
<i>From (Sq. Ft.)</i>	<i>To (Sq. Ft.)</i>	<i>Base Allowed Sign Area</i>	<i>Plus</i>	<i>of Area Over</i>	<i>To a Maximum Area of</i>
0	4,000	0 sq. ft.	7%	0	280 sq. ft.
4,000	20,000	280 sq. ft.	3%	4,000	760 sq. ft.
20,000		760 sq. ft.	2%	20,000	1,240 sq. ft.

~~(iii) Additional elevation. The maximum sign surface area for all building identification signs on the additional elevation shall not exceed the signage on the primary or secondary elevations and shall not exceed 30 square feet per tenant sign.~~

~~(B) Signs shall be allowed on all elevations of a building. In no event, however, shall the maximum area of signs on any elevation exceed the area allowed for primary elevation (subject to the exceptions allowed in § 19.38.01), nor shall the maximum area of all signs for a building be exceeded.~~

~~(C) Illumination. Illumination shall be permitted. See §§ 19.108(d) and 21.301.07(c)(5) for additional provisions on illumination and luminance.~~

~~(3) Roof signs. Roof signs shall not be permitted.~~

~~(4) Roof-integral signs. Roof-integral signs shall not be permitted.~~

~~(5) Projecting signs. Projecting signs shall not be permitted.~~

~~(6) Awning signs. No awning shall be installed without approval of or revision to the final site and buildings plans or final development plans. Any elevation approved for an awning shall be permitted awning signage.~~

~~(A) Maximum size.~~

~~(i) The maximum size of an awning sign shall be 8% of the facade to which the awning is attached to a maximum of 100 square feet. For awning sign computation: if the awning extends above the wall along the entire facade, the height of wall shall be measured from the ground to the top of the awning to a maximum of 25 feet.~~

~~(ii) In addition to subsection (b)(6)(A)(i) above, the linear measurement of the sign on the awning shall not exceed 80% of the linear frontage of the awning. The sign area shall be located in the lower 40% of the vertical dimension of the awning.~~

~~(iii) If an awning does not extend the length of the wall, the sign on the awning shall not extend above the roof line.~~

~~——(iv) Awning signs are considered wall signs for the determination of the maximum area of signs for a building.~~

~~——(v) If an awning sign and a wall sign are used on the same elevation, the sign on the awning shall be eight inches or less in height.~~

~~——(B) *Distance from side or rear lot line when abutting any dwelling district.* No awning sign facing the side or rear lot line of an abutting lot zoned as a residential district shall be located within 50 feet of such side or rear lot line.~~

~~——(C) *Illumination.* Illumination shall be permitted.~~

~~——Exception: there shall be a minimum distance of 200 feet between the leading edge of any illuminated awning sign and any parcel that is both residentially zoned and residentially used. See §§ 19.108(d) and 21.301.07(c)(5) for additional provisions on illumination and luminance.~~

~~——(D) *Other.*~~

~~——(i) No awning sign shall be allowed above the first floor of the building.~~

~~——(ii) No awning shall be installed without approval of or revision to the final site and building plans. See § 21.501.01.~~

~~——(7) *Canopy signs.* No canopy shall be installed without approval of or revision to the final site and building plans or final development plans. Any elevation approved for a canopy shall be permitted canopy signage.~~

~~——(A) *Maximum size and number of signs.*~~

~~——(i) One canopy sign shall be permitted. The sign shall be located on the front face of the canopy. The maximum size of a canopy sign shall be 8% of the front of the canopy to a maximum of 100 square feet.~~

~~——(ii) In addition to subsection (b)(7)(A)(i) above, the linear measurement of the sign on the canopy shall not exceed 80% of the linear frontage of the front face of the canopy.~~

~~——(B) *Distance from side or rear lot line when abutting any dwelling district.* No canopy sign facing the side or rear lot line of an abutting lot zoned as a residential district shall be located within 50 feet of such side or rear lot line.~~

~~——(C) *Illumination.* Illumination shall be permitted.~~

~~——Exception: there shall be a minimum distance of 200 feet between the leading edge of any illuminated canopy sign and any parcel that is both residentially zoned and residentially used. See § 19.108(d) and 21.301.07(c)(5) for additional provisions on illumination and luminance.~~

~~——(D) *Other.* No canopy shall be installed without approval of or revision to the final site and building plans. See § 21.501.01.~~

~~——(8) *Marquee signs.* Marquee signs shall not be permitted.~~

~~——(9) *Suspended signs.* Suspended signs shall not be permitted.~~

~~—(10) *Window signs.* Signs within a retail display window or attached thereto shall occupy a maximum of 25% of each retail display window.~~

~~—(c) *Other signs.* All other signs shall be located on the site of the use unless specified otherwise.~~

~~—(1) *Directional signs.* See § 19.116.~~

~~—(2) *Incidental signs.* See § 19.117.~~

~~—(3) *Other regulated signs exempt from sign permits.*~~

~~—(A) *Building marker.* See § 19.105(c)(3).~~

~~—(B) *Construction sign, project (commercial, industrial and residential for projects of six or more lots or multiple-family projects).* See § 19.105(c)(4).~~

~~—(C) *Flags, noncommercial.* See § 19.105(c)(5).~~

~~—(D) *Interior signs.* See § 19.105(c)(9).~~

~~—(E) *Reserved.*~~

~~—(F) *Official signs and notices.* See § 19.105(c)(11).~~

~~—(G) *Political signs.* See § 19.105(c)(12).~~

~~—(H) *Public notices.* See § 19.105(c)(13).~~

~~—(I) *Public utility signs.* See § 19.105(c)(14).~~

~~—(J) *Real estate signs.* See § 19.105(c)(15).~~

~~—(K) *Tombstones.* See § 19.105(c)(17).~~

~~—(L) *Traffic control signs.* See § 19.105(c)(18).~~

~~—(4) *Prohibited signs.* See § 19.106.~~

~~—(5) *Signs for specific uses.* Sign regulations listed for specific uses in Division E, Special Provisions, shall take precedence over sign regulations listed in Division D, District Provisions.~~

~~—(A) *Signs for hotels.* See § 19.121.~~

~~—(B) *Signs for Class I (new) motor vehicle sales.* See § 19.122.~~

~~—(C) *Signs for convenience facility with fuel sales.* See § 19.123.~~

~~—(D) *Signs for office buildings with seven or more stories.* See § 19.124.~~

~~—(6) *Temporary signs.*~~

~~—(A) *Temporary signs for places of worship, school, parks and public buildings.* See § 19.118.~~

~~—(B) *Temporary signs for commercial promotions.* See § 19.119.~~

~~—(d) *Uniform sign design.* See § 19.109.~~

~~§ 19.115 CLASS VI SIGN DISTRICT (CX-2).~~

~~—(a) Regulations for freestanding identification signs. All freestanding identification signs shall be located on the site of the use.~~

~~—(1) CX-2 District.~~

~~—(A) Site identification sign.~~

~~—(i) Where permitted.~~

~~—(aa) Ground signs. A ground sign shall be permitted.~~

~~—(bb) Monument signs. A monument sign shall be permitted.~~

~~—(cc) Pylon signs. Pylon signs shall not be permitted.~~

~~—(ii) Maximum sign height.~~

~~—(aa) Ground signs. No part of the sign face or the sign support structure of a ground sign shall be more than eight feet above final grade, subject to the provisions of § 19.108(c).~~

~~—(bb) Monument signs. No part of the sign face or the sign support structure of a monument sign shall be more than 20 feet above final grade, subject to the provisions of § 19.108(c).~~

~~—(iii) Maximum setbacks, front. The minimum setback for all freestanding identification signs shall be 20 feet from any public street right-of-way line.~~

~~—(iv) Minimum setbacks, side and rear. There shall be no required side or rear setbacks.~~

~~—(v) Maximum sign area and number of signs. The maximum sign area of a freestanding site identification sign shall not exceed 650 square feet and there shall be a maximum of one sign for the entire CX-2 District.~~

~~—(vi) Illumination. Illumination shall be permitted.~~

~~—Exception: there shall be a minimum distance of 100 feet between the leading edge of any illuminated sign and any parcel that is both residentially zoned and residentially used. See §§ 19.108(d) and 21.301.07 (c)(5) for additional provisions on illumination and luminance.~~

~~—(B) Entrance signs. Entrance signs shall not be permitted.~~

~~—(2) Reserved.~~

~~—(b) Regulations for building identification signs. All building identification signs shall be located on the site of the use.~~

~~—(1) Permitted signs. The following types of signs shall be permitted in any combination in the Class VI Sign District, and shall contribute to the maximum area allowed in subsection (b)(2) below:~~

~~—(A) Wall signs;~~

~~—(B) Projecting signs;~~

~~—(C) Awning signs;~~

~~— (D) Canopy signs;~~

~~— (E) Marquee signs;~~

~~— (F) Window signs; and~~

~~— (G) Wall graphics.~~

~~— (2) Maximum size and number of signs.~~

~~— (A) Towers of ten or more stories in height. One sign is allowed per wall up to a maximum of three signs per building. The maximum sign area of a wall sign shall not exceed 600 square feet per sign. All sign elements shall be located within 20 feet of the top of the building or within 20 feet of the ground level below the sign.~~

~~— (B) Mixed use center identification sign. The mixed use center shall be allowed one wall sign per street frontage. The maximum sign area of the wall sign shall not exceed 2,500 square feet and each allowed wall sign shall be centered over the entrance to the mixed use center identification sign per public street frontage.~~

~~— (C) Parking ramp signs. Except for directional and incidental signs, no signs are allowed on a parking ramp unless approved through the master sign application process discussed in § 21.501.06.~~

~~— (D) Tenants and use signs on buildings with a certificate of occupancy prior to November 17, 2014. Exterior signs are allowed for mixed use center tenants and other uses in the CX-2 District as follows.~~

~~— (i) Tenants and uses larger than 150,000 square feet. One sign per building facade is allowed, up to a maximum of three signs per building. The maximum sign area for the total of the wall signs shall not exceed 825 square feet; no individual wall sign shall be larger than 400 square feet.~~

~~— (ii) Tenants and uses between 10,000 and 150,000 square feet. Building identification signs are allowed for tenants having at least one ground level exterior public entrance or a direct access to a skyway connecting the parking ramps with the Mall of America.~~

~~— (aa) Total sign area, including permanent window signs, is limited to 40% of the facade area as calculated in elevation view.~~

~~— (bb) Tenant signs must be located proximate to their exterior tenant building entrance(s) and/or the space the tenant occupies in the building.~~

~~— (iii) Restaurant uses greater than 5,000 square feet. Building identification signs are allowed for individual restaurant tenants having at least one exterior public entrance or a direct access to a skyway connecting the parking ramps with the Mall of America.~~

~~— (aa) Total sign area, including permanent window signs, is limited to 40% of the facade area as calculated in elevation view.~~

~~— (bb) Tenant signs must be located proximate to their exterior tenant building entrance(s) and/or the space the tenant occupies in the building.~~

~~— (E) Tenants and use signs on buildings with a certificate of occupancy after November 17, 2014. Exterior signs are allowed for mixed use center tenants and other uses in the Class VI Sign District as follows:~~

~~— (i) Tenants and uses larger than 150,000 square feet. One sign per building facade is allowed, up to a maximum of three signs per building. The maximum sign area for the total of the wall signs shall not exceed 825 square feet; no individual wall sign shall be larger than 400 square feet.~~

~~— (ii) Tenants and uses less than 150,000 square feet. Building identification signs are allowed for tenants having at least: one ground level exterior public entrance; a direct access to a skyway connecting the parking ramps with the Mall of America; or a glazed exterior façade with 75 lineal feet of glazing contiguous to premises with views of the exterior and a minimum of 5,000 square feet for a restaurant or 10,000 square feet for retail.~~

~~— (aa) Total sign area, including permanent window signs, is limited to 10% of the façade area as calculated in elevation view.~~

~~— (bb) Tenant signs must be located proximate to their exterior tenant building entrance(s) and/or the space the tenant occupies in the building.~~

~~— (c) Prohibited signs. In addition to other signs prohibited in § 19.106, the following types of signs shall be prohibited in the Class VI Sign District:~~

~~— (1) Roof signs;~~

~~— (2) Roof-integral signs; and~~

~~— (3) Suspended signs.~~

~~— (d) Other signs. All other signs shall be located on the site of the use unless specified otherwise.~~

~~— (1) Directional signs. See § 19.116.~~

~~— (2) Incidental signs. See § 19.117.~~

~~— (3) Other regulated signs exempt from sign permits.~~

~~— (A) Building marker. See § 19.105(c)(3).~~

~~— (B) Construction sign, project (commercial, industrial and residential for projects of six or more lots or multiple-family projects). See § 19.105(c)(4).~~

~~— (C) Flags, noncommercial. See § 19.105(c)(5).~~

~~— (D) Interior signs. See § 19.105(c)(9).~~

~~— (E) Reserved.~~

~~— (F) Official signs and notices. See § 19.105(c)(11).~~

~~— (G) Political signs. See § 19.105(c)(12).~~

~~— (H) Public notices. See § 19.105(c)(13).~~

~~— (I) Public utility signs. See § 19.105(c)(14).~~

~~— (J) *Real estate signs.* See § 19.105(c)(15).~~

~~— (K) *Tombstones.* See § 19.105(c)(17).~~

~~— (L) *Traffic control signs.* See § 19.105(c)(18).~~

~~— (4) *Temporary signs for commercial promotions.* Temporary signs for commercial promotions shall be permitted according to the following standards:~~

~~— (A) The CX-2 District shall be allowed temporary signs as a site according to the regulations in § 19.119.~~

~~— (5) *Temporary signs for approved interim uses in the Class VI Sign District.* See § 19.127.~~

~~— (e) *Illumination.* All sign illumination shall comply with §§ 19.108(d) and 21.301.07(c)(5).~~

~~— (f) *Uniform sign design.* All signs in the Class VI Sign Districts shall conform to an approved uniform sign design. See § 19.109 for uniform sign design standards.~~

§ 19.115.01 CLASS VII SIGN DISTRICT (HX-R).

~~— (a) *Regulations for freestanding identification signs.* All freestanding identification signs must be located on the site of the use.~~

~~— (1) *Type permitted.*~~

~~— (A) *Ground signs.* Ground signs are permitted.~~

~~— (B) *Monument signs.* Monument signs are not permitted.~~

~~— (C) *Pylon signs.* Pylon signs are not permitted.~~

~~— (2) *Maximum sign height.*~~

~~— (A) *Ground signs.* No part of the sign face or the sign support structure of a ground sign may be more than eight feet above final grade, subject to the provisions of § 19.108(c).~~

~~— (3) *Maximum setbacks, front.* The minimum setback for all freestanding identification signs is ten feet from any public street right-of-way line.~~

~~— (4) *Minimum setbacks, side and rear.* Freestanding identification signs may not be located closer than five feet from a side or rear property line.~~

~~— (5) *Maximum sign area and number of signs.* One freestanding identification sign, with a sign surface area not to exceed 100 square feet, is allowed per block face along a public or private street. One additional freestanding identification sign, with a sign surface area not to exceed 60 square feet, is allowed at each public or private street intersection corner.~~

~~— (6) *Minimum separation.* The minimum separation between two freestanding identification signs is 100 feet.~~

~~— (7) *Illumination.* Illumination is permitted. See §§ 19.108(d) and 21.301.07(c)(5) for additional provisions on illumination and luminance.~~

~~— (b) *Regulations for building identification signs.*~~

~~— (1) *General regulations.*~~

~~—— (A) *Two or more uses in one building.* When two uses with different building identification sign standards share space in a building, the building identification sign standards of each respective use apply to the elevation area attributable to that use.~~

~~—— (B) *Signs for hotels.* Within the Class VII Sign District, wall sign and porte cochere sign regulations for hotels are as specified in § 19.121(b)(2) and (b)(3). Sign regulations for all other types of signs for hotels are as specified in this section.~~

~~—— (C) *Signs for office buildings with seven or more stories.* Within the Class VII Sign District, wall sign and porte cochere sign regulations for office buildings with seven or more stories are as specified in § 19.124(b)(2) and (b)(3). Sign regulations for all other types of signs for office buildings with seven or more stories are as specified in this section.~~

~~—— (2) *Wall signs.*~~

~~—— (A) *General regulations.*~~

~~—— (i) The linear measurement of any wall sign must not exceed 80% of the linear frontage of the applicable facade of the building.~~

~~—— (ii) All wall signs on a building must be of the same construction (channel or cabinet) including wall signs on different elevations. For signs of channel construction, one logo or tag line of cabinet construction may be incorporated into each wall sign, anywhere within the area of the allowed sign area, up to a maximum of 25% of the sign installed.~~

~~—— (iii) Projecting signs may be used together with or in place of wall signs. Except for projecting signs discussed in subsection (b)(6) below, projecting sign size applies toward the wall sign size limitations. Projecting signs must be at least ten feet above grade level and must not project more than five feet from the building or structure. Projecting signs may not encroach into the public right-of-way and may encroach into a public easement only with written approval of the issuing authority.~~

~~—— (B) *Residential uses.*~~

~~—— (i) *Number and size.* One wall sign of up to 50 square feet is allowed per building elevation.~~

~~—— (ii) *Illumination.* Illumination is permitted. See §§ 19.108(d) and 21.301.07(c)(5) for additional provisions on illumination and luminance.~~

~~—— (C) *Hotels.* See § 19.121(b)(2).~~

~~—— (D) *Office buildings.*~~

~~—— (i) *Number, size and location.* Wall signs are allowed on four elevations. There is no limit on the number of signs provided that total wall sign area on two of the building elevations must not exceed 200 square feet per elevation and total wall sign area on the other two building elevations must not exceed 100 square feet per elevation.~~

~~—— (ii) *Illumination.* Illumination is permitted.~~

~~—— (iii) *Office buildings with seven or more stories.* The wall sign standards of § 19.124(b)(2) take precedence for office buildings with seven or more stories.~~

~~—— (E) *Parking structures.*~~

~~—— (i) *Number, size and location.* Wall signs are allowed on four elevations. There is no limit on the number of signs provided that total wall sign area on elevations fronting public streets must not exceed 200 square feet per elevation and that total sign area on elevations not fronting public streets must not exceed 100 square feet per elevation.~~

~~—— (ii) *Illumination.* Illumination is permitted. See §§ 19.108(d) and 21.301.07(c)(5) for additional provisions on illumination and luminance.~~

~~—— (F) *Other uses including accessory and limited retail and service uses mixed with residential, hotel or office uses.*~~

~~—— (i) *Number and size.* There is no limit on the number of wall signs or the number of building elevations that may display wall signs provided that the total wall sign surface area on a building elevation must not exceed one square foot per linear foot along the respective building elevation.~~

~~—— (ii) *Illumination.* Illumination is permitted. See §§ 19.108(d) and 21.301.07(c)(5) for additional provisions on illumination and luminance.~~

~~—— (3) *Porte cochere signs.*~~

~~—— (A) *Hotels.* See § 19.124(b)(3).~~

~~—— (B) *Office buildings with seven or more stories.* See § 19.124(b)(3).~~

~~—— (C) *Other uses.* Porte cochere signs are not permitted.~~

~~—— (4) *Roof signs.* Roof signs are not permitted.~~

~~—— (5) *Roof-integral signs.* Roof-integral signs are not permitted.~~

~~—— (6) *Projecting and suspended signs.* In addition to allowed wall signs, one pedestrian oriented projecting or suspended sign up to 12 square feet in size, at least ten feet above the walking surface and projecting no more than ten feet from the building is permitted per exterior public entrance to a building. Projecting and suspended signs may not encroach into the public right-of-way and may encroach into a public easement only with written approval of the issuing authority. Projecting or suspended signs may be illuminated.~~

~~—— (7) *Awning and canopy signs.*~~

~~—— (A) *Approval required.* Awnings and canopies must not be installed unless approved as part of the final development plans for a building.~~

~~—— (B) *Where allowed.* Signs may be incorporated into approved awnings or canopies, except for residential uses where awning and canopy signs are not permitted.~~

~~—— (C) *Size.* There is no limit on awning or canopy sign size except that the linear measurement of the sign on the awning or canopy must not exceed 80% of the linear frontage of the awning or canopy.~~

~~—— (D) *Illumination.* Illumination is permitted where awning or canopy signs are allowed. See §§ 19.108(d) and 21.301.07(c)(5) for additional provisions on illumination and luminance.~~

~~—— (E) *Other.* No awning or canopy sign is allowed above the first floor of the building or 12 feet above grade, whichever is lower.~~

- ~~—(8) *Marquee signs.* Marquee signs are not permitted.~~
- ~~—(9) *Window signs.* Window signs are permitted but must not occupy more than 25% of the area of a given window and must not obscure more than 25% of the linear window surface at eye level.~~
- ~~—(c) *Other signs.* All other signs must be located on the site of the use unless otherwise specified.~~
- ~~—(1) *Directional signs.* See § 19.116.~~
- ~~—(2) *Incidental signs.* See § 19.117.~~
- ~~—(3) *Other regulated signs exempt from sign permits.*~~
 - ~~—(A) *Building marker.* See § 19.105(c)(3).~~
 - ~~—(B) *Construction sign, project (commercial, industrial and residential for projects of six or more lots or multiple-family projects).* See § 19.105(c)(4).~~
 - ~~—(C) *Flags, noncommercial.* See § 19.105(c)(5).~~
 - ~~—(D) *Interior signs.* See § 19.105(c)(9).~~
 - ~~—(E) *Reserved.*~~
 - ~~—(F) *Official signs and notices.* See § 19.105(c)(11).~~
 - ~~—(G) *Political signs.* See § 19.105(c)(12).~~
 - ~~—(H) *Public notices.* See § 19.105(c)(13).~~
 - ~~—(I) *Public utility signs.* See § 19.105(c)(14).~~
 - ~~—(J) *Real estate signs.* See § 19.105(c)(15).~~
 - ~~—(K) *Tombstones.* See § 19.105(c)(17).~~
 - ~~—(L) *Traffic control signs.* See § 19.105(c)(18).~~
- ~~—(4) *Prohibited signs.* See § 19.106.~~
- ~~—(5) *Temporary signs.*~~
 - ~~—(A) *Temporary signs for places of worship, school, parks and public buildings.* See § 19.118.~~
 - ~~—(B) *Temporary signs for commercial promotions.* See § 19.119.~~
- ~~—(6) *Anti-blight regulations.* See Article VIII.~~
- ~~—(d) *Uniform sign design.* See § 19.109.~~

§ 19.115.02 CLASS VIII SIGN DISTRICTS (B-4, C-5, LX, TI).

- ~~—(a) *Regulations for freestanding identification signs.* All freestanding identification signs must be located on the site of the use.~~
- ~~—(1) *Type permitted.*~~

~~— (A) *Ground signs.* Ground signs are permitted.~~

~~— (B) *Monument signs.* Monument signs are not permitted.~~

~~— (C) *Pylon signs.* Pylon signs are not permitted.~~

~~— (2) *Maximum sign height.*~~

~~— (A) *Ground signs.* No part of the sign face or the sign support structure of a ground sign may be more than eight feet above final grade, subject to the provisions of § 19.108(c).~~

~~— (3) *Minimum setbacks, front.* The minimum setback for all freestanding identification signs in the B-4, C-5, and T1 Districts is 20 feet from any public street right-of-way line. The minimum setback for all freestanding identification signs in the LX district is ten feet from any public street right-of-way line.~~

~~— (4) *Minimum setbacks, side and rear.* Freestanding identification signs may not be located closer than five feet from a side or rear property line.~~

~~— (5) *Maximum sign area and number of signs.* One freestanding identification sign, with a sign surface area not to exceed 100 square feet, is allowed per site frontage along a public or private street. No more than one freestanding identification sign may be placed on each site frontage.~~

~~— (6) *Illumination.* Internal illumination is permitted.~~

~~— (b) *Regulations for building identification signs.*~~

~~— (1) *General requirements.*~~

~~— (A) *Location.* All building identification signs shall be located on the site of the use.~~

~~— (B) *Two or more uses in one building.* When two uses with different building identification sign standards share space in a building, the building identification sign standards of each respective use apply to the elevation area attributable to that use.~~

~~— (2) *Wall signs.*~~

~~— (A) *General regulations.*~~

~~— (i) In addition to subsection (b)(2)(A)(ii) below:~~

~~— (aa) Any combination or number of building identification signs may be utilized, so long as the total surface of signs on a particular building elevation does not exceed the maximums noted in subsection (b)(2)(B) below and subject to any additional provisions of §§ 19.108 (h) and 19.109. See § 19.107(f) for computation of the elevation area.~~

~~— (bb) The linear measurement of any wall sign or signs shall not exceed 80% of the linear frontage of the applicable facade of the building.~~

~~— (ii) Wall signs are permitted on four elevations of a building, two primary and two secondary elevations. Designation of the elevations as primary and secondary elevations must be selected by the site owner and specified in the uniform sign design for the site.~~

~~— (aa) Except as allowed by § 19.38.01 of this code, the sign area allowed on one elevation may not be allocated, in whole or in part, to another elevation.~~

~~———— (bb) A building utilizing signage for more than one elevation shall have signage of the same construction (channel or cabinet) on the other elevations. For signs of channel construction, one logo or tag line of cabinet construction may be incorporated into each wall sign, anywhere within the area of the allowed sign area, up to a maximum of 25% of the sign installed.~~

~~———— (cc) Canopy signs are not counted as wall signs for the computation of allowed signage on a primary or secondary elevation.~~

~~———— (iii) Projecting signs may be used together with or in place of wall signs. Except for projecting signs discussed in subsection (b)(6) below, projecting sign area applies toward the wall sign size limitations. Projecting sign area is determined by calculating the area of the projecting sign face on the largest single sign elevation. The projecting sign face may not exceed five feet in width. Projecting signs must be located at least ten feet above grade level and must not project more than eight feet from the building or structure. Projecting signs may not encroach into the public right-of-way, may not exceed the height of the wall to which it is attached and may encroach into a public easement only with written approval of the issuing authority.~~

~~———— (B) *Maximum size of signs.*~~

~~———— (i) *Primary elevation.* The maximum sign surface area for all wall signs on each primary elevation shall not exceed one of the following.~~

~~———— (aa) For a single tenant building:~~

~~———— (AA) Fifty square feet;~~

~~———— (BB) If a cabinet sign is used, the sign area shall not exceed 8% of the area of the elevation, calculated in accordance with the requirements of § 19.107 of this code, up to a maximum of 100 square feet; or~~

~~———— (CC) If channel construction is used for all the signs, the maximum area of all signs on the primary elevation shall be determined in accordance with Table 19.115.02.1 below.~~

~~———— (bb) For a multiple tenant building:~~

~~———— (AA) If a cabinet sign is used, the sign area shall not exceed 8% of the area of the elevation, calculated in accordance with the requirements above, up to a maximum of 100 square feet per cabinet; or~~

~~———— (BB) If channel construction is used for all of the signs, the maximum area of all signs on the primary elevation shall be determined in accordance with Table 19.115.02.1 below.~~

Table 19.115.02.1 Allowed Area of Wall Signs on Primary Elevations.

<i>Elevation Area of Wall</i>		<i>Maximum Allowable Elevation Sign Area</i>			
<i>From (Sq. Ft.)</i>	<i>To (Sq. Ft.)</i>	<i>Base Allowed Sign Area</i>	<i>Plus</i>	<i>of Area Over</i>	<i>To a Maximum Area of</i>

0	4,000	0 sq. ft.	10%	0	400 sq. ft.
4,000	20,000	400 sq. ft.	5%	4,000	1,200 sq. ft.
20,000		1,200 sq. ft.	2%	20,000	2,000 sq. ft.

~~_____ (ii) *Secondary elevation.* The maximum sign surface area for all building identification signs on the secondary elevation shall not exceed the signage on the primary elevation and shall not exceed one of the following:~~

~~_____ (aa) For a single tenant building:~~

~~_____ (AA) Thirty-two square feet;~~

~~_____ (BB) If a cabinet sign is used, the sign area shall not exceed 4% of the area of the elevation, calculated in accordance with the requirements above, up to a maximum of 50 square feet per cabinet; or~~

~~_____ (CC) If channel construction is used for all of the signs, the maximum area of all signs on the secondary elevation shall be 10% of the elevation up to a maximum of 400 square feet.~~

~~_____ (bb) For a multiple tenant building:~~

~~_____ (AA) If a cabinet sign is used, the sign area shall not exceed 4% of the area of the elevation, calculated in accordance with the requirements above, up to a maximum of 50 square feet per cabinet; or~~

~~_____ (BB) If channel construction is used for all of the signs, the maximum area of all signs on the secondary elevation shall be determined in accordance with Table 19.115.02.2 below.~~

<i>Table 19.115.02.2 Allowed Area of Wall Signs on Secondary Elevations.</i>					
<i>Elevation Area of Wall</i>		<i>Maximum Allowable Elevation Sign Area</i>			
<i>From (Sq. Ft.)</i>	<i>To (Sq. Ft.)</i>	<i>Base Allowed Sign Area</i>	<i>Plus</i>	<i>of Area Over</i>	<i>To a Maximum Area of</i>
0	4,000	0 sq. ft.	7%	0	280 sq. ft.
4,000	20,000	280 sq. ft.	3%	4,000	760 sq. ft.
20,000		760 sq. ft.	2%	20,000	1,240 sq. ft.

~~_____ (C) *Distance from side or rear lot line when abutting any dwelling district.* No wall sign facing the side or rear lot line of an abutting lot zoned as a residential district shall be located within 50 feet of such side or rear lot line.~~

~~_____ (D) *Residential uses.*~~

~~—— (i) *Number and size.* One wall sign of up to 40 square feet is allowed per building elevation.~~

~~—— (ii) *Illumination.* See §§ 19.108(d) and 21.301.07(c)(5) for additional provisions on illumination and luminance.~~

~~—— (E) *Hotels.* The wall sign standards of § 19.121(b)(2) take precedence for hotels.~~

~~—— (F) *Office buildings with seven or more stories.* The wall sign standards of § 19.124(b)(2) take precedence for office buildings with seven or more stories.~~

~~—— (G) *Parking structures.*~~

~~—— (i) *Number, size and location.* Wall signs are allowed on four elevations. There is no limit on the number of signs provided that total wall sign area on elevations fronting public streets must not exceed 200 square feet per elevation and that total sign area on elevations not fronting public streets must not exceed 100 square feet per elevation.~~

~~—— (ii) *Construction.* All signs attached to parking structures must be of the same construction (channel or cabinet) as wall signs attached to buildings on the same site.~~

~~—— (H) *Other uses including accessory and limited retail and service uses mixed with residential, hotel or office uses.*~~

~~—— (i) *Number and size.* There is no limit on the number of wall signs or the number of building elevations that may display wall signs provided that the total wall sign surface area on a building elevation must not exceed one square foot per linear foot along the respective building elevation.~~

~~—— (I) *Illumination.* Illumination is permitted.~~

~~—— Exception: there shall be a minimum distance of 100 feet between any illuminated wall sign and any parcel that is both residentially zoned and residentially used. See §§ 19.108(d) and 21.301.07(c)(5) for additional provisions on illumination and luminance.~~

~~—— (3) *Porte cochere signs.*~~

~~—— (A) *Hotels.* See § 19.121(b)(3) for applicable porte cochere sign standards.~~

~~—— (B) *Office buildings with seven or more stories.* See § 19.124(b)(3) for applicable porte cochere sign standards.~~

~~—— (C) *Other uses.* Porte cochere signs are not permitted.~~

~~—— (4) *Roof signs.* Roof signs are not permitted.~~

~~—— (5) *Roof-integral signs.* Roof-integral signs are not permitted.~~

~~—— (6) *Pedestrian oriented projecting and suspended signs.* In addition to projecting signs allowed in subsection (b)(2)(A)(iii) above, one pedestrian oriented projecting or suspended sign up to 12 square feet in size, between ten and 15 feet above the walking surface and projecting no more than ten feet from the building is permitted per exterior public entrance to a building, within 20 feet of the entrance. Projecting sign area is determined by calculating the area of the projecting sign face on the largest single sign elevation. Projecting and suspended signs may not encroach into the public right-of-way, may not exceed the height of the wall to which it~~

~~is attached and may encroach into a public easement only with written approval of the issuing authority. Projecting or suspended signs may be illuminated. See §§ 19.108(d) and 21.301.07(c)(5) for additional provisions on illumination and luminance.~~

~~—(7) *Awning and canopy signs.*~~

~~—(A) *Approval required.* Awnings and canopies must not be installed without approval of or revision to the final site and building plans or final development plans for a building.~~

~~—(B) *Where allowed.* Signs may be incorporated into approved awnings or canopies, except for residential uses where awning and canopy signs are not permitted.~~

~~—(C) *Size.* There is no limit on awning or canopy sign size except that the linear measurement of the sign on the awning or canopy must not exceed 80% of each linear frontage of the awning or canopy.~~

~~—(D) *Illumination.* Illumination is permitted where awning or canopy signs are allowed. See §§ 19.108(d) and 21.301.07(c)(5) for additional provisions on illumination and luminance.~~

~~—(E) *Other.* No awning or canopy sign is allowed above the first floor of the building or 12 feet above grade, whichever is lower.~~

~~—(8) *Marquee signs.* Marquee signs are not permitted.~~

~~—(9) *Window signs.* Window signs are permitted but must not occupy more than 25% of the area of a given window and must not obscure more than 25% of the linear window surface at eye level.~~

~~—(c) *Other signs.* All other signs must be located on the site of the use unless otherwise specified.~~

~~—(1) *Directional signs.* See § 19.116.~~

~~—(2) *Incidental signs.* See § 19.117.~~

~~—(3) *Other regulated signs exempt from sign permits.*~~

~~—(A) *Building marker.* See § 19.105(c)(3).~~

~~—(B) *Construction sign, project (commercial, industrial and residential for projects of six or more lots or multiple-family projects).* See § 19.105(c)(4).~~

~~—(C) *Flags, noncommercial.* See § 19.105(c)(5).~~

~~—(D) *Interior signs.* See § 19.105(c)(9).~~

~~—(E) *Reserved.*~~

~~—(F) *Official signs and notices.* See § 19.105(c)(11).~~

~~—(G) *Political signs.* See § 19.105(c)(12).~~

~~—(H) *Public notices.* See § 19.105(c)(13).~~

~~—(I) *Public utility signs.* See § 19.105(c)(14).~~

~~—(J) *Real estate signs.* See § 19.105(c)(15)~~

~~— (K) *Tombstones.* See § 19.105(c)(17).~~

~~— (L) *Traffic control signs.* See § 19.105(c)(18).~~

~~— (4) *Prohibited signs.* See § 19.106.~~

~~— (5) *Temporary signs.*~~

~~— (A) *Temporary signs for places of worship, school, parks and public buildings.* See § 19.118.~~

~~— (B) *Temporary signs for commercial promotions.* See § 19.119.~~

~~— (6) *Anti-blight regulations.* See Article VIII.~~

~~— (d) *Uniform sign design.* See § 19.109.~~

DIVISION E: SPECIAL PROVISIONS

§ 19.116 DIRECTIONAL SIGNS.

~~— (a) *Purpose.* The City Council finds that special provisions should govern directional signs, because directional signs are intended to provide information for the convenience of the public, such as the location of exits, entrances and parking areas and are not intended to identify individual tenants or users, or to provide identification or advertising from public streets or other areas off of the site. Therefore, the following special provisions shall govern such signage.~~

~~— (b) *Standards.* Directional signs shall be located on the site of the use utilizing the directional signs. In addition to other permitted signs, except for single or two-family dwellings, the issuing authority may approve directional signage provided the following criteria are satisfied.~~

~~— (1) *Maximum size and height and minimum setbacks:*~~

~~— (A) The maximum sign surface area shall be 12 square feet. Business, project or development identification shall not exceed 25% of the sign surface area. Freestanding directional signs shall be a maximum height of six feet above the grade of the adjacent parking or driveway surface. Directional signs shall be set back a minimum of 20 feet from the public rights-of-way, and a minimum of five feet from all other property lines; or~~

~~— (B) The maximum sign surface area shall be six square feet. Business, project or development identification shall not exceed 25% of the sign surface area. Freestanding directional signs shall be a maximum height of three feet above the grade of the adjacent parking or driveway surface. Directional signs shall be set back a minimum of ten feet from all public right-of-way lines, and a minimum of five feet from all other property lines; and~~

~~— (C) Signs mounted on walls shall be mounted only high enough to be visible to on-site users, but in no event above the first story of the building on which it is mounted.~~

~~— (2) *Maximum number.* No directional sign shall be erected which is not clearly necessary for the safety and convenience of the public. In no instance shall the number of directional signs exceed two per acre of total site area.~~

~~— Exception: if a site is less than one acre, the site shall be allowed two directional signs.~~

~~—(3) *Orientation.* Directional signs larger than six square feet shall be oriented for viewing by on-site vehicular and pedestrian traffic, rather than traffic on public streets or on adjacent property.~~

~~—(4) *Illumination.* Illumination is permitted subject to §§ 19.108(d) and 21.301.07(c)(5).~~

~~—(5) *Design.*~~

~~—(A) Signs shall be fully finished on all visible sides and shall be the same style as the identification sign(s) for the site.~~

~~—(B) Directional signs shall be so designed and located that no hazard to vehicular and pedestrian traffic is created.~~

~~—(c) *Sign permit requirements.* Sign permits shall be required for the initial installation and any subsequent modification of directional signs conforming with the provisions of this code. No directional sign shall be installed unless a plan showing the location, size and construction of all directional signs is first approved by the issuing authority.~~

§ 19.117 INCIDENTAL SIGNS.

~~—(a) *Purpose.* The City Council finds that special provisions should govern incidental signs, because incidental signs are intended to provide information for the convenience of the public, such as the location of service, air and vacuum, and are not intended to identify individual tenants or users, or to provide identification or advertising from public streets or other areas off the site. Therefore, the following special provisions shall govern such signage.~~

~~—(b) *Standards.* Incidental signs shall be located on the site of the use utilizing the incidental signs. In addition to other permitted signs in nonresidential zoning districts, the issuing authority may approve incidental signage provided the following criteria are satisfied.~~

~~—(1) *Maximum size and height and minimum setbacks:*~~

~~—(A) The maximum sign surface area for incidental signs shall be 12 square feet for a wall sign and six square feet for freestanding signs. Business, project or development identification shall not exceed 25% of the sign surface area. Freestanding incidental signs shall be a maximum height of six feet above the grade of the adjacent parking or driveway surface. Incidental signs shall be set back a minimum of 40 feet from the public rights-of-way, and a minimum of five feet from all other property line; and~~

~~—(B) Signs mounted on walls shall be mounted only high enough to be visible to on-site users, but in no event above the first story of the building on which it is mounted.~~

~~—(2) *Maximum number.* No incidental signs shall be erected which are not clearly necessary for the safety and convenience of the public. In no instance shall the number of incidental signs exceed two per acre (or portion thereof) of total site area.~~

~~—(3) *Orientation.* Incidental signs shall be oriented for viewing by on-site vehicular and pedestrian traffic, rather than traffic on public streets or on adjacent properties.~~

~~—(4) *Illumination.* Illumination is permitted subject to §§ 19.108(d) and 21.301.07(c)(5).~~

~~—(5) *Design.* Signs shall be fully finished on all visible sides and shall be the same style as the identification sign(s) for the site. Incidental signs shall be so designed and located that no hazard to vehicular and pedestrian traffic is created.~~

~~—(6) *Exception.* Incidental sign regulations listed for signs for convenience facility with fuel sales, § 19.123, shall take precedence over the incidental sign regulations in this section.~~

~~—(c) *Sign permit requirements.* Sign permits shall be required for the initial installation and any subsequent modification of incidental signs conforming with the provisions of this code. No incidental sign shall be installed unless a plan showing the location, size and construction of all directional signs is first approved by the issuing authority.~~

~~§ 19.118 TEMPORARY SIGNS FOR SPECIAL EVENTS AT PLACES OF ASSEMBLY FOR WORSHIP, SCHOOLS, PARKS AND PUBLIC BUILDINGS.~~

~~—(a) *Purpose.* The City Council finds that for community events and special events at places of assembly for worship, schools, parks, museums and public buildings, there are unique needs warranting special regulations to communicate information and to announce special events and activities. The following regulations have been formulated to address the need for temporary signs.~~

~~—(b) *On-site temporary signs.* On-site temporary signs for special events at places of worship, schools, parks, museums and public buildings are allowed subject to the following standards.~~

~~—(1) *Maximum size and number.* A maximum of one temporary sign shall be allowed per street frontage, whether it takes the form of a wall sign or freestanding sign. The maximum size per temporary wall sign shall be 100 square feet and the maximum size per temporary freestanding sign shall be 32 square feet.~~

~~—(2) *Maximum height and minimum setbacks.* Temporary signs greater than six square feet shall maintain a minimum setback of 20 feet from any street right-of-way line. If the sign is six square feet or less with a height of three feet or less, the temporary sign may be placed a minimum of ten feet from the street right-of-way line. No wall sign shall be placed above the top of the wall on which it is located. For the purposes of this section, all setbacks are measured from existing property lines rather than planned widened rights-of-way lines.~~

~~—(3) *Maximum time period for signage.* At a single-tenant site temporary signs are limited to a maximum of 60 days per year, not to exceed 12 occasions per year. At a multi-tenant site each tenant is limited to temporary signs on a maximum of 60 days per year, not to exceed 12 occasions per year.~~

~~—(4) *Signature of property owner required.* A sign permit authorizing the temporary sign(s) shall be signed by the property owner or his or her representative.~~

~~—(5) *Temporary signs in lieu of permanent identification signs.* Temporary signs shall not be used in lieu of permanent identification signs for accessory or limited uses in the building(s).~~

~~—(6) *Illumination.* Illumination is permitted subject to §§ 19.108(d) and 21.301.07(c)(5).~~

~~—(c) *Off-site temporary signs.* Off-site temporary signs shall comply with the following standards.~~

~~—(1) *General provision.* Temporary off-site signs shall be used only for special events at places of assembly for worship, school, parks and public buildings.~~

~~—(2) *Maximum size and height.* The maximum size for an off-site temporary sign shall be six square feet. No sign shall exceed this size. The maximum height shall be three feet.~~

~~—(3) *Maximum number.* A maximum of 60 off-site temporary signs shall be permitted per event.~~

~~—(4) *Sign location requirements.*~~

~~—(A) No sign shall violate § 19.106(b)(1) through (b)(8) and (b)(9).~~

~~—(B) All off-site temporary signs require the permission of the private property owner.~~

~~—(C) There shall be a maximum of two signs on any street frontage of any site for the following signs:~~

~~—(i) Off-site signs for temporary special events for places of worship, school, parks and public buildings;~~

~~—(ii) Off-site signs for garage sales;~~

~~—(iii) Off-site signs for realtor directional/open house signs; and~~

~~—(iv) Off-site signs for boutique sales.~~

~~—(5) *Design.* The off-site temporary signs shall be professionally printed.~~

~~—(6) *Time period for signage.* There shall be a maximum of four events per year for the use of temporary off-site signs per site. The signs may be displayed for a maximum of 14 days per event.~~

~~—(7) *Illumination.* The sign may not be artificially illuminated.~~

~~—(d) *Sign permit requirements.* A temporary sign permit is required and the permit fee as set forth in City Code Appendix A must accompany the permit application.~~

~~—(1) Exemptions: temporary sign permit requirement exemptions are detailed in § 19.105 of this code.~~

~~§ 19.119 TEMPORARY SIGNS FOR COMMERCIAL PROMOTIONS.~~

~~—(a) *Purpose.* The City Council finds that many businesses have temporary promotions during the year that last for a limited duration and that these businesses typically publicize the promotions with temporary signs. The following regulations have been formulated to address this need for temporary signs.~~

~~—(b) *On-site temporary signs.*~~

~~—(1) *Maximum size and number.* One temporary sign shall be allowed per street frontage. The maximum size per temporary sign shall be 75 square feet.~~

~~—(2) *Maximum height and minimum setbacks.* Any temporary signs shall maintain a minimum setback of 20 feet from any street right-of-way. No temporary sign shall be placed above the highest outside wall.~~

~~— Exception: in lieu of a larger sign, a temporary sign of 16 square feet or less with a maximum height of six feet may have a minimum setback of ten feet from any street right-of-way line, subject to the clear view triangle area.~~

~~— (3) *Design.* Stringers and balloons less than 24 inches in diameter may be used with the temporary sign for commercial promotions, or may be used alone for a commercial promotion sign.~~

~~— (4) *Time period for signage.* At a single-tenant site temporary signs are limited to a maximum of 60 days per year, not to exceed 12 occasions per year. A multi-tenant site is limited to temporary signs on a maximum of 120 days per year, not to exceed 12 occasions per year for all tenants and a limit of 60 days per individual tenant per calendar year.~~

~~— (5) *Location.* Temporary signs can only be placed in yard areas and on buildings below the roof line. They cannot be placed on sidewalks, parking lots, parking lot islands, retaining walls, boulders, planters or any other areas prohibited by the city code.~~

~~— (6) *Types of permitted temporary signs.* Banners, including banners on buildings, freestanding yard signs, sidewalk signs and commercial flags are permitted types of signs if they meet all other requirements of the city code.~~

~~— (7) *Illumination.* The sign may not be artificially illuminated.~~

~~— (c) *Off-site temporary signs.* Off-site temporary signs shall not be permitted.~~

~~— (d) *Sign permit requirements.* A temporary sign permit is required and the permit fee as set forth in City Code Appendix A must accompany the permit application.~~

~~— Exemptions: temporary sign permit requirement exemptions are detailed in § 19.105 of this code.~~

~~§ 19.120 SIGNS FOR HIGH USAGE PARKS.~~

~~— (a) *Purpose.* The City Council finds that signs for high usage parks must balance the preservation of park and open space with the need to communicate information about events occurring on the premises. Signs at such parks shall therefore comply with the following standards for signs.~~

~~— (b) *Applicability.* This section of this code shall apply to the following parks in the city: Bush Lake Beach, Valley View Playfield, Gene C. Kelly Playfield, Dred Scott Playfield, Mount Normandale Lake Park and Hyland Regional Park. Signs for all other parks shall be according to sign provisions for nonresidential uses in single-family residential districts, except where the Conservation Districts (SC) exception applies. See § 19.110.~~

~~— (c) *Freestanding identification signs.* Freestanding identification signs shall be located on the site of the use.~~

~~— (1) *Where permitted.*~~

~~— (A) *Ground signs.* Ground signs shall be permitted.~~

~~— (B) *Monument signs.* Monument signs shall not be permitted.~~

~~— (C) *Pylon signs.* Pylon signs shall not be permitted.~~

~~—(2) *Maximum sign height.* No part of the sign face or the sign support structure of a ground sign shall be more than eight feet above the final grade, subject to the provision of § 19.108(c).~~

~~—(3) *Minimum setback.* The sign setback shall be a minimum of 15 feet from the right-of-way line.~~

~~—(4) *Maximum sign area and number of signs.*~~

~~—(A) One freestanding ground sign shall be permitted per park. The maximum sign area shall be 80 square feet.~~

~~—(B) If there is more than one park entrance, the park shall be permitted one 24 square foot sign per additional entrance.~~

~~—(5) *Illumination.* Illumination is allowed.~~

~~—Exception: There shall be a minimum distance of 50 feet between the leading edge of any illuminated sign and any parcel that is both residentially zoned and residentially used. See §§ 19.108(d) and 21.301.07(c)(5) for additional provisions on illumination and luminance.~~

~~—(d) *Outfield signs and scoreboard signs.* Outfield signs and scoreboard signs shall be permitted at the high usage playfield parks of Dred Scott Playfield and Valley View Playfield, provided the signs are part of a uniform sign design program. See § 19.109 for uniform sign design. Scoreboard signs shall also be permitted at Jefferson, Kennedy and Lincoln school fields, pursuant to Chapter 19, Article X, but are not required to be part of a uniform sign design program. Illumination is permitted subject to §§ 19.108(d) and 21.301.07(c)(5).~~

~~—(e) *Building identification signs.* See § 19.110(b)(1) through (b)(9).~~

~~—(f) *Other signs.* See § 19.110(c)(1) through (c)(6).~~

~~—(g) *Uniform sign design.* See § 19.109.~~

~~§ 19.121 SIGNS FOR HOTELS.~~

~~—(a) *Purpose.* The City Council finds that signage for hotels present unique communication needs and concerns. Therefore, the following standards shall apply to hotel signage when so specified within the applicable sign district.~~

~~—(b) *Identification signs.* Identification signs shall be located on the site of the use and shall comply with the following standards.~~

~~—(1) *Freestanding identification sign.*~~

~~—(A) *Maximum sign height, sign area, number of signs and minimum setbacks.* The hotel may elect one of the following options per street frontage, subject to the provisions of the clear view triangle area and subject to the provisions of § 19.108(c):~~

~~—(i) One freestanding identification sign shall be permitted per street frontage. The allowable sign surface area shall be 100 square feet for a ground or monument sign or 75 square feet for a pylon sign. The maximum height shall be 20 feet. The sign setback shall be a minimum of 20 feet from any public street right-of-way line;~~

~~—(ii) Two freestanding signs shall be permitted per street frontage, one on either side of a principal entrance. Each ground sign shall not exceed 24 square feet; pylon and monument~~

signs shall not be permitted. Each sign shall have a minimum setback of ten feet from any public street right-of-way line and shall have a maximum height of four feet; or

— (iii) If the hotel is less than seven stories and is adjacent to TH 77, I-494 or I-35W, the hotel may elect an alternate freestanding sign adjacent to those limited access roadways in lieu of the allowed large wall sign for that frontage. This sign shall have a maximum allowable sign surface of 200 square feet; a pylon sign is permitted. The maximum height shall be 40 feet and the minimum setback shall be 20 feet from any public street right-of-way line.

— (B) *Illumination.* Illumination shall be allowed.

— Exception: there shall be a minimum distance of 100 feet between the leading edge of any illuminated sign and any parcel that is both residentially zoned and residentially used. See §§ 19.108(d) and 21.301.07(c)(5) for additional provisions on illumination and luminance.

— (2) *Wall signs.*

— (A) Each hotel building shall be permitted two elevations with large wall identification signs and two elevations with smaller wall identification signs. Each elevation shall be permitted one identification sign. The maximum allowable sign surface area for wall signs shall be based on the number of stories or the number of rooms, whichever will result in the larger sign surface area and shall be determined in accordance with 19.121.1 below.

— (B) All hotels shall have signs which are internally illuminated and are mounted within 20 feet of the top of the wall on which the sign is located, but in no event shall it extend above the wall, or within 20 feet of the ground level below the sign.

— (C) Hotels with seven or more stories shall have channel construction signs.

— (D) Illumination is permitted. See §§ 19.108(d) and 21.301.07(c)(5) for additional provisions on illumination and luminance.

Table 19.121.1 Sign Size Based on Stories or Rooms.

Stories	Rooms	Elevations with Large Wall Signs	Maximum Size	Elevations with Small Wall Signs	Maximum Size
1		2	250	2	100
2		2	250	2	100
3		2	250	2	100
4		2	250	2	100
5		2	250	2	100
6		2	250	2	100
7	250	2	250	2	100
8	275	2	300	2	125
9	300	2	350	2	150
10	325	2	400	2	175
11	350	2	400	2	200
12	375	2	400	2	225
13	400	2	400	2	225
14	425	2	400	2	225
15	450	2	400	2	225
16	475	2	400	2	225

17	500	2	400	2	225
18	525	2	400	2	225
19	550	2	400	2	225
20	575	2	400	2	225
21	600	2	400	2	225
22	625	2	400	2	225
23	650	2	400	2	225
24	675	2	400	2	225
25	700	2	400	2	225

~~— (3) *Porte cochere signs.* For each porte cochere, a hotel shall be permitted three face-mounted porte cochere hotel identification signs not to exceed 20 square feet in area each. Each sign shall be mounted on a separate side. Illumination shall be permitted. See §§ 19.108(d) and 21.301.07(c)(5) for additional provisions on illumination and luminance. If a hotel's wall sign(s) is channel construction, the porte cochere sign shall also be channel construction.~~

~~— (4) *Canopy signs.*~~

~~— (A) For each entrance not covered by a porte cochere, a hotel shall be permitted a canopy sign not to exceed 12 square feet. The sign shall be on the front face of the canopy and illumination shall be permitted.~~

~~— (B) No canopy shall be installed without approval of or revision to the final site and building plans or final development plans.~~

~~— (C) Illumination. Illumination is permitted. See §§ 19.108(d) and 21.301.07(c)(5) for additional provisions on illumination and luminance.~~

~~— (5) *Other building identification signs.*~~

~~— (A) Roof signs, roof-integral signs, projecting signs, awning signs, marquee signs and suspended signs shall not be permitted.~~

~~— (B) Window signs shall not be permitted.~~

~~— (C) For each entrance not covered by a porte cochere or canopy, a hotel is permitted one wall sign not to exceed 12 square feet. The sign shall be adjacent to the entrance.~~

~~— (i) Illumination is permitted. See §§ 19.108(d) and 21.301.07(c)(5) for additional provisions on illumination and luminance.~~

~~— (c) *Accessory uses.*~~

~~— (1) Each accessory use shall be permitted one wall mounted business sign not to exceed 30 square feet per wall face. The total allowable signage for all accessory uses per face shall not exceed 50 square feet.~~

~~— (2) If channel construction is used for the accessory use sign, the sign area per accessory use shall not exceed 60 square feet and the total allowable signage for all accessory uses per face shall not exceed 100 square feet.~~

~~—(3) Signs for accessory uses shall be located on the wall adjacent to the building's pedestrian entrance for the accessory use. In no circumstance shall the total allowable signage for all accessory uses per face be exceeded.~~

~~—(4) Illumination shall be permitted. See §§ 19.108(d) and 21.301.07(c)(5) for additional provisions on illumination and luminance.~~

~~—(d) Other signs.~~

~~—(1) Directional signs. See § 19.116.~~

~~—(2) Incidental signs. See § 19.117.~~

~~—(3) Window signs. Window signs shall not be permitted.~~

~~—(4) Other regulated signs exempt from sign permits.~~

~~—(A) Building marker. See § 19.105(c)(3).~~

~~—(B) Construction sign, project (commercial, industrial and residential for projects of six or more lots or multiple-family projects). See § 19.105(c)(4).~~

~~—(C) Flags, noncommercial. See § 19.105(c)(5).~~

~~—(D) Interior signs. See § 19.105(c)(9).~~

~~—(E) Reserved.~~

~~—(F) Official signs and notices. See § 19.105(c)(11).~~

~~—(G) Political signs. See § 19.105(c)(12).~~

~~—(H) Public notices. See § 19.105(c)(13).~~

~~—(I) Public utility signs. See § 19.105(c)(14).~~

~~—(J) Real estate signs. See § 19.105(c)(15).~~

~~—(K) Tombstones. See § 19.105(c)(17).~~

~~—(L) Traffic control signs. See § 19.105(c)(18).~~

~~—(5) Prohibited signs. See § 19.106.~~

~~—(6) Temporary signs for commercial promotions. See § 19.119.~~

~~—(e) Uniform sign design. A uniform sign design is required. See § 19.109 for requirements.~~

~~§ 19.122 SIGNS FOR CLASS I (NEW) MOTOR VEHICLE SALES.~~

~~—(a) Purpose. The City Council finds that Class I motor vehicle sales sites are to be distinguished from other parcels for purposes of sign regulation. The following sign standards shall, therefore, apply to Class I motor vehicle sales sites.~~

~~—(b) Identification signs. Identification signs shall be located on the site of the use. Building identification signs shall comply with the following standards.~~

~~—(1) Freestanding identification signs.~~

~~—— (A) *Where permitted.*~~

~~—— (i) *Ground signs.* Ground signs shall be permitted.~~

~~—— (ii) *Monument signs.* Monument signs shall be permitted.~~

~~—— (iii) *Pylon signs.* Pylon signs shall be permitted.~~

~~—— (B) *Maximum number of signs.* One freestanding identification sign shall be permitted per street frontage. There shall be a maximum of two freestanding identification signs per site.~~

~~—— (C) *Maximum sign area and height.*~~

~~—— (i) The maximum allowable sign surface area for a monument sign shall be 100 square feet with a maximum height of 30 feet.~~

~~—— (ii) The maximum allowable sign surface area for a pylon sign shall be 75 square feet with a maximum height of 30 feet.~~

~~—— (iii) Where the site has multiple street frontages, both signs may be oriented towards the same frontage and are subject to the provisions of § 19.108(c).~~

~~—— (D) *Maximum setbacks, front.* The minimum setback for all freestanding identification signs shall be a minimum of 20 feet from any public street right-of-way line.~~

~~—— (E) *Minimum setbacks, side and rear.* No freestanding identification sign shall be located closer than five feet to a side or rear property line.~~

~~—— (F) *Illumination.* Illumination shall be permitted.~~

~~—— Exception: there shall be a minimum distance of 100 feet between the leading edge of any illuminated sign and any parcel that is both residentially zoned and residentially used. See §§ 19.108(d) and 21.301.07(c)(5) for additional provisions on illumination and luminance.~~

~~—— (2) *Wall signs.* All identification signs shall be located on the site of the use.~~

~~—— (A) *Maximum size and number of signs.*~~

~~—— (i) The maximum total sign surface area shall be 6% of the surface area of the primary elevation and 4% of the surface area of a secondary elevation. Each building is permitted one primary elevation and one secondary elevation. The owner shall determine which elevation is the primary elevation, and each permitted sign shall be oriented toward its respective lot line. When a site has multiple Class I motor vehicle sales facilities, each facility owner determines which elevation is the primary elevation and which elevation is the secondary elevation. Class I motor vehicle sales facilities may not allocate sign area to another facility on the same site.~~

~~—— (ii) In addition to subsection (b)(2)(A)(i) above, the linear measurement of the sign shall not exceed 80% of the linear frontage of the facade of the structure.~~

~~—— (iii) Wall signs may be a combination of cabinet and channel construction. Where a combination is used, the cabinet portion of the sign area may not exceed 33% of the total sign area for each sign.~~

~~—— (iv) Any number of wall signs may be utilized, so long as the total surface area of signs on a particular building elevation does not exceed the maximums noted in subsection (b)(2)(A)(i) above.~~

~~— (v) Signage with murals may be utilized, so long as the total surface area of wall signs and signs that are part of a mural do not exceed the maximums noted in subsection (b)(2)(A)(i). For Class I motor vehicle sales facilities, signage within murals is considered to be any graphic or text conveying a commercial message including, but not limited to: images of motor vehicles, brand logos, brand names, or taglines.~~

~~— (B) *Distance from side or rear lot line when abutting a dwelling district.* No wall sign facing the side or rear lot line of an abutting lot zoned as a residential district shall be located within 50 feet of such side or rear lot line.~~

~~— (C) *Illumination.* Illumination shall be permitted.~~

~~— Exception: there shall be a minimum distance of 100 feet between the leading edge of any illuminated sign and any parcel that is both residentially zoned and residentially used. See §§ 19.108(d) and 21.301.07(c)(5) for additional provisions on illumination and luminance.~~

~~— (3) *Other building identification signs.*~~

~~— (A) Roof signs, roof-integral signs, projecting signs, awning signs, marquee signs and suspended signs shall not be permitted.~~

~~— (B) Window signs: signs within a retail display window or attached thereto shall occupy a maximum of 25% of each retail display window.~~

~~— (d) *Other signs.* All other signs shall be located on the site of the use.~~

~~— (1) *Incidental signs.* See § 19.117.~~

~~— (2) *Directional signs.* See § 19.116.~~

~~— (3) *Pennants.* No pennants or other similar attracting or advertising devices shall be permitted except: as noted in § 19.119.~~

~~— (4) *Signs on perimeter poles.* Signs placed on perimeter light poles or other structures or that are not expressly permitted in this section shall be strictly prohibited.~~

~~— (5) *Other regulated signs exempt from sign permits.*~~

~~— (A) *Building marker.* See § 19.105(c)(3).~~

~~— (B) *Construction sign, project (commercial, industrial and residential for projects of six or more lots or multiple family projects).* See § 19.105(c)(4).~~

~~— (C) *Flags, noncommercial.* See § 19.105(c)(5).~~

~~— (D) *Interior signs.* See § 19.105(c)(9).~~

~~— (E) *Reserved.*~~

~~— (F) *Official signs and notices.* See § 19.105(c)(11).~~

~~— (G) *Political signs.* See § 19.105(c)(12).~~

~~— (H) *Public notices.* See § 19.105(c)(13).~~

~~— (I) *Public utility signs.* See § 19.105(c)(14).~~

~~— (J) *Real estate signs.* See § 19.105(c)(15).~~

~~— (K) *Tombstones.* See § 19.105(c)(17).~~

~~— (L) *Traffic control signs.* See § 19.105(c)(18).~~

~~— (6) *Prohibited signs.* See § 19.106.~~

~~— (7) *Temporary signs for commercial promotions.* See § 19.119.~~

~~— (e) *Uniform sign design.* A uniform sign design is required. See § 19.109 for requirements.~~

§ 19.123 SIGNS FOR CONVENIENCE FACILITIES WITH FUEL SALES.

~~— (a) *Purpose.* The City Council finds that convenience facilities with fuel sales have unique needs for signage, thus warranting the following special sign standards.~~

~~— (b) *Total site signage.*~~

~~— (1) The maximum total site signage for a convenience facility with fuel sales shall be 250 square feet.~~

~~— Exception: if a convenience facility with fuel sales has more than one frontage, the maximum total site signage shall be 350 square feet.~~

~~— (2) Total site signage includes all freestanding and wall identification signs. In no circumstance shall the total site signage amount be exceeded.~~

~~— (c) *Identification signs.* All identification signs shall be located on the site of the use. In addition to the regulations of subsection (b) above, building identification signs shall comply with the following standards:~~

~~— (1) *Freestanding identification signs.*~~

~~— (A) *Where permitted.*~~

~~— (i) *Ground signs.* Ground signs shall be permitted.~~

~~— (ii) *Monument signs.* Monument signs shall be permitted.~~

~~— (iii) *Pylon signs.* Pylon signs shall be permitted.~~

~~— (B) *Maximum number of signs.* One freestanding identification sign shall be permitted per street frontage. There shall be a maximum of two freestanding identification signs per lot, each oriented towards a different street frontage.~~

~~— (C) *Maximum sign area and height.*~~

~~— (i) The maximum allowable sign surface area shall be 100 square feet per sign for ground or monument signs or 75 square feet per sign for pylon signs.~~

~~— (ii) In lieu of the two freestanding signs for a lot which has two frontages, a convenience facility with fuel sales may elect one 75 square foot maximum sign in which the only movement is slow rotation of the sign proper and, on the same structure, a two-faced auxiliary sign not to exceed 40 square feet per face.~~

~~—— (iii) The maximum height for any freestanding monument or pylon sign shall be 20 feet. Any freestanding sign shall be subject to the provisions of § 19.108(c).~~

~~—— (D) *Maximum setbacks, front.* The minimum setback shall be a minimum of 20 feet from any public street right-of-way line.~~

~~—— (E) *Minimum setbacks, side and rear.* No freestanding identification sign shall be located closer than five feet to a side or rear property line.~~

~~—— (F) *Illumination.* Illumination shall be permitted.~~

~~—— Exception: there shall be a minimum distance of 100 feet between the leading edge of any illuminated sign and any parcel that is both residentially zoned and residentially used. See §§ 19.108(d) and 21.301.07(c)(5) for additional provisions on illumination and luminance.~~

~~—— (2) *Wall sign.*~~

~~—— (A) *Maximum size and number of signs.*~~

~~—— (i) The allowable sign surface area for wall signs shall be 8% of the total of the wall areas that face any lot line but with a maximum sign surface area of 100 square feet for all wall areas seen in one elevation.~~

~~—— (ii) Signs may be placed on a maximum of three sides, and each permitted sign shall be oriented toward its respective lot line.~~

~~—— (iii) The linear measurement of the sign shall not exceed 80% of the linear frontage of the facade of the structure.~~

~~—— (iv) Any number of wall signs may be utilized so long as the total surface area of signs on a particular building elevation does not exceed the maximums noted in subsections (b) and (c)(2)(A) above.~~

~~—— (B) *Distance from side or rear lot line when abutting a dwelling district.* There shall be no required side or rear setbacks.~~

~~—— (C) *Illumination.* Illumination shall be permitted.~~

~~—— Exception: there shall be a minimum distance of 200 feet between the leading edge of any illuminated sign and any parcel that is both residentially zoned and residentially used. See §§ 19.108(d) and 21.301.07(c)(5) for additional provisions on illumination and luminance.~~

~~—— (3) *Other building identification signs.*~~

~~—— (A) Roof signs, roof-integral signs, projecting signs, awning signs, marquee signs and suspended signs shall be prohibited.~~

~~—— (B) *Window signs.* Signs within a retail display window or attached thereto shall occupy a maximum of 25% of each retail display window.~~

~~—— (4) *Service area canopy sign.*~~

~~—— (A) *Maximum size and number of signs.* Service area canopy signs are considered wall signs. Sign size shall be computed as above.~~

~~— (B) *Distance from side or rear lot line when abutting dwelling district.* There shall be no required side or rear setbacks.~~

~~— (C) *Illumination.* Illumination shall be permitted.~~

~~— Exception: there shall be a minimum distance of 200 feet between the leading edge of any illuminated service area canopy sign and any parcel that is both residentially zoned and residentially used. See §§ 19.108(d) and 21.301.07(c)(5) for additional provisions on illumination and luminance.~~

~~— (5) *Spandrel sign.*~~

~~— (A) *Maximum size and number of signs.* The maximum sign surface area shall not exceed two square feet per dispensing station regardless of the number of hoses. The signage allowed per dispensing station may be combined into one sign on the spandrel. Signage is permitted on only two sides of the spandrel.~~

~~— (B) *Distance from side or rear lot line when abutting a dwelling district.* There shall be no required side and rear setbacks.~~

~~— (C) *Illumination.* Illumination is permitted.~~

~~— Exception: there shall be a minimum distance of 200 feet between the leading edge of any illuminated spandrel sign and any parcel that is both residentially zoned and residentially used. See §§ 19.108(d) and 21.301.07(c)(5) for additional provisions on illumination and luminance.~~

~~— (d) *Other signs.* All other signs shall be located on the site of the use.~~

~~— (1) *Incidental signs.* The following standards shall apply for number of incidental signs in lieu of the regulations for the number of incidental signs in § 19.117. All other regulations for incidental signs in § 19.117 shall apply.~~

~~— (A) Each incidental sign shall be located at the point to which the sign is directed, i.e., service, body shop and the like.~~

~~— (B) Only one sign for each subject shall be permitted.~~

~~— (2) *Directional signs.* See § 19.116.~~

~~— (3) *Pump Island signs.* In lieu of the spandrel sign, the convenience facility with fuel sales may elect pump island signs or “pump toppers.” Pump island signs of two square feet or less are allowed without permits. Pump island signs greater than two square feet are not allowed. Signage is permitted on only two sides of the pump island sign.~~

~~— (4) *Pennants.* No pennants or other similar attracting or advertising devices shall be permitted except: as noted in § 19.119.~~

~~— (5) *Signs on perimeter poles.* Signs placed on perimeter poles or other structures or that are not expressly permitted in this section shall be strictly prohibited.~~

~~— (6) *Operator identification.* Signs identifying the operator of the convenience facility with fuel sales shall be located on the building and shall have a maximum area of six square feet.~~

~~— (7) *Other regulated signs exempt from sign permits.*~~

- ~~— (A) *Building marker.* See § 19.105(c)(3).~~
- ~~— (B) *Construction sign, project (commercial, industrial and residential for projects of six or more lots or multiple-family projects).* See § 19.105(c)(4).~~
- ~~— (C) *Flags, noncommercial.* See § 19.105(c)(5).~~
- ~~— (D) *Interior signs.* See § 19.105(c)(9).~~
- ~~— (E) *Reserved.*~~
- ~~— (F) *Official signs and notices.* See § 19.105(c)(11).~~
- ~~— (G) *Political signs.* See § 19.105(c)(12).~~
- ~~— (H) *Public notices.* See § 19.105(c)(13).~~
- ~~— (I) *Public utility signs.* See § 19.105(c)(14).~~
- ~~— (J) *Real estate signs.* See § 19.105(c)(15).~~
- ~~— (K) *Tombstones.* See § 19.105(c)(17).~~
- ~~— (L) *Traffic control signs.* See § 19.105(c)(18).~~
- ~~— (8) *Prohibited signs.* See § 19.106.~~
- ~~— (9) *Temporary signs for commercial promotions.* See § 19.119.~~
- ~~— (e) *Uniform sign design.* A uniform sign design is required. See § 19.109 for requirements.~~

~~§ 19.124 SIGNS FOR OFFICE BUILDINGS WITH SEVEN OR MORE STORIES.~~

- ~~— (a) *Purpose.* The City Council finds that due to their height, office buildings with seven or more stories have unique signage needs. The following standards shall, therefore, apply to office buildings with seven or more stories when so specified within the applicable Sign District.~~
- ~~— (b) *Identification signs.* Identification signs shall be located on the site of the use and comply with the following standards.~~
 - ~~— (1) *Freestanding identification signs.*~~
 - ~~— (A) *Maximum sign height, sign area, and number of signs and minimum setbacks.* The office building may elect one of the following options per street frontage:

 - ~~— (i) One freestanding identification sign shall be permitted per street frontage . The allowable sign surface area shall be 100 square feet for a ground or monument sign or 75 square feet for a pylon sign. The maximum height shall be 20 feet. The sign setback shall be a minimum of 20 feet from any public street right-of-way line.~~
 - ~~— (aa) In lieu of the permitted freestanding sign, the freestanding sign area may be allocated to the wall on the same frontage as allowed in § 19.124(b)(2); or~~
 - ~~— (ii) Two freestanding signs shall be permitted per street frontage , one on either side of a principal entrance. Each ground sign shall not exceed 24 square feet; pylon and monument signs shall not be permitted. Each sign shall have a minimum setback of ten feet from any public street right-of-way line and shall have a maximum height of four feet.~~~~

~~—— (iii) The sign height is subject to the provisions of § 19.108(c).~~

~~—— (B) *Illumination.* Illumination shall be permitted.~~

~~—— Exception: there shall be a minimum distance of 100 feet between the leading edge of any illuminated sign and any parcel that is both residentially zoned and residentially used. See §§ 19.108(d) and 21.301.07(c)(5) for additional provisions on illumination and luminance.~~

~~—— (2) *Wall signs.*~~

~~—— (A) Each office building of seven or more stories shall be permitted two elevations with large wall identification signs and two elevations with smaller wall identification signs. Each elevation shall be permitted one wall identification sign. The maximum allowable sign surface area for wall signs shall be based on the number of stories and shall be determined in accordance with Table 19.124.1 below.~~

~~—— (B) All signs shall be channel construction and shall be mounted within 20 feet of the top of the wall on which the sign is located, but in no event shall it extend above the wall, or within 20 feet of the ground level below the sign. If the signs are illuminated, they shall be internally illuminated. See §§ 19.108(d) and 21.301.07(c)(5) for additional provisions on illumination and luminance.~~

Stories	Elevations with Large Wall Signs	Maximum-Size Sq. Ft.	Elevations with Small Wall Signs	Maximum-Size
7	2	250	2	100
8	2	300	2	125
9	2	350	2	150
10	2	400	2	175
11	2	400	2	200
12 or More	2	400	2	225

~~—— (C) In addition, in lieu of a permitted freestanding sign for a street frontage, the user may elect to have one wall sign mounted within 20 feet of the ground level below the sign oriented towards each street frontage where a freestanding sign is permitted. The site may not exceed 100 square feet and the sign must be located near a primary building entrance.~~

~~—— (3) *Porte cochere signs.* Each office building of seven or more stories shall be permitted, per porte cochere, three face-mounted porte cochere identification signs not to exceed 20 square feet in area each. Each sign shall be mounted on a separate side and illumination shall be permitted. See §§ 19.108(d) and 21.301.07(c)(5) for additional provisions on illumination and luminance. If an office building's wall sign(s) is channel construction, the porte cochere signs shall also be channel construction.~~

~~—— (4) *Canopy signs.*~~

~~—— (A) For each entrance not covered by a porte cochere, an office building of seven or more stories shall be permitted a canopy sign not to exceed 12 square feet. The sign shall be on the front face of the canopy and illumination shall be permitted.~~

~~—(B) No canopy shall be installed without approval of or revision to the final site and building plans or final development plans.~~

~~—(C) Illumination. Illumination is permitted. See §§ 19.108(d) and 21.301.07(c)(5) for additional provisions on illumination and luminance.~~

~~—(5) Other building identification signs:~~

~~—(A) Roof signs, roof-integral signs, projecting signs, awning signs, marquee signs and suspended signs shall not be permitted.~~

~~—(B) Window signs shall not be permitted.~~

~~—(c) Accessory or limited uses. All signs for accessory or limited uses shall be located on the site of the accessory or limited use.~~

~~—(1) Each accessory or limited use shall be permitted one wall mounted sign not to exceed 30 square feet per wall face. The total allowable signage for all accessory or limited uses per face shall not exceed 50 square feet.~~

~~—(2) If channel construction is used for the accessory or limited use sign, the sign area per accessory use shall not exceed 60 square feet and the total allowable signage for all accessory or limited uses per elevation shall not exceed 100 square feet.~~

~~—(3) Signs for accessory or limited uses shall only be on walls which face a street frontage that has a freestanding sign(s). The accessory use signs shall be located adjacent to the building's pedestrian entrance for the accessory or limited use.~~

~~—(4) Illumination shall be permitted. See §§ 19.108(d) and 21.301.07(c)(5) for additional provisions on illumination and luminance.~~

~~—(d) Other signs:~~

~~—(1) Directional signs. See § 19.116.~~

~~—(2) Incidental signs. See § 19.117.~~

~~—(3) Other regulated signs which are exempt from sign permits:~~

~~—(A) Building marker. See § 19.105(c)(3).~~

~~—(B) Construction sign, project (commercial, industrial and residential for projects of six or more lots or multiple-family projects). See § 19.105(c)(4).~~

~~—(C) Flags, noncommercial. See § 19.105(c)(5).~~

~~—(D) Interior signs. See § 19.105(c)(9).~~

~~—(E) Reserved.~~

~~—(F) Official signs and notices. See § 19.105(c)(11).~~

~~—(G) Political signs. See § 19.105(c)(12).~~

~~—(H) Public notices. See § 19.105(c)(13).~~

~~—(I) Public utility signs. See § 19.105(c)(14).~~

~~—(J) *Real estate signs.* See § 19.105(c)(15).~~

~~—(K) *Tombstones.* See § 19.105(c)(17).~~

~~—(L) *Traffic control signs.* See § 19.105(c)(18).~~

~~—(4) *Prohibited signs.* See § 19.106.~~

~~—(5) *Temporary signs for commercial promotions.* See § 19.119.~~

~~—(e) *Uniform sign design.* A uniform sign design is required. See § 19.109 for requirements.~~

§ 19.125 HISTORIC SIGNS.

~~—(a) *Purpose.* The City Council finds that there are signs in the city which, due to their age and design, help the community remember its history. These regulations have been formulated to allow those signs to be protected.~~

~~—(b) *Standards.* The following standards shall be met.~~

~~—(1) The sign and the use to which it pertains have been in continuous existence at the present location for at least 30 years, and the sign has not been significantly altered.~~

~~—(2) The sign is structurally safe or is capable of being made so without substantially altering its historical significance.~~

~~—(3) The continued existence of the sign is encouraged and is beneficial to the public good. Such a sign contributes to the historical or cultural character of the streetscape and the community at large.~~

~~—(c) *Procedure.*~~

~~—(1) Other than safety and structural requirements, the provisions of this sign ordinance may be waived by the City Council for historic signs upon application for relief by the sign owner or by a city-initiated application.~~

~~—(2) Upon filing of said application, the Planning Commission may recommend after a public hearing, and the City Council may declare a sign to be “historic” by making findings according to the standards above. Notwithstanding safety, maintenance or structural regulations, a sign so designated by the City Council shall be deemed to conform with this Article X. Notices for the Planning Commission’s public hearing shall be sent to abutting and affected property owners.~~

~~—(3) Nothing in this section shall prohibit the owner of a designated sign from removing such sign.~~

§ 19.125.01 MENU BOARDS.

~~—The City Council finds that menu board signage for restaurants present unique communication needs and concerns. Therefore, the following standards apply to menu boards.~~

~~—(a) *Number and dimensions.*~~

~~—(1) *Primary menu board.* One primary menu board not to exceed 36 square feet in sign area and not to exceed eight feet in height is allowed per order station up to a maximum of two primary menu boards.~~

~~—(2) *Secondary menu board.* One secondary menu board not to exceed 15 square feet in sign area and not to exceed six feet in height is allowed.~~

~~—(3) *Additional signage.* Primary and secondary menu boards are allowed in addition to other permitted signs on-site. No additional signage may be attached to primary and secondary menu boards that exceeds the permitted area or height for the respective primary or secondary menu board.~~

~~—(b) *Residential separation.* When a site directly abuts a residentially zoned and used site, a menu board must be set back at least 75 feet from the residential property line.~~

~~—(c) *Illumination.* Illumination is permitted. See §§ 19.108(d) and 21.301.07(c)(5) for additional provisions on illumination and luminance.~~

~~§ 19.125.02 SIGNS FOR COLLEGE CAMPUSES AND SCHOOLS (K-12).~~

~~—(a) *Purpose.* The City Council finds that signage for college campuses and schools (K-12) present unique communication needs and concerns. Therefore, the following standards shall apply to college campus and school (K-12) sites of ten acres or more in size. These standards shall take precedent over the standards in the underlying sign district.~~

~~—(b) *Identification signs.* Identification signs shall be located on the site of the use and shall comply with the following standards:~~

~~—(1) *Freestanding Identification signs for college campuses.* Schools (K-12) follow standards within respective sign district.~~

~~—(A) *Permitted.*~~

~~—(i) *Ground signs.* Ground signs shall be permitted.~~

~~—(ii) *Monument signs.* Monument signs shall be permitted.~~

~~—(B) *Prohibited.*~~

~~—(i) *Pylon signs.* Pylon signs shall be prohibited.~~

~~—(C) *Illumination.* Illumination shall be allowed. There shall be a minimum distance of 50 feet between the leading edge of any illuminated sign and any parcel that is both residentially zoned and residentially used. See §§ 19.108(d) and 21.301.07(c)(5) for additional provisions on illumination and luminance.~~

~~—(D) *Primary identification sign standards.*~~

~~—(i) One primary identification sign shall be allowed per arterial street frontage. If located along the same street frontage, primary identification signs must be spaced a minimum of 1,000 feet apart and spaced a minimum of 300 feet apart from secondary identification signs.~~

~~—(ii) The allowable sign face area shall be 100 square feet. The sign face shall include any area devoted to changeable copy, electronic graphic or video display.~~

~~—(iii) The maximum height shall be 20 feet.~~

~~—(iv) The sign shall be set back a minimum of ten feet from any planned public street right-of-way.~~

~~— (E) *Secondary identification sign standards.*~~

~~— (i) Two secondary identification signs shall be allowed. If located along the same street frontage, secondary identification signs must be spaced a minimum of 300 feet apart from another secondary or primary sign.~~

~~— (ii) The allowable sign face area shall be 50 square feet. Changeable copy, electronic graphic or video display is prohibited.~~

~~— (iii) The maximum height shall be ten feet.~~

~~— (iv) The sign shall be setback a minimum of ten feet from any planned public street right-of-way.~~

~~— (2) *Wall identification signs for college campuses.* Schools (K-12) follow standards within respective sign district.~~

~~— (A) *Maximum number and size.* Wall signs, consisting of channel construction, shall be permitted on each building elevation provided the total amount of signage does not exceed one square foot per one lineal foot of elevation. See § 19.107(f) for computation of elevation area.~~

~~— (B) *Illumination.* Illumination shall be allowed. There shall be a minimum distance of 50 feet between the leading edge of any illuminated sign and any parcel that is both residentially zoned and residentially used. See §§ 19.108(d) and 21.301.07(e)(5) for additional provisions on illumination luminance.~~

~~— (3) *Directional identification signs.*~~

~~— (A) *Maximum number.* One directional identification sign shall be allowed for each entrance into the college campus or school from a public street. See § 19.116 for regulations regarding other directional signs.~~

~~— (B) *Maximum size and height.* The maximum sign face area shall be 25 square feet. The maximum height shall be eight feet.~~

~~— (C) *Minimum setbacks.* Directional signs shall be setback five feet from any planned public street right-of-way.~~

~~— (D) *Illumination.* Illumination shall be allowed. There shall be a minimum distance of 50 feet between the leading edge of any illuminated sign and any parcel that is both residentially zoned and residentially used. See §§ 19.108(d) and 21.301.07(e)(5) for additional provisions on illumination and luminance.~~

~~— (4) *Accent signs.* These include specially designed signs, such as banners, intended to enhance campus or school identity and visual character.~~

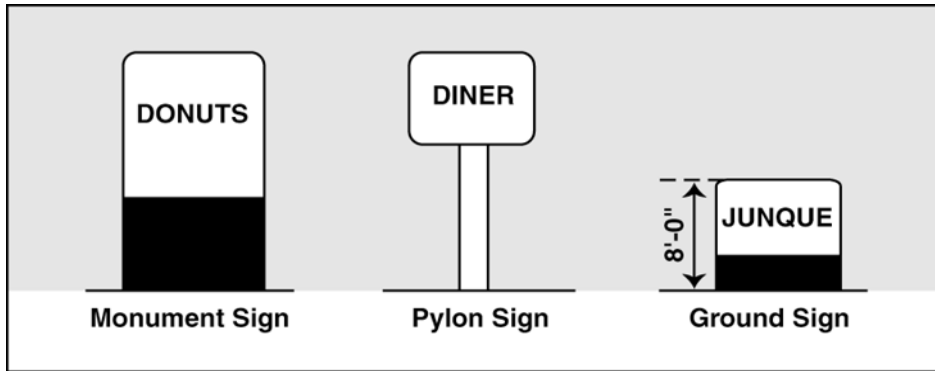
~~— (A) *Location.* Accent signs may be located along the campus or school site perimeter and/or within the campus or school site. Accent signs should be located in developed areas of the campus or school site and shall not be placed in or adjacent to undeveloped and/or natural areas within the campus or school site boundaries.~~

~~— (B) *Maximum number.* A maximum of one accent sign per two acres of total campus or school site area shall be allowed. Accent signs located 30 feet or less from the property line, along the same side of a street shall be spaced a minimum of 200 feet apart.~~

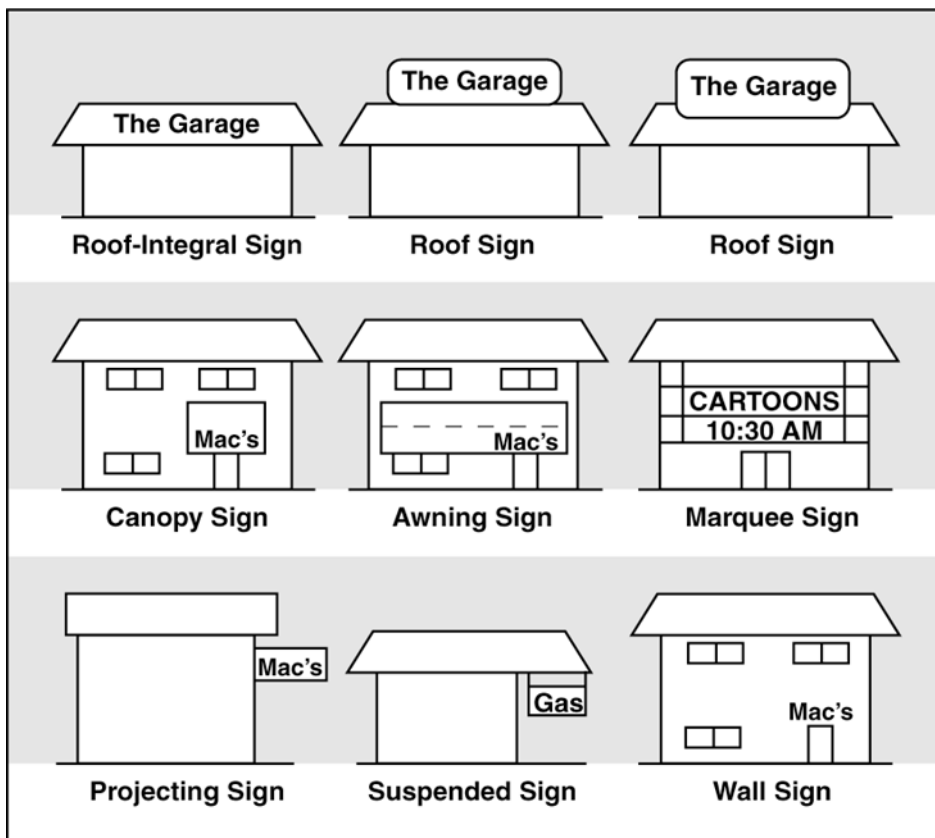
- ~~— (C) *Maximum size and height.* The maximum sign face area shall be 18 square feet. The maximum height shall be 20 feet.~~
- ~~— (D) *Minimum setbacks.* Accent sign support poles shall be setback a minimum of three feet from any planned public street right-of-way. No portion of the sign shall extend into any planned public street right-of-way.~~
- ~~— (E) *Illumination.* Illumination shall not be allowed.~~
- ~~— (c) *Other signs.*~~
 - ~~— (1) *Directional signs.* See § 19.116.~~
 - ~~— (2) *Incidental signs.* See § 19.117.~~
 - ~~— (3) *Window signs.* Window signs shall not be permitted.~~
 - ~~— (4) *Other regulated signs exempt from sign permits.*~~
 - ~~— (A) *Building marker.* See § 19.105(c)(3).~~
 - ~~— (B) *Construction sign, project (commercial, industrial and residential for projects of six or more lots or multiple-family projects).* See § 19.105(c)(4).~~
 - ~~— (C) *Flags, noncommercial.* See § 19.105(c)(5).~~
 - ~~— (D) *Interior signs.* See § 19.105(c)(9).~~
 - ~~— (E) *Reserved.*~~
 - ~~— (F) *Official signs and notices.* See § 19.105(c)(11).~~
 - ~~— (G) *Political signs.* See § 19.105(c)(12).~~
 - ~~— (H) *Public notices.* See § 19.105(c)(13).~~
 - ~~— (I) *Public utility signs.* See § 19.105(c)(14).~~
 - ~~— (J) *Real estate signs.* See § 19.105(c)(15).~~
 - ~~— (K) *Tombstones.* See § 19.105(c)(17).~~
 - ~~— (L) *Traffic control signs.* See § 19.105(c)(18).~~
 - ~~— (M) *A sign not visible from any existing or planned public or private street and is more than 150 feet from any property line.* Landscaping does not count toward screening of the sign. The maximum sign size is 50 square feet.~~
 - ~~— (5) *Prohibited signs.* See § 19.106.~~
 - ~~— (6) *Temporary signs for commercial promotions.* See § 19.119.~~
- ~~— (d) *Uniform sign design.* A uniform sign design is required. See § 19.109 for requirements.~~
- ~~— (e) *Public easements.* No signs shall be placed within a public easement without the written approval of the Director of Public Works.~~

DIVISION F: GRAPHIC ILLUSTRATIONS

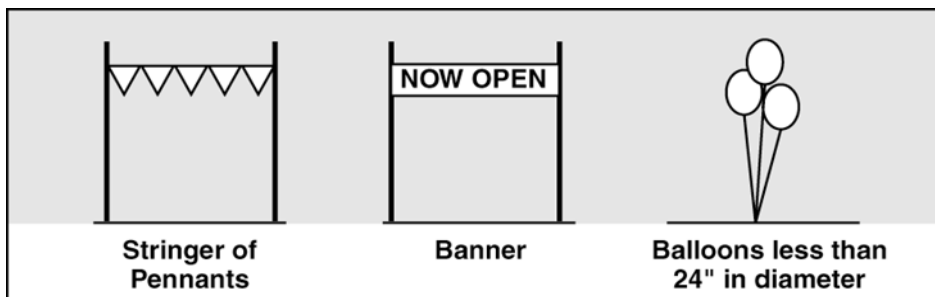
§ 19.126 FREESTANDING IDENTIFICATION SIGNS/PERMANENT SIGNS.



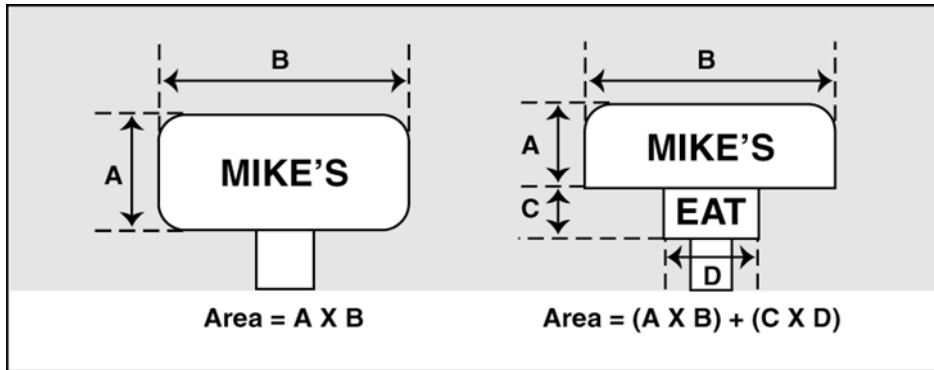
§ 19.126.1 BUILDING IDENTIFICATION SIGNS/PERMANENT SIGNS.



§ 19.126.2 TEMPORARY SIGNS.



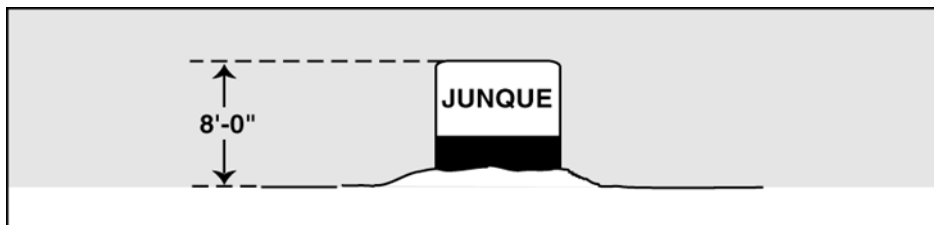
§ 19.126.3 COMPUTATION OF SIGN SURFACE AREA OF INDIVIDUAL CABINET OR PANEL SIGNS.



§ 19.126.4 COMPUTATION OF SIGN SURFACE AREA OF INDIVIDUAL SIGNS OF CHANNEL CONSTRUCTION, AWNING, AND CANOPY SIGNS.



§ 19.126.5 HEIGHT OF SIGN WITH GRADE MOUNDING.



§ 19.126.6 RESERVED.

§ 19.127 TEMPORARY SIGNS FOR APPROVED INTERIM USES IN THE CLASS VI SIGN DISTRICT (CX-2).

—(a) *Purpose.* The City Council finds that interim uses are allowed in the Class VI Sign District. Because these uses are temporary in character, they present unique needs for signage. The following regulations have been formulated to address the need for temporary signs for such approved uses.

—(b) *On-site temporary signs.* On-site temporary signs shall comply with the following standards.

—(1) *Maximum size and number.* There is no maximum placed on size or number.

~~—(2) *Minimum setback and maximum height.* The temporary signs shall maintain a minimum setback of 20 feet from any public street right-of-way line. No temporary sign shall be placed higher than any temporary structure on the site.~~

~~—(3) *Maximum time period for signage.* Temporary signs may be used for the period of time approved by the city for the interim use in the Class VI Sign District.~~

~~—(4) *Illumination.* Illumination is permitted. See §§ 19.108(d) and 21.301.07(c)(5) for additional provisions on illumination and luminance.~~

~~—(c) *Off-site temporary signs.* Off-site signs shall not be permitted.~~

~~—(d) *Sign permit requirements.* A temporary sign permit is required and the permit fee as set forth in City Code Appendix A must accompany the permit application.~~

~~—(1) *Exemptions: temporary sign permit requirement exemptions are detailed in § 19.105 of this code.*~~

Section 7. That Chapter 21 of the City Code is hereby amended by deleting those words that are contained in brackets [] with ~~strike through~~ text and adding those words that are underlined, to read as follows:

CHAPTER 21: ZONING AND LAND DEVELOPMENT

ARTICLE II: DISTRICTS AND USES

DIVISION E: INDUSTRIAL ZONING DISTRICTS

§ 21.206.07 TRANSITIONAL INDUSTRIAL (TI) DISTRICT.

(c) *Standards.* Development in TI District must comply with the following standards:

(12) *Structure design.* New structures and building additions in the TI District must comply with design standards shown below in subsections (A) through (D), in addition to the requirements described in § 21.301.03(a). The following design standards are meant to create an attractive street-level environment that promotes pedestrian activity, comfort, and public safety in the TI District. The highest design standards must be provided on the street front intended for the highest pedestrian-orientation; this is the primary façade. The issuing authority will determine which elevation is considered to be the primary façade. All other street frontages are considered secondary façades. Building fronts facing Harriett Avenue and Halsey Lane are exempt from the standards shown below in subsections (A) through (D).

(A) *Windows.* The ground level portion of a building façade between two feet and ten feet above grade must consist of:

(iv) *Exceptions.* Where the issuing authority determines that meeting the minimum window requirement is not practical due to location of loading, storage, "back of house" operations, or other structural impediments, the area of windows required in this section may be substituted with an equivalent area comprised of at least two of the following enhancements to the ground level portion of a building façade, between two feet and ten feet above grade:

(bb) *Display boxes.* Framed display boxes may be attached to the exterior building wall provided:

(CC) Any signage in or attached to the display box complies with the requirements of [City Code] Chapter [19, Article X (sign regulations)]21, Article III, Division D, the sign code; and

DIVISION H: USES

§ 21.209 USE TABLES.

(d) *Neighborhood and Freeway Commercial Zoning Districts.*

<i>Use Type</i>	<i>Zoning District</i>								<i>References; See Listed Section</i>
	<i>B-1</i>	<i>B-2</i>	<i>B-4</i>	<i>C-1</i>	<i>C-2</i>	<i>C-3</i>	<i>C-4</i>	<i>C-5</i>	

GENERAL										
Billboards in existence prior to June 1, 1994										<u>[19.66]21.304.20</u>

ARTICLE III: DEVELOPMENT STANDARDS

DIVISION A: GENERAL STANDARDS

§ 21.301.03 STRUCTURE DESIGN.

(b) *Additional structure design standards for Mixed Use Districts.* To provide an attractive street-level environment that promotes pedestrian activity, comfort and public safety in the B-4, C-5 and LX zoning districts, buildings fronting on a public or private street must meet additional design standards as described below. The highest design standards must be provided on the

street front intended for the highest pedestrian-orientation; this is the primary façade. The Issuing Authority will determine which elevation is considered to be the primary façade. All other street frontages are considered to be secondary facades.

(1) *Windows.* The ground level portion of a building façade between two feet and ten feet above grade must consist of:

(D) *Exceptions.* Where the Issuing Authority determines that meeting the minimum window requirement is not practical due to location of loading, storage, “back of house” operations, or other structural impediments, the area of windows required in this section may be substituted with an equivalent area comprised of at least two of the following enhancements to the ground level portion of a building façade between two feet and ten feet above grade:

(ii) *Display boxes.* Framed display boxes may be attached to the exterior building wall provided:

(cc) Any signage in or attached to the display box meets the requirements of [city code Article X Sign Regulations] Chapter 21, Article III, Division D, the sign code; and

§ 21.301.25 MURALS.

(d) *General standards.*

(4) *Sign incorporation within murals.* Signs regulated by Chapter 21, Article III, Division D, the sign code, [19, Article X of this city code] may be incorporated into an approved mural and must comply with all applicable sign requirements of this city code, but in no case may exceed ten percent of the total mural area. A separate sign permit is required when applicable for the sign type.

DIVISION B: USE STANDARDS

§ 21.302.01 MOTOR VEHICLE SALES.

(i) *Signs.* See Chapter 21, Article III, Division D, the sign code [§ 19.122] for applicable standards.

§ 21.302.13 HOME BUSINESSES.

(d) *Standards.*

(8) *Exterior displays and signage.* Exterior display, exterior signage, advertisement or other exterior indication of a home business is limited to one non-illuminated sign not to exceed one and one-half square feet in area as per [~~Chapter 19, Article X~~Chapter 21, Article III, Division D, the sign code].

§ 21.302.18 MOBILE FOOD UNITS.

(d) *Standards.* The following standards apply to mobile food units unless otherwise approved through one of the following special events: farmers' market permit per § 14.600, arts and crafts festival permit per § 14.700, permit for public assembly, parade, race, or private special event per § 14.61, or city sponsored event.

(4) Operation.

(E) All mobile food unit signs must be affixed to the vehicle or trailer and in compliance with [~~Chapter 19, Article X: Sign Regulations~~Chapter 21, Article III, Division D, the sign code].

DIVISION D: [RESERVED]SIGN REGULATIONS

§ 21.304.01 TITLE.

This Chapter 21, Article 3, Division D of the city code shall be known as the "sign code."

§ 21.304.02 FINDINGS, PURPOSES, AND INTENT.

(a) Findings. The City Council finds it necessary for the promotion and preservation of the public health, safety, welfare, and aesthetics of the community that the construction, location, size, conspicuity, brightness, legibility, operational characteristics, and maintenance of signs be controlled and regulated, based on the following findings:

(1) Exterior signs substantially impact the character and quality of the environment;

(2) Signs provide an important medium through which individuals may convey various messages;

(3) Signs can create safety hazards that threaten the public health, safety, or welfare. Such a safety threat is particularly great for signs that are structurally inadequate, or that may confuse or distract the travelling public, or that may interfere with official traffic, directional, or warning signs;

(4) Signs can also threaten the public welfare by creating aesthetic concerns connected to an accumulation of signs resulting in visual clutter, the spoiling of vistas or views, general harm to the physical environment, or an increase of commercialism in noncommercial areas;

(5) The ability to erect signs serving certain functions, such as an address sign or a sign announcing that the property on which it sits is for sale or lease or a sign used to indicate the availability of areas for public use, is an integral part of nearly every property owner's ability to

realize fundamental attributes of property ownership. The same cannot be said of signs serving other functions, such as off-premises advertising signs erected to be visible from public rights-of-way. Such signs are primarily designed to take advantage of an audience drawn to that location by the public's substantial investment in public rights-of-way and other public property; and

(6) The city's land use regulations have included the regulation of signs in an effort to foster adequate information and means of expression, and to promote the economic viability of the community, while protecting the city and its residents from a proliferation of signs of a type, size, location, and character that would adversely impact the physical environment of the community or threaten the health, safety, or welfare of the community. The appropriate regulation of the physical characteristics of signs in the city and other communities positively impacts the community's safety and appearance.

(b) Purposes and intent. The City Council intends by this sign code to establish a legal framework for sign regulation in the city. The regulations included in this sign code are intended to facilitate an easy and agreeable communication while protecting and promoting the public health, safety, welfare, and physical environment of the community. It is neither the purpose nor intent of this sign code to prefer or favor commercial messages or speech over noncommercial messages or speech or to discriminate between types of noncommercial speech or the ideas, subjects, messages, or viewpoints represented therein.

Therefore, the purposes of the sign regulations promulgated in this sign code are:

(1) To eliminate potential hazards to people using the public streets, sidewalks, and public right-of-way;

(2) To safeguard and enhance property values;

(3) To control nuisances;

(4) To protect government investments in public buildings, streets, sidewalks, traffic control and utility devices, parks, and open spaces;

(5) To preserve and improve the appearance of the city through adherence to aesthetic principles, to create a community that is attractive to people who come to live, visit, work or trade;

(6) To prevent excessive and confusing sign displays;

(7) To implement the city's Comprehensive Plan;

(8) To encourage signs that, by design, are integrated and harmonious with the surrounding environment and the buildings and sites they occupy;

(9) To recognize the constitutional right of residents, businesses, institutions, and other users to freedom of expression through signage by providing a fair, equitable, and predictable regulatory framework for signage; and

(10) To promote public health, safety, and general welfare.

§ 21.304.03 APPLICABILITY OF REGULATIONS.

(a) The requirements, conditions, prohibitions, and exceptions specified in this sign code apply to all signs and sign structures in all zoning districts within the city, unless exempted by § 21.304.10.

(b) No sign or sign structure, or part thereof, may be constructed, erected, converted, enlarged, extended, expanded, reconstructed, or relocated except in conformity with the regulations of this sign code.

§ 21.304.04 SUBSTITUTION.

The owner of any sign otherwise allowed by this sign code may substitute noncommercial speech in addition to or in place of any other commercial or noncommercial speech without any additional approval or permitting subject to the regulations set forth herein. The purpose of this provision is to prevent any inadvertent favoring of commercial speech or message over noncommercial speech or message. This provision prevails over any more specific provision to the contrary.

§ 21.304.05 SEVERABILITY.

(a) Subject to part (b), if any section, subsection, sentence, clause, phrase, or word of this sign code is for any reason held invalid, such decision shall not affect the validity of the remaining portions of this sign code. The City Council hereby declares that it would have adopted the sign code in each section, subsection, sentence, clause, phrase, or word thereof, irrespective of the fact that any one or more sections, subsections, sentences, clauses, phrases, or words be declared invalid.

(b) If one or more required findings for the approval of sign variance applications under § 21.304.24(h) is for any reason held invalid, or if one or more required findings for the approval of variance applications in § 2.85.04 is for any reason held invalid, then notwithstanding part (a), such invalidation shall cause § 21.304.24(h) as a whole to be invalid until amended, but shall not affect the validity of the remaining portions of the sign code. The City Council declares that, if one or more of its variance criteria are invalid, it would have adopted the standard or requirement from which a variance was sought without causing variances to become easier to obtain.

§ 21.304.06 CONSTRUCTION OF LANGUAGE.

The language of this sign code must be interpreted in accordance with the following regulations:

(a) The particular controls the general.

(b) In the case of any difference of meaning or implication between the text of this sign code and any illustration or diagram, the text controls.

(c) The word "shall" is always mandatory and not discretionary. The word "may" is permissive.

(d) Words used in the present tense include the future; and words used in the singular number include the plural, and the plural the singular, unless the context clearly indicates otherwise.

(e) A "building" or "structure" includes any part thereof.

(f) The phrase "used for" includes "arranged for," "designed for," "intended for," "maintained for" or "occupied for."

(g) Unless the context clearly indicates otherwise, where a regulation involves two or more items, conditions, provisions, or events connected by the conjunction "and," "or," or "either...or," the conjunction must be interpreted as follows:

(1) "And" indicates that all the connected items, conditions, provisions, or events must apply;

(2) "Or" indicates that the connected items, conditions, provisions, or events may apply singly or in any combination; and

(3) "Either...or" indicates that all the connected items, conditions, provisions, or events must apply singly but not in combination.

§ 21.304.07 DEFINITIONS.

When used in this sign code, the following words and terms shall have the following meanings, unless the context clearly indicates otherwise. Other words and terms not defined in this section may be defined in § 19.03.

A-FRAME SIGN. A double-faced temporary sign that is comprised of two sign boards attached at the top and separate at the bottom, not permanently attached to the ground.

ABANDONED SIGN. For a period of more than one year, a sign that does not have a sign face, a sign that has a sign face that is blank or illegible, a sign that refers to a use that no longer occupies the site or a portion thereof.

ACCESS DOOR SIGN. A sign placed on or near an accessory door, typically used to identify a secondary building access point.

ADVERTISING SIGN. A sign that displays commercial speech to direct attention to a business, profession, commodity, service, or entertainment for business purposes.

AWNING SIGN. A building sign or graphic printed on or attached directly to an awning. See § 21.304.27 for graphic illustrations of sign types.

BALLOON SIGN. A temporary sign consisting of a bag made of lightweight material supported by helium or hot or pressurized air, and greater than 24 inches in diameter. Inflatables are considered BALLOON SIGNS.

BANNER. Any temporary sign of lightweight fabric or similar material mounted to a pole or a building at one or more edges. Flags, as defined herein, shall not be considered BANNERS. See § 21.304.27 for graphic illustrations of sign types.

BILLBOARD. An outdoor, off-site advertising sign with a sign area greater than 150 square feet.

BUILDING MARKER. A small sign cut into building masonry or inlaid as part of a building's surface, typically used to identify the name of a building or date of its construction.

BUILDING SIGN. A sign attached to or supported by any structure used or intended for supporting or sheltering any use or occupancy.

CABINET SIGN. A sign that is not of channel construction.

CANOPY SIGN. A building sign or graphic printed on or in some fashion attached directly to a canopy. See § 21.304.27 for graphic illustrations of sign types.

CHANGEABLE COPY SIGN. A sign or portion thereof which has a readerboard for the display of text information in which each alphanumeric character, graphic or symbol is defined by objects, not consisting of an illumination device, and may be changed or re-arranged manually or mechanically with characters, letters or illustrations that can be changed or rearranged without altering the face or the surface of the sign.

CHANNEL CONSTRUCTION. Individually shaped three dimensional letters and symbols that are arranged to form a sign.

COMMERCIAL SPEECH. Any sign text, wording, logo, or other representation that directs attention to a business, profession, commodity, service, or entertainment for business purposes.

COMMERCIAL MERCHANDISE. A product in regular production that is sold in substantial quantities to the general public or industry at market prices.

COMPREHENSIVE SIGN PLAN. A sign criteria plan for a multi-tenant building to be established at the discretion of property owner(s) or their authorized representative(s), which may include the following components related to signage: height, location, size, number, construction type, and/or materials.

DEVELOPMENT SITE. Commercial property, industrial property, multi-family residential property, or a single-family residential property of six or more single-family residential lots.

DIRECTIONAL SIGN. A sign which serves solely to designate the direction of any place or area and is located on the same lot as said place or area. Examples include "entrance" and "exit" signs.

DWELL TIME. The time that elapses between changes in the text, images, or graphics on an electronic sign display.

DYNAMIC DISPLAY. Any characteristics of a sign that appear to have movement or change, caused by any method other than physically removing and replacing the sign face or sign structure, whether the apparent movement or change is in the display, the sign structure itself, or any other component of the sign. This includes ELECTRONIC SIGNS that incorporate a technology or method allowing the sign face to change the image without having to physically or mechanically replace the sign face or its components.

ELECTRONIC CHANGEABLE COPY SIGN. An ELECTRONIC SIGN whose display characteristics are consistent with those of a CHANGEABLE COPY SIGN.

ELECTRONIC GRAPHIC DISPLAY SIGN. An ELECTRONIC SIGN that displays static images, static graphics, or static pictures, with or without text information.

ELECTRONIC SIGN. Any type of electronic display board, electronic message board, digital, LED, programmable ink, or other sign capable of displaying words, pictures, symbols, or images, including, but not limited to, any electronic laser, digital, or projected images display, that can be changed electronically or manually by remote or automatic means.

ELEVATION. The view of the side, front or rear of a given structure.

ELEVATION AREA. The area of all walls that face any lot line.

ERECT. The activity of constructing, building, raising, assembling, placing, affixing, attaching, creating, painting, drawing or any other way of bringing into being or establishing.

EVENTS. Public or private occasions that attract gatherings of people, such as parades, concerts, festivals, open houses, races, circuses, fairs, athletic events, or celebrity appearances.

FLAG. Any fabric or similar lightweight material attached at one end of the material, usually to a staff or pole, to allow movement of the material by atmospheric changes.

FLAG, COMMERCIAL. A flag that displays commercial speech.

FLAG, NONCOMMERCIAL. A flag that is not a commercial flag.

FLASHING SIGN. A directly or indirectly illuminated sign or portion thereof that exhibits changing light or color effect by any means, to provide intermittent illumination that changes light intensity in sudden transitory bursts and creates the illusion of intermittent flashing light by streaming, graphic bursts showing movement or any mode of lighting which resembles zooming, twinkling, or sparkling.

FREESTANDING SIGN. A sign with supporting framework placed on, or anchored in, the ground and which is independent from any building or other structure.

FRONTAGE. The line of contact of a property with the public right-of-way.

GRADE. The final ground elevation after construction. Earth mounding criteria for landscaping and screening is not part of the grade for sign height computation. See § 21.304.27 for graphic illustrations.

GOVERNMENT SIGN. A sign that is constructed, placed, or maintained by the federal, state, or local government to carry out an official duty or responsibility, or a sign that is required to be constructed, placed, or maintained by a federal, state, or local government either directly or to enforce a property owner's rights. GOVERNMENT SIGNS do not include signs for events hosted by a government unless it is related to an official duty like voting.

GRAVE MARKER. A sign made of stone or masonry and located in a cemetery.

HISTORICAL OR LANDMARK MARKER. A sign constructed in close proximity to a historic place, object, building, or other landmark recognized by an official historical resources entity, where the sign is constructed by or on behalf of the owner of the historic property.

HOME-BASED SALE. The sale of handmade goods by one or more persons made by a person residing at the premises of the sale, or the sale of personal goods no longer needed by one or more persons, which must include the sale of personal goods of a person residing at or formerly residing at the premises of the sale. HOME-BASED SALES do not include the sale of commercial merchandise.

IDENTIFICATION SIGN. A sign intended to announce or promote the use, activity, service, or business on the same lot or site.

ILLUMINATED SIGN. A sign which contains an internal element designed to emanate artificial light, or a sign that is illuminated by an external source of artificial light.

INCIDENTAL SIGN. A sign that has a purpose secondary to the use of the lot on which it is located, such as "telephone," "cash machine," "air" and other similar directives. See also DIRECTIONAL SIGN.

INTERIOR SIGN. A sign erected and maintained inside of a building and not visible outside of the building, including, but not limited to a sign attached to or painted on the inside of windows.

LIGHT POLE SIGN. A sign mounted on arms affixed to a light or other decorative pole commonly used to enhance campus identity and visual character.

LEGALLY ESTABLISHED NONCONFORMING SIGN. A nonconforming sign or sign structure lawfully erected prior to the effective date of a city code amendment causing the sign to be a nonconforming sign.

LOGO. A graphic depiction of any brand name, trademark, distinctive symbol or other similar device or thing, typically used to identify a particular business, institution, activity, place, person, product, or service.

MONUMENT SIGN. A freestanding sign with its sign face mounted on the ground or mounted on a base that is at minimum 75 percent as wide as the sign it supports. See § 21.304.27 for graphic illustrations of sign types.

MULTI-TENANT SITE. Any site which has more than one tenant, and each tenant has a separate ground level exterior public entrance.

MULTI-UNIT SITE. Any site that has more than one unit for a tenant or owner, each of which is approved for separate human occupation.

NEIGHBORHOOD SIGN. A monument sign located near the entrance to a residential subdivision, typically used to identify the name of the residential subdivision.

NONCOMMERCIAL SPEECH. Speech that is not COMMERCIAL SPEECH.

NONCONFORMING SIGN. A sign that does not comply with this sign code.

OFF-SITE ADVERTISING SIGN. An advertising sign used to identify a product, service, brand, business or activity not regularly sold, located, or conducted on the site where the sign is located.

ON-SITE ADVERTISING SIGN. An advertising sign used to identify a product, service, brand, business, or activity sold, located, or conducted on the site where the sign is located. A sponsorship agreement does not qualify a sign as an on-site sign.

OPAQUE SIGN FACE. The nontransparent face for an internally illuminated sign. Illumination shall be emitted only for the name, trademark, logo, distinctive symbol or other similar device, thing or text used to identify a particular business, institution, activity, place, person, product, or service.

PARAPET (WALL). The portion of the building wall that rises above the roof level.

PERMANENT SIGN. A non-temporary sign designed and intended for long-term use.

PORTABLE SIGN. A sign which is manifestly designed to be transported, including by trailer or on its wheels, even though the wheels of such sign may be removed, and the remaining chassis or support is converted to another sign or attached temporarily or permanently to the ground since this characteristic is based on the design of such a sign. Banners attached to a building, a permanent sign, a permanent sign pole, or a pole mounted in the ground are not PORTABLE SIGNS. A-FRAME SIGNS are not PORTABLE SIGNS if anchored into the ground.

PROJECTING SIGN. A sign affixed to a building or wall in such a manner that its leading edge extends more than two feet beyond the surface or such building or wall face. See § 21.304.27 for graphic illustrations of sign types.

PUBLIC BUILDING. A nonresidential building owned by any governmental agency, which is primarily used for public or governmental purposes.

PUBLIC SIGN. A sign erected, constructed, or placed within the public right-of-way or on public property by or with the approval of the governmental agency having authority over, control of, or ownership of the right-of-way or public property.

PUBLIC UTILITY SIGN. A sign constructed or placed by a public utility on or adjacent to a pole, pipe, or distribution facility of the utility and within the public right-of-way or utility easement.

PUMP ISLAND SIGN. A sign either affixed directly to a gasoline pump or otherwise attached to the pump or pump island.

PYLON SIGN. A freestanding sign which has its supportive structure(s) anchored in the ground and which has a sign face elevated above ground level by pole(s) or beam(s) and with the area below the sign face open. See § 21.304.27 for graphic illustrations of sign types.

PYROTECHNICS. Fireworks or similar devices that ignite a combustible substance or produce an explosion.

REAL ESTATE SALE. The act of holding real property or any portion thereof, including dwelling units located thereon, out for sale or lease.

ROOF. The exterior surface and its supporting structure on the top of a building or structure. The structural make-up of which conforms to the roof structures, roof construction and roof covering sections of the Minnesota State Building Code.

ROOF LINE. The upper-most edge of the roof or, in the case of an extended facade or parapet, the upper-most height of said facade.

ROOF SIGN. A sign erected and constructed wholly on and above the roof of a building, supported by the roof structure, and extending vertically above the highest portion of the roof. See § 21.304.27 for graphic illustrations of sign types. Individual letters mounted on canopies are considered ROOF SIGNS only if they extend above the uppermost roof of the principal building served by the canopy.

ROOF SIGN, INTEGRAL. A building sign erected or constructed as an integral or essentially integral part of a normal roof structure of any design, so that no part of the sign extends vertically above the highest portion of the roof and so that no part of the sign is separated from the rest of the roof by a space of more than six inches. See § 21.304.27 for graphic illustrations of sign types.

ROTATING SIGN. A sign or portion of a sign which in any physical part or in total turns about on an axis, rotates, revolves or is otherwise in motion, including without limitation a multi-vision sign.

SERVICE AREA CANOPY. Any structural protective cover that is not enclosed on any of its four sides and is provided for the service area designated for the dispensing or installation of gasoline, oil, antifreeze, headlights, wiper blades and other similar products and the performance of minor services for customers as related to said dispensing or installation.

SERVICE AREA CANOPY SIGN. A sign that is part of or attached to the service area canopy. See § 21.304.27 for graphic illustrations of sign types.

SHIMMERING SIGNS. A sign that reflects an oscillating or distorted visual image.

SIGN. A display, illustration, structure, or device with a visual display designed to identify, announce, direct, or inform. The scope of the term "sign" does not depend on the content of the message, the ideas expressed, or the image being conveyed.

SIGN FACE. The surface of the sign upon, against or through which the sign's message is exhibited.

SIGN HEIGHT. Computed as the vertical distance measured from the base of the sign at natural grade to the top of the highest attached component of the sign. See § 21.304.08(d) for graphic illustration.

SIGN STRUCTURE. Any structure, including the supports, uprights, bracing and framework which supports a sign.

STRINGER. A line of string, rope, cording or an equivalent to which is attached a number of pennants.

SUSPENDED SIGN. A building sign that is suspended from the underside of a horizontal plane surface and is connected to this surface. See § 21.304.27 for graphic illustrations of sign types.

TEMPORARY SIGN. A sign or sign structure that is not permanently affixed or installed and is intended to be displayed for a limited time period only.

TOTAL SITE SIGNAGE. The maximum permitted combined area of all freestanding and building signs allowed on a specific property.

TRAFFIC CONTROL DEVICE. A sign or flagger, signal, marking, or other device used to regulate, warn or guide traffic, placed on, over, or adjacent to a street, highway, private road open to public travel, pedestrian facility, or shared-use path by authority of a public agency or official having jurisdiction, or, in the case of a private road open to public travel, by authority of the private owner or private official having jurisdiction.

UNLAWFUL SIGN. A sign not erected in conformance with this sign code, or a sign that does not conform to the regulations of this sign code and is not a legally established nonconforming sign.

VEHICLE SIGN. Any sign painted, placed on, attached or affixed to a trailer, watercraft, truck, automobile, or other form of motor vehicle so parked or placed so that the sign thereon is discernable from a public street or right-of-way as a means of communication and which by its location, size and manner of display is reasonably calculated to exhibit commercial speech identifying an on-site business or supplying directional information to an off-site business. A VEHICLE SIGN may be so defined when on a vehicle that functions primarily as a sign rather than as a transportation device, as determined by consideration of any combination of the following factors:

(A) The absence of a current, lawful license plate affixed to the vehicle on which the sign is displayed;

(B) The vehicle on which the sign is displayed is inoperable as defined by this city code;

(C) The vehicle on which the sign is displayed is not parked in a lawful or authorized location or is on blocks or other supports or is parked in a manner that is not in conformity with the identified parking space on the lot;

(D) The vehicle on which the sign is displayed is not regularly used for transportation associated with the use it advertises;

(E) The vehicle remains parked on the premises after normal business hours when customers and employees are not normally present on the premises; or

(F) The vehicle remains parked in the same vicinity on the property in a location which maximizes its visibility from the public street or right-of-way on a regular basis.

VIDEO SIGN. A sign that displays its contents in both a horizontal and vertical format (as opposed to linear), through the use of pixel and sub-pixel technology, having the capacity to create continuously changing sign copy in a full spectrum of colors and light intensities. A VIDEO SIGN is not an ELECTRONIC SIGN. VIDEO SIGNS include projected images or messages with these characteristics onto buildings or other objects.

VISIBLE. Capable of being seen by a person of what is commonly described as 20/20 or 'normal visual acuity' (whether legible or not) without visual aid.

WALL. Any structure that defines the exterior boundaries or courts of a building or structure has a slope of 60 degrees or greater with the horizontal plane.

WALL GRAPHIC. A graphic image attached to an exterior building wall or window that displays static images with no more than 25% of the graphic area comprised of text or logos. WALL GRAPHICS may be illuminated internally or externally but are not electronic signs.

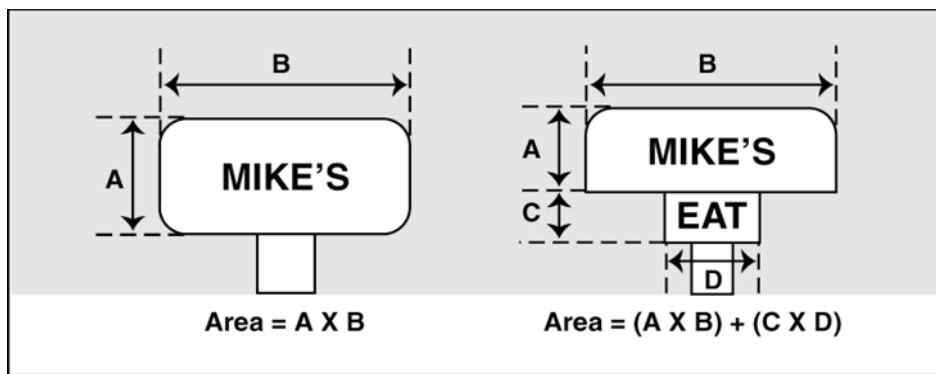
WALL SIGN. Any building sign attached parallel to, but within two feet of a wall, painted on the wall surface of, or erected and confined within the limits of an outside wall of any building or structure, which is supported by such wall or building, and which displays only one sign surface. See § 21.304.27 for graphic illustrations of sign types.

WINDOW SIGN. A building sign or pictures, symbols, or a combination thereof, placed inside a window or upon the window glass or door (including garage doors) and be primarily visible from the building or structure's exterior.

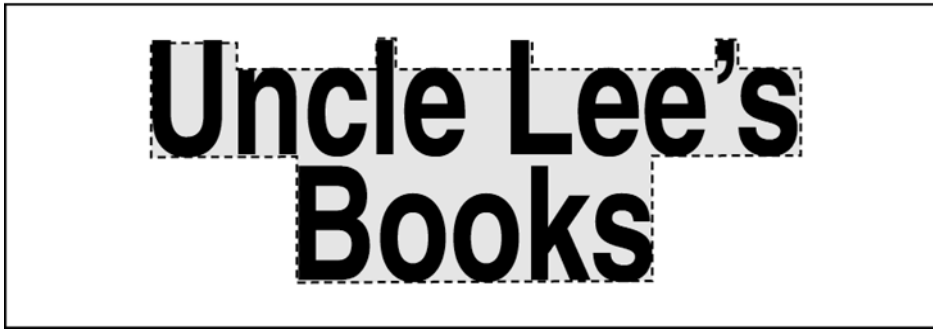
§ 21.304.08 COMPUTATIONS.

(a) Computation of sign surface area of signs. To compute the area for a sign face, compute by means of the smallest square, circle, rectangle, triangle or combination thereof that will encompass the extreme limits of the copy, representation, emblem or other display, together with any material or color forming an integral part of the background of the display or used to differentiate the sign from the backdrop or structure against which it is placed, but not including any supporting framework, bracing or decorative fence or wall when such fence or wall otherwise meets zoning ordinance regulations and is clearly incidental to the display itself. See the following graphic illustrations:

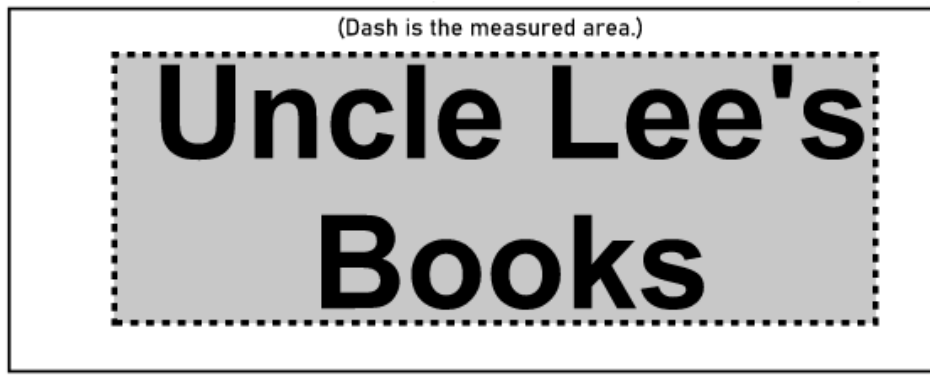
(1) Computation of sign surface area of individual cabinet or panel signs.



(2) Computation of sign surface area of individual signs of channel construction.



(3) Computation of sign surface area of individual letters mounted on a backer panel.



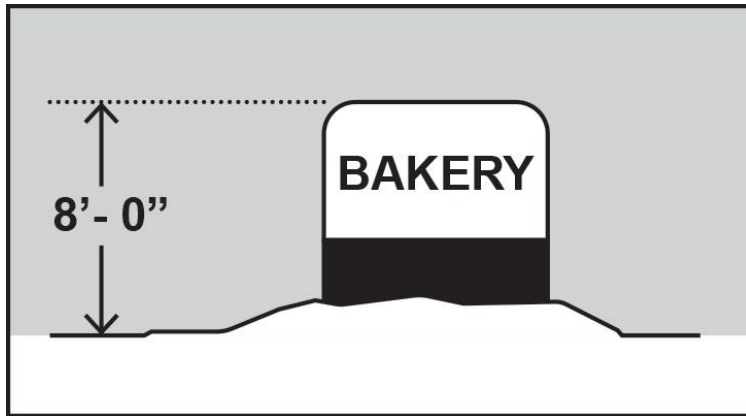
(b) Computation of sign surface area of multifaceted signs. The sign surface area for a sign with more than one face is computed by adding together the sign surface area of all sign faces visible from any one point. When two identical sign faces are placed back-to-back, or at an angle no greater than 15 degrees from one another, so that both faces cannot be viewed from any point at once, and when such sign faces are part of the same sign structure and are not more than 48 inches apart, the sign surface area is computed by the measurement of one of the faces.

(c) Computation of sign surface area of awning or canopy signs. The area for an awning or canopy sign is computed by means of the smallest square, circle, rectangle, or combination thereof that will encompass the extreme limits of the copy, representation, emblem, or other display, together with any material or color forming an integral part of the background of the display or used to differentiate the sign from the backdrop. The entire awning or canopy face is not considered to be an integral part of the background, as shown in this graphic illustration:

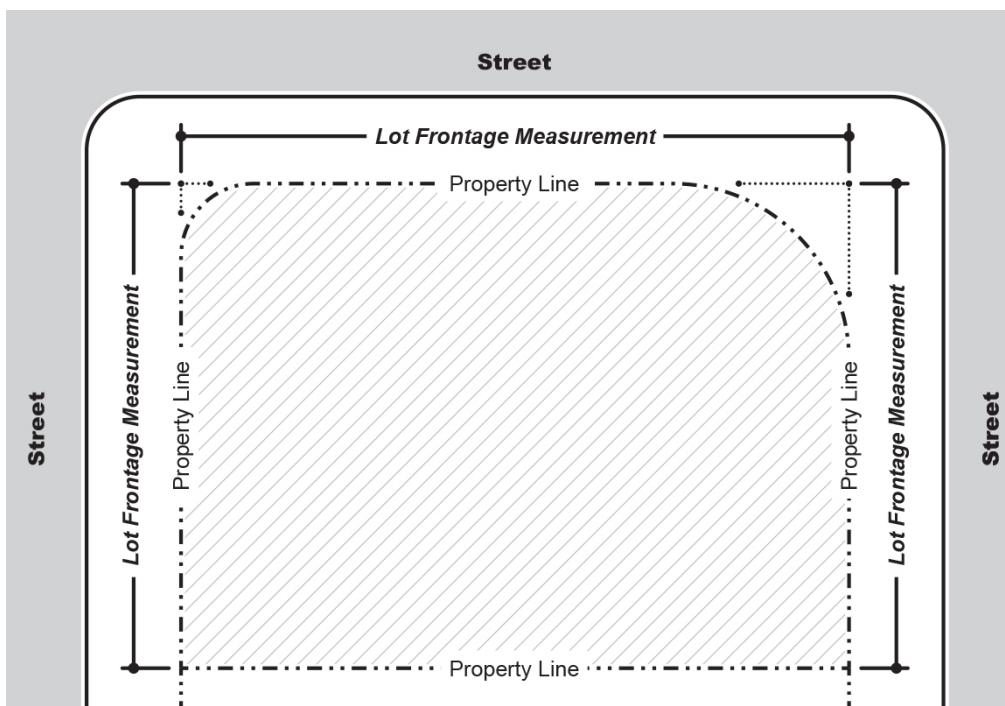


(d) Sign height. The height of the sign is computed as the distance from the base of the sign or sign structure at grade to the top of the highest attached component of the sign. Earth mounding inconsistent with the final grade of the land surrounding the sign structure that

increases the elevation of the sign is included in the measurement of the sign height, as shown in this graphic illustration:



(e) Lot frontage measurement. For the purposes of determining allowances for freestanding signage, lot frontage for lot lines along a street that do not meet at a 90-degree angle or meet along a curve will be calculated as if they extended to a natural point of intersection at a 90-degree angle, as shown in this graphic illustration:



§21.304.09 GENERAL REQUIREMENTS.

(a) Consent of property owner.

(1) No person may erect, place, use or permit the use of any permanent sign or sign structure on private or public property without the property owner or authorized representative's written consent.

(2) No person may construct, erect, place, use, or permit the use of any temporary sign on private or public property without the property owner or authorized representative's written consent.

(b) Required permits. Any sign not exempted from the requirements of obtaining a sign permit by § 21.304.12 must obtain a sign permit pursuant to § 14.553 and § 14.554.

(c) Sites with unlawful signs. No person may erect or construct a sign on a site that contains unlawful signs.

(d) Signs not to be a traffic hazard. No sign that obstructs clear vision of persons using the streets, or may be confused with any traffic control sign, signal, or device may be installed.

(e) Pedestrian clearance. Any sign which projects over a sidewalk or other pedestrian way must have a minimum clearance of eight feet above ground level.

§ 21.304.10 EXEMPT SIGNS.

The following signs are exempt from the regulations of this sign code:

(a) Building address numbers as required in Chapter 17 of the city code.

(b) Grave markers.

(b) Interior signs.

(c) Temporary decorations, rope lights, string lights, or mini-lights.

§ 21.304.11 PROHIBITED SIGNS.

(a) Findings. The City Council makes the following findings regarding the need to prohibit certain signs in all zoning districts:

(1) The placement and accumulation of temporary and permanent signs in public rights-of-way, on traffic and utility devices, and upon the public sidewalks or sidewalk easements can present dangerous conditions to free and safe pedestrian and vehicular traffic flow. Such areas should be reserved for government signs, public signs, public utility signs, and traffic control devices to ensure safe traffic flow;

(2) The accumulation of signs on publicly-owned property and buildings present an intrusion and blight on public property that interferes with and diminishes the purpose for which the public space has been reserved and disrupts the aesthetic qualities of such property;

(3) The placement and accumulation of signs on such natural features as trees, shrubs and rocks degrade the aesthetic qualities of such features;

(4) The experience of this and surrounding communities establishes the unsightly visual clutter caused by portable signs. Such portable signs also present unique safety problems. Their lightweight design and common placement along streets and sidewalks present hazards to the safe use of public streets and sidewalks;

(5) Large, temporary, and permanent balloon signs on buildings, roofs and sites present unique aesthetic concerns to the community. The experience of this city in allowing such large balloon signs temporarily in the past is that it has not achieved the aesthetic goals of the City Council. The balloons have been commonly thought to be obtrusive and have resulted in commercial enterprises exceeding the prescribed signage limits of this sign code; and

(6) The installation and maintenance of roof signs can negatively affect roofing materials. Roof signs may also be unwarranted and unsightly additions to the overall clutter of streets and thoroughfares.

(b) Prohibited signs. The following signs are prohibited in all sign districts:

(1) Signs or sign structures, whether temporary or permanent, placed on or within the public right-of-way, except for government signs, public signs, public utility signs, or traffic control devices, unless expressly permitted in this sign code.

(2) Signs or sign structures placed upon any public lighting system, public bridge, public drinking fountain, public emergency response or safety equipment, traffic control device, utility apparatus, public retaining or noise-barrier wall, or public fence, unless the sign is a government sign, public sign, or public utility sign.

(3) Signs or sign structures that prevent a person operating a vehicle from having a clear and unobstructed view of any official traffic control device or approaching or merging traffic.

(4) Signs or sign structures that attempt or appear to attempt to direct the movement of traffic, or which imitate, resemble, or interfere with or obstruct the view of a traffic control device.

(5) Signs that display any rotating beam, beacon or flashing illumination resembling any emergency light, unless the sign is a government sign, public sign, public utility sign, or traffic control device.

(6) Signs or sign structures greater than three feet in height and located in the clear view triangle area, as defined by § 19.03, or otherwise located in such a manner as to materially impede the view of any street or highway intersection or in such a manner as to materially impede the view of the intersection of a street or highway with a railroad crossing.

(7) Signs or sign structures located in a manner that could impede traffic on any street, alley, sidewalk, bikeway, trail, or other pedestrian or vehicular travel way.

(8) Signs painted on, attached to, or maintained upon trees, shrubs, rocks, or other natural features.

(9) Signs that fluctuate in light intensity or use intermittent, strobe, or moving lights that do not fall under the definition of video signs, electronic changeable copy signs, or electronic graphic display signs.

(10) Abandoned signs.

(11) Balloon signs.

(12) Flashing signs.

(13) Off-site advertising signs, unless expressly allowed by this sign code.

(14) Roof signs.

(15) Shimmering signs.

(16) Rotating signs.

(17) Portable signs, unless expressly allowed by this sign code.

(18) Vehicle signs.

(19) Unlawful signs.

(c) Any sign erected that is not identified as a permitted sign by this sign code or any sign located in a sign district where the sign is not permitted by this sign code is prohibited.

§ 21.304.12 REGULATED SIGNS EXEMPT FROM OBTAINING A PERMIT.

(a) The City Council finds that allocating public funds and staff resources to those signs that present the most public safety and aesthetic problems will better achieve the overall purposes of this sign code. Requiring a permit for every type of sign in the city would unduly tax staff resources, thus diluting the overall enforcement of this sign code. Therefore, the City Council finds that the following sign types shall be regulated pursuant to this sign code but shall be exempt from the requirement of obtaining a sign permit and from the payment of a permit fee, provided the sign meets all other applicable requirements of this sign code. These exemptions do not override any more restrictive terms in contracts or leases between owners and tenants or between common-interest communities and owners, tenants, members, or occupants.

(1) Access door signs. One sign, two square feet or less in area, is allowed per door.

(2) Balloons 24 inches or less in diameter.

(3) Flags:

(A) Noncommercial flags. Up to three noncommercial flags are allowed per lot or site. Additional noncommercial flags are allowed at a rate of three flags per acre in lot or site area above one acre rounded down to the nearest acre.

(B) Commercial Flags. Two commercial flags per site, provided:

(i) The lot or site must be at least three acres (130,680 square feet) in area to have commercial flags; and

(ii) Each commercial flag must not exceed 25 square feet each in area.

(C) Flagpoles. Flagpoles must be no taller than 12 feet above the highest outside wall of the tallest building on the lot or site, maintain a side and rear yard setback not less than the height of the flagpole, and be setback a minimum of 15 feet from any public right-of-way.

(D) Illumination. Flags may be illuminated by a light source placed below the flag, providing all flag lighting complies with § 21.301.07.

(4) Temporary signs exempt from permit requirement by § 21.304.13(b).

(5) Government signs.

(6) Handheld signs held or located outside of the public right-of-way.

(7) Historical or landmark markers, up to a maximum of 20 square feet in area.

(8) Public signs.

(9) Public utility signs.

(10) Signs that exclusively express noncommercial speech, subject to the following:

(A) Residential lots or sites. Residential lots or sites are allowed a maximum number of three signs per lot or site, except that one unit in a multi-unit site is also allowed that number of signs. Each sign may be a maximum of six square feet in area and a maximum height of four feet.

(B) Nonresidential lots or sites. Nonresidential lots or sites are allowed a maximum number of three signs per lot or site. Each sign may be a maximum of six square feet in area and a maximum of four feet in height.

(C) Election period exemption. Notwithstanding any provision of this sign code, noncommercial signs of any size in any number may be posted as follows:

(i) For state general election years, beginning 46 days prior to the state primary date, until ten days following the state general election.

(ii) For years other than state general election years in which elections (including any primaries or votes on ballot questions) are scheduled, beginning 46 days prior to the election or until ten days following the election date.

(iii) At all other times, the provisions of this sign code regulate the size and number of noncommercial signs.

(11) Traffic control devices.

(12) *Directional and incidental signs.* Direction and incidental signs are exempt from the permit requirement, subject to the following:

(A) *Size.* Signs may not exceed eight square feet when freestanding and 12 square feet when mounted on a building.

(B) *Height.* Signs may not exceed six feet in height when freestanding and 12 feet in height when mounted on a building.

(C) *Location.* Freestanding signs must be setback a minimum of ten feet from public streets or right-of-way and five feet from side and rear lot lines.

(D) *Identification.* Business, project, or site identification as part of a directional or incidental sign must not exceed one square-foot.

(13) Window signs consistent with the standards specified in § 21.304.17.

(14) One sign, not exceeding one and one-half square feet in area, for each residential building, located at least ten feet from any public right-of-way. This type of sign is typically used as a residential name plate or to identify a home business.

(15) Signs located within a sports stadium or athletic field, or other outdoor assembly area which are intended for viewing by persons within the facility. The signs must be placed to be oriented towards the interior of the facility and the viewing stands.

(16) Signs displayed on a bus or light rail vehicle owned by a public transit agency.

(17) Signs not visible from the public right-of-way or private streets.

(18) One sign, not exceeding one square foot in total sign area, located at least ten feet from any public right-of-way. This type of sign is typically used as a sign to announce a home security system or feature.

(19) Pump island signs up to a maximum of two square feet in area.

§ 21.304.13 TEMPORARY SIGNS.

(a) *General regulations.* Temporary signs may be erected and maintained in the city only in compliance with this sign code, and with the following additional provisions:

(1) *Hazard.* No temporary sign shall be erected or maintained which constitutes a hazard to the public, by reason of its size, location, or construction.

(2) *Installation and attachment.* A temporary sign must be installed on the site or attached and constructed in a manner that both prevents the sign from being blown from its location and allows for the easy removal of the sign by authorized persons.

(3) Illumination. Temporary signs may not be illuminated, except when otherwise illuminated by permanent approved site lighting compliant with § 21.301.07 or for the following temporary sign types:

(A) Noncommercial speech sign for events.

(b) Temporary signs exempt from permit requirement. The following temporary signs shall be allowed on a lot or site without a permit, provided the temporary sign meets the following standards and all other applicable requirements of this sign code:

<u>Temporary Sign Type</u>	<u>Maximum Number</u>	<u>Minimum Setbacks</u>		<u>Maximum Height</u> (when freestanding)	<u>Maximum Area</u>	<u>Maximum Duration</u>
		<u>Along Public Streets</u>	<u>Side or Rear Yard</u>			
<u>Noncommercial speech sign</u> (including for announcements of exhibits/awards and at places of assembly, schools, parks, or other public buildings)						
<u>On Site¹</u>	<u>N/A</u>	<u>15 feet</u>	<u>5 feet</u>	<u>8 feet</u>	<u>64 sq. ft. per street frontage</u>	<u>60 days per year, not to exceed 12 occasions per site</u>
<u>Off-Site²</u>	<u>N/A</u>	<u>15 feet</u>	<u>5 feet</u>	<u>3 feet</u>	<u>12 sq. ft. per street frontage</u>	<u>4 occasions per year and 14 days per occasion</u>
<u>Sign during construction on a development site</u>	<u>N/A</u>	<u>15 feet³</u>	<u>5 feet</u>	<u>8 feet</u>	<u>32 sq. ft. per street frontage for residential districts and 64 sq. ft. per street frontage for other districts</u>	<u>May be erected upon issuance of building permit and must be removed 10 days after issuance of temporary or permanent certificate of occupancy</u>
<u>Sign during home construction or improvement</u>	<u>1</u>	<u>10 feet</u>	<u>5 feet</u>	<u>4 feet</u>	<u>6 sq. ft.</u>	<u>Must be removed upon approval of final inspection or when project is substantially complete, but in no event longer than 90 days from start of construction</u>

<u>Sign during home-based sales⁴ (On or Off-Site)</u>	<u>2 per street frontage, up to maximum of 4 total signs</u>	<u>5 feet</u>	<u>5 feet</u>	<u>3 feet</u>	<u>6 sq. ft.</u>	<u>7 days per home-based sale</u>
<u>Sign during real estate sales (single or two-family residential)</u>						
<u>On-Site</u>	<u>1 per street frontage, up to maximum of 2</u>	<u>10 feet</u>	<u>5 feet</u>	<u>6 feet</u>	<u>10 sq. ft.</u>	<u>Must be removed no later than 7 days after a property sale closing or when dwelling units are no longer for lease</u>
<u>Off-Site⁵</u>	<u>2 per street frontage, up to maximum of 4</u>	<u>5 feet</u>	<u>5 feet</u>	<u>3 feet</u>	<u>6 sq. ft.</u>	<u>Must be removed once the sales agent is no longer present on the lot subject to the real estate sale</u>
<u>Sign during real estate sales (all other uses)</u>	<u>1 per street frontage</u>	<u>15 feet</u>	<u>5 feet</u>	<u>8 feet⁶</u>	<u>16 sq. ft. or 32 sq. ft. when adjacent to I-35W, I-494, and TH-77</u>	<u>Must be removed 7 days after site sale closing or when dwelling units or tenant space is no longer for lease on the site</u>
<u>Sign for a new multi-family residential (building sign only)</u>	<u>1 per street frontage</u>	<u>N/A</u>	<u>N/A</u>	<u>N/A⁷</u>	<u>64 sq. ft.</u>	<u>Must be removed within two years after the issuance of a certificate of occupancy for the new building</u>
<u>Sign on property with commercial or industrial uses presenting employment opportunities</u>	<u>1 per street frontage</u>	<u>15 feet</u>	<u>5 feet</u>	<u>6 feet</u>	<u>16 sq. ft. when freestanding or 64 sq. ft. when on a building</u>	<u>Must be removed when employment opportunities are no longer available</u>

<u>Sign on undeveloped site after approval of future development granted by City Council, Planning Commission, or Planning Manager (development sites only)</u>	<u>1 per street frontage</u>	<u>15 feet</u>	<u>5 feet</u>	<u>6 feet in residential districts and 15 feet in all other districts</u>	<u>32 sq. ft. or 64 sq. ft. when adjacent to I-35W, I-494, and TH-77</u>	<u>May be erected on the date of development approval and must be removed 10 days after the issuance of the first temporary or permanent certificate of occupancy</u>
---	------------------------------	----------------	---------------	---	--	---

Signs for farmers market or arts and crafts festivals

<u>On-site</u>	<u>2 per street frontage</u>	<u>5 feet</u>	<u>5 feet</u>	<u>8 feet</u>	<u>64 sq. ft. per street frontage</u>	<u>May be erected 24 hours prior to operation and must be removed within 3 hours after closure</u>
<u>On-site vendor sign (located in vendor area)</u>	<u>1 sign per vendor</u>	<u>5 feet</u>	<u>5 feet</u>	<u>4 feet</u>	<u>20 sq. ft.</u>	
<u>Off-site⁸</u>	<u>2 per street frontage up to a maximum of 4</u>	<u>5 feet</u>	<u>5 feet</u>	<u>3 feet</u>	<u>6 sq. ft.</u>	

Table Notes

- 1) One unit in multi-unit sites is also allowed a maximum of 64 square feet of signage per street frontage.
- 2) Off-site temporary noncommercial speech signs for events may only be erected with the permission of the property owner or tenant.
- 3) A temporary sign during construction on a development site that is attached to an approved construction fence is exempt from the required setback along a public street, but must not be located in the public right-of-way.
- 4) Any temporary sign for a home-based sale that is installed off-site may only be erected with the permission of the property owner.
- 5) Off-site temporary signs for real estate sales may only be erected with the permission of the property owner and while a sales agent is present on the lot subject to the real estate sale.
- 6) A temporary sign for real estate sales for all uses other than single and two-family residential uses that is otherwise compliant with this section may be attached to an existing freestanding sign located on the site that is for sale or lease.
- 7) A temporary sign for a new multi-family residential use must be attached to the building. Freestanding signs are not permitted for this temporary sign type.
- 8) Off-site signs for a farmers market or arts and crafts festival may only be erected with the permission of the property owner.

(c) Temporary signs during commercial promotions; permit required. The City Council finds that many businesses have temporary promotions during the year that last for a limited time, and that businesses typically use temporary signage to communicate these temporary

promotions to the public. The City Council further finds that, if left entirely unregulated, signs posted during temporary promotions could remain in place indefinitely or perform functions better performed by permanent signage. The following regulations have been formulated to address the need for temporary signs in connection with temporary commercial promotions. All temporary signage regulated by this subsection is subject to the sign permit requirement of § 14.553.

(1) On-site. On-site temporary signs for commercial promotions, including but not limited to banners, freestanding signs, and A-Frame signs, are allowed, subject to the following standards:

<u>Number of Building Tenants</u>	<u>Maximum Number</u>	<u>Minimum Setbacks</u>		<u>Maximum Height</u> (when freestanding)	<u>Maximum Area</u>	<u>Maximum Duration</u>
		<u>Along Public Streets</u>	<u>Side or Rear Yard</u>			
<u>1</u>	<u>1 per street frontage</u>					<u>60 days per calendar year</u>
<u>2-15</u>	<u>2 freestanding signs per street frontage per site and 1 building sign per tenant</u>					<u>90 days per calendar year, with no individual tenant exceeding 60 days per calendar year</u>
<u>16-29</u>	<u>2 freestanding signs per street frontage per site and 1 building sign per tenant</u>	<u>15 feet</u>	<u>5 feet</u>	<u>8 feet</u>	<u>64 sq. ft. per street frontage when freestanding or 64 sq. ft. per tenant when on a building</u>	<u>180 days per calendar year, with no individual tenant exceeding 60 days per calendar year</u>
<u>30 or more</u>	<u>2 freestanding signs per street frontage per site and 1 building sign per tenant</u>					<u>240 days per calendar year, with no individual tenant exceeding 60 days per calendar year</u>

(2) Off-site. Off-site temporary signs for temporary commercial promotions are not permitted.

§ 21.304.14 ESTABLISHMENT OF SIGN DISTRICTS.

General allowances for commercial signage are assigned by sign district. All properties in Bloomington are assigned to a sign district based upon the base zoning designation of the property as shown in the following table:

<u>Sign Districts</u>	<u>Zoning Districts</u>
<u>Class I Sign District</u>	<u>R-1 Single-Family Residential District</u> <u>RS-1 Large Lot Single-Family Residential District</u> <u>R1-A Restricted Large Lot Single-Family Residential District</u> <u>SC Conservation District</u>
<u>Class II Sign District</u>	<u>R-3 Townhouse Residential District</u> <u>R-4 Multiple-Family Residential District</u> <u>RM-12 Multiple-Family Residential District</u> <u>RM-24 Multiple-Family Residential District</u> <u>RM-50 Multiple-Family Residential District</u> <u>RM-100 Multiple-Family Residential District</u> <u>RO-24 Residential Office District</u> <u>B-1 Neighborhood Office District</u> <u>I-1 Industrial Park District</u>
<u>Class III Sign District</u>	<u>B-2 General Commercial District</u> <u>C-1 Freeway Office and Service District</u> <u>C-2 Freeway Commercial District</u> <u>C-3 Freeway Commercial Center District</u> <u>C-4 Freeway Office District</u> <u>CR-1 Regional Commercial District</u> <u>CO-1 Commercial Office District</u> <u>CS-0.5 Commercial Service District</u> <u>CS-1 Commercial Service District</u> <u>I-2 Limited Industry District</u> <u>I-3 General Industry District</u> <u>IP Industrial Park District</u> <u>FD-2 Freeway Development District</u> <u>IT Innovation and Technology District</u>
<u>Class IV Sign District</u>	<u>CX-2 Mixed Use District</u>
<u>Class V Sign District</u>	<u>HX-R High Intensity Mixed Use with Residential District</u> <u>B-4 Neighborhood Commercial Center District</u> <u>C-5 Freeway Mixed Use District</u> <u>LX Lindau Mixed Use District</u> <u>TI Transitional Industrial District</u>

§21.304.15 SIGN TYPES ALLOWED BY SIGN DISTRICT.

(a) Purpose. The sign type allowance table in this section depicts the types of permanent signs allowed within each sign district.

(b) Table key. The following labeling conventions apply to the sign type allowance table in this section.

(1) Sign definitions. Sign types are defined in § 21.304.07.

(2) Permitted signs. Signs identified in the sign district column with the letter “P” are allowed as permitted signs in the respective sign district.

(3) Prohibited signs. Signs not associated with a letter in the sign district are prohibited in that respective sign district.

(4) Standards. For ease of reference, sign types for which specific standards apply include a table reference to the applicable code section.

(c) Signs allowed by sign district

<u>Sign Types</u>	<u>Sign Districts</u>					<u>Sign Type Standards</u>
	<u>Class I</u>	<u>Class II</u>	<u>Class III</u>	<u>Class IV</u>	<u>Class V</u>	
<u>Freestanding Signs</u>						<u>§ 21.304.16</u>
<u>Monument Signs</u>	P	P	P	P	P	
<u>Pylon Signs</u>			P ¹			
<u>Menu Boards</u>			P		P	
<u>Light Pole Sign</u>	P ²					
<u>Directional/Incidental Signs</u>	P	P	P	P	P	
<u>Building Signs</u>						<u>§ 21.304.17</u>
<u>Wall Signs</u>	P	P	P	P	P	
<u>Projecting Signs</u>	P	P	P	P	P	
<u>Suspended Signs</u>	P	P	P	P	P	
<u>Awning Signs</u>	P	P	P	P	P	
<u>Canopy Signs</u>	P	P	P	P	P	
<u>Service Area Canopy Signs</u>		P ³	P			
<u>Window Signs⁴</u>	P ⁴	P ⁴	P ⁴	P ⁴	P ⁴	
<u>Wall Graphic</u>				P		
<u>Directional/Incidental Signs</u>	P	P	P	P	P	

Table Notes:

- 1) Pylon signs are prohibited in the I-2, IP, and IT zoning districts.
- 2) Light pole signs are permitted at college campuses and schools (K-12) only.
- 3) Service area canopy signs are permitted in the I-1 zoning district only.
- 4) Window signs are allowed for retail uses only within a ground-level window.

§21.304.16 FREESTANDING SIGNS.

(a) Applicability. Regulations for freestanding permanent signs are applicable to monument, pylon, incidental, and directional signs as defined in § 21.304.07.

(b) General freestanding sign standards.

(1) Prohibitions.

(A) Clear view triangle. No sign or sign structure taller than three feet in height may be located within a clear view triangle area as defined in § 19.03.

(B) Encroachment into public easements. No freestanding sign may encroach into or be located within a public easement of record without written approval from the Director of Public Works.

(2) Foundation permit. A freestanding sign may require a separate foundation permit when required by the Minnesota State Building Code.

(3) Lighting. Lighting integrated into or associated with freestanding signs is subject to standards in § 21.304.22 and § 21.301.07.

(4) Planned developments. When there are multiple contiguous properties within an approved Planned Development of record, the properties are considered one property for the purposes of freestanding signage allowances. Additional signs may be approved through planned development flexibility as specified in § 19.38.01.

(c) Monument sign standards. Monument signs must comply with the requirements in the following table according to the sign district in which they are located:

<u>Sign District</u>	<u>Monument Sign Performance Standards</u>				
	<u>Maximum Number</u>	<u>Minimum Setbacks</u>		<u>Maximum Height</u>	<u>Maximum Area per Sign</u>
		<u>Along Public Streets</u>	<u>Side or Rear Yard</u>		
<u>Class I</u>					
<u>Neighborhood Identification Sign</u>	<u>2 per neighborhood</u>	<u>15 feet</u>	<u>5 feet</u>	<u>8 feet</u>	<u>40 sq. ft.</u>
<u>Nonresidential Use Signs</u>	<u>1 per public street frontage</u>	<u>15 feet</u>	<u>5 feet</u>	<u>8 feet</u>	<u>40 sq. ft.</u>
<u>Class II</u>	<u>1 per public street frontage</u>	<u>15 feet</u>	<u>5 feet</u>	<u>8 feet</u>	<u>40 sq. ft. for residential uses, 64 sq. ft. for nonresidential uses</u>
<u>Class III</u>	<u>1 monument or pylon sign per public street frontage</u>	<u>15 feet for signs 8 feet or less in height, 20 feet for signs taller than 8 feet</u>	<u>5 feet</u>	<u>20 feet (see table note 1)</u>	<u>0.4 sq. ft. of sign area per linear foot of lot frontage, up to a maximum of 150 sq. ft. (see table notes 2 and 3)</u>

<u>Class IV</u>	<u>1 per public street frontage</u>	<u>20 feet</u>	<u>5 feet</u>	<u>20 feet (see table note 1)</u>	<u>0.5 sq. ft. of sign area per linear foot of lot frontage, up to a maximum of 500 sq. ft. (see table note 3)</u>
<u>Class V</u>	<u>1 per public or private street frontage</u>	<u>15 feet</u>	<u>5 feet</u>	<u>8 feet</u>	<u>0.4 sq. ft. of sign area per linear foot of lot frontage, up to a maximum of 150 sq. ft. (see table notes 2 and 3)</u>

Table Notes

- 1) When located adjacent to and oriented towards I-35W, I-494, and TH-77, the maximum height allowed for a monument sign is 45 feet at sites zoned CR-1, C-2, C-3, or CX-2 and 30 feet at all other sites.
- 2) When located adjacent to and oriented towards I-35W, I-494, and TH-77, the maximum area allowed for a monument sign is 200 square feet at sites zoned CR-1, C-2, or C-3.
- 3) Each legally permitted monument sign is granted a minimum sign area allowance of 40 square feet irrespective of lot frontage.

(d) Pylon sign standards. Pylon signs must comply with the requirements in the following table according to the sign district in which they are located:

<u>Sign District</u>	<u>Pylon Sign Performance Standards</u>				
	<u>Maximum Number</u>	<u>Minimum Setbacks</u>		<u>Maximum Height</u>	<u>Maximum Area per Sign</u>
		<u>Along Public Streets</u>	<u>Side or Rear Yard</u>		
<u>Class III</u>	<u>1 monument or pylon sign per public street frontage</u>	<u>15 feet for signs 8 feet or less in height, 20 feet for signs taller than 8 feet</u>	<u>5 feet</u>	<u>20 feet (see table note 1)</u>	<u>0.35 sq. ft. of sign area per linear foot of lot frontage, up to a maximum of 150 sq. ft. (see table notes 2 and 3)</u>

Table Notes

- 1) When located adjacent to and oriented towards I-35W, I-494, and TH-77, the maximum allowed height for a pylon sign is 45 feet at sites zoned CR-1, C-2, or C3 and 30 feet at all other sites.
- 2) When located adjacent to and oriented towards I-35W, I-494, and TH-77, the maximum area allowed for a pylon sign is 200 square feet at sites zoned CR-1, C-2, or C-3.
- 3) Each legally permitted pylon sign is granted a minimum sign area allowance of 40 square feet irrespective of lot frontage.

(e) Menu boards. Menu boards are allowed as part of permitted drive-throughs in addition to the signage allowances in subsections (c) and (d) above, subject to the following standards:

(1) Number, size, and height.

(A) Primary menu board. One primary menu board up to 36 square feet in area and eight feet in height is allowed per order station.

(B) Secondary menu board. One secondary menu board up to 15 square feet in area and six feet in height is allowed per drive-through.

(2) Separation from residential. Menu boards must be located at least 75 feet from a property that is zoned and used residentially.

(f) *Special freestanding sign provisions.* The following special freestanding sign provisions are applicable across all sign districts:

(1) *College campuses and schools (K-12).* Freestanding signage allowances at college campuses and schools (K-12) are as follows in place of the sign number, height, and size regulations in subsection (c) above:

(A) *Primary identification signs.* Each college campus or school is permitted one primary identification sign per arterial street frontage, up to 100 square feet in area and 20 feet in height.

(B) *Secondary identification signs.* Each college campus or school is permitted two secondary identification signs up to 50 square feet in area and ten feet in height.

(C) *Light pole signs.* College campuses and schools may erect light pole signs subject to the following standards:

(i) *Number.* The maximum number of light pole signs at a college campus or school site is one per acre, rounded to the nearest acre.

(ii) *Location.* The sign must be located at least 15 feet from public right-of-way and five feet from side or rear lot lines not abutting a street.

(iii) *Size.* The sign must not exceed 20 square feet.

(iv) *Height.* The sign must not exceed a height of 20 feet.

(2) *High usage parks, playfields, and golf courses.* Freestanding signage allowances at high usage park sites (Bush Lake Beach, Valley View Playfield, Gene C. Kelly Playfield, Dred Scott Playfield, Moir Park, Mount Normandale Lake Park, and Hyland Regional Park), high school playfields (Jefferson, Kennedy, and Lincoln school fields), and golf courses (Dwan, Hyland Greens, and Minnesota Valley) are as follows in place of the sign number, height, and size regulations in subsection (c) above:

(A) *Main freestanding park sign.* One freestanding sign up to 80 square feet in area is allowed.

(B) *Additional freestanding park signs.* For parks with more than one public entrance, one additional freestanding sign up to 24 square feet in area is allowed per entrance.

(C) *Playfield entrance signs.* One freestanding sign, either monument or pylon, is permitted at the primary entrances of Jefferson, Kennedy, and Lincoln school fields subject to the following standards:

(i) *Size.* The sign must not exceed 200 square feet.

(ii) *Height.* The sign must not exceed a height of 20 feet.

(iii) *Setbacks.* The freestanding entrance sign must comply with setback requirements in subsection (c) above.

(D) *Outfield signs and scoreboard signs.* Outfield signs and scoreboard signs are permitted at Dred Scott Playfield, Valley View Playfield, Gene C. Kelly Playfield, Smith Park, Jefferson School Field, Kennedy School Field, and Lincoln School Field.

§ 21.304.17 BUILDING SIGNS (WALL, AWNING, CANOPY, PROJECTING, ETC.)

(a) *Purpose.* Building signs must comply with the following performance standards.

(b) *Building sign types.* Regulations for building signs are applicable to sign types that are permanently affixed to a building including, but not limited to, wall, projecting, suspended, canopy, and awning signs, as defined in § 21.304.07.

(c) Basic design elements of building signs.

(1) General standards.

(A) Building sign number allocation. The number of building signs allocated on a per elevation basis may not be reallocated from one building elevation to another to increase the number of signs on a particular elevation beyond the maximum number allowed in subsection (d).

(B) Building sign area allocation. Building signage areas allocated on a per elevation basis may not be reallocated from one building elevation to another to increase signage area on a particular elevation beyond the maximum amount allowed in subsection (d).

(C) Building signs must not extend above the roof or parapet wall line.

(D) Illumination. The illumination of building signs is subject to standards in § 21.304.22 and § 21.301.07.

(2) Wall signs.

(A) Wall signs must not extend outward more than 24 inches from the building or structure wall.

(B) The linear measurement of any wall sign must not exceed 80% of the linear frontage of the applicable facade of the building.

(3) Awning signs.

(A) The frame for the awning must be non-corrosive galvanized metal or aluminum.

(B) Awnings must have a maximum projection of four feet

(4) Projecting and suspended signs.

(A) Minimum clearance. Projecting and suspended signs must have a minimum clearance of eight feet above any sidewalk.

(d) Building sign standards. Building Signs must comply with the requirements in the following table according to the sign district in which they are located:

<u>Sign District</u>	<u>Building Sign Standards</u>		
	<u>Maximum Number of Building Elevations with Signage</u>	<u>Maximum Number of Building Signs Allowed</u>	<u>Maximum Total Area of Allowed Signage per Building Elevation</u>
<u>Class I</u> (Building signs are only allowed for multiple-family residential buildings 20 units or greater and nonresidential uses)	<u>1 per public street frontage</u>	<u>3 per building elevation</u>	<u>Residential uses – 40 sq. ft.</u> <u>Nonresidential uses – 50 sq. ft.</u>
<u>Class II</u>	<u>1 per public street frontage</u>	<u>3 per building elevation</u>	<u>Residential uses – 40 sq. ft.</u> <u>Nonresidential uses – 100 sq. ft.</u>

<u>Class III</u>	<u>4</u>	<u>No limit</u>	<u>1.25 sq. ft. per linear foot of tenant space or building frontage with no individual sign exceeding 250 square feet when visible from and within 250 feet of a dwelling on designated residential property</u>
<u>Class IV (CX-2)</u>			
<u>Mixed use center identification sign</u>	<u>4</u>	<u>1 per building elevation</u>	<u>2,500 sq. ft.</u>
<u>Tenant identification signs</u>	<u>4</u>	<u>8 per building elevation</u>	<u>1,000 sq. ft.</u>
<u>Class V</u>	<u>4</u>	<u>Residential uses – 1 per building elevation</u> <u>Nonresidential uses – No limit</u>	<u>Residential uses – 50 sq. ft.</u> <u>Nonresidential uses – 1.25 sq. ft. per linear foot of tenant space or building frontage with no individual sign exceeding 250 square feet when visible from and within 250 feet of a dwelling on designated residential property</u>

(e) Special building sign provisions. The following special building sign provisions are applicable across all sign districts:

(1) Window signs. In addition to building signage allowed in subsection (d) above, window signs are allowed for retail uses only within a ground-level window, but limited to a maximum coverage of 25% of any individual window on which they are affixed or installed.

(2) Buildings seven stories or greater, nonresidential. Nonresidential buildings that are seven stories or greater in height are limited to one building sign per elevation located above the second story of the building. Building signs are allowed on all building elevations. The maximum total area of allowed building signage per building elevation is two square feet per linear foot of building frontage. No individual building sign may exceed 400 square feet in size.

(3) Service area canopy signs. In addition to building signage allowed in subsection (d) above, service area canopies may have two additional signs up to a maximum size of 40 square feet each per service area canopy.

(4) College campus signs. Building signs are allowed on all elevations of buildings associated with a college campus with a maximum number of eight signs per building elevation. Total signage area must not exceed one square-foot per linear foot of building frontage.

(5) Signs on parking structures. Building signs may be installed on associated parking structures that are three stories or taller, with the following limitations:

(A) Building elevation limitations. Building signs installed on parking structures are limited to building elevations that face public or private streets only.

(B) Number of signs. The maximum number of signs allowed on an elevation of a parking structure is two signs.

(C) Sign size. The total area of building signage allowed on a single building elevation is 150 square feet.

§ 21.304.18 ELECTRONIC SIGNS.

(a) Findings and purpose. Studies show a positive correlation between electronic signs that display changing messages or graphics and driver distraction. Distracted driving can result in increased traffic crashes or other hazardous events. The standards within this section are intended to minimize potential driver distraction, hazards to public safety, and related nuisance characteristics associated with electronic signs.

(b) Size. An electronic sign must not exceed 150 square feet in area, except for legally established nonconforming billboards otherwise in compliance with § 21.304.20.

(c) Setback from residential. The leading edge of an electronic sign must be located at least 100 feet from any parcel that is both residentially zoned and residentially used.

(d) Operational requirements. Electronic signs are subject to the following operational requirements:

(1) Dwell time.

(A) Electronic changeable copy signs with ten words or less must have a static display for a minimum of eight seconds.

(B) Electronic changeable copy signs with 11 words or more or electronic graphic display signs must have a static display for a minimum of 20 seconds.

(2) Transition. The change sequence of any electronic sign must be accomplished by means of instantaneous repixelization. Fading, dissolving, scrolling, traveling, or any transition that creates the illusion of movement is prohibited.

(3) Brightness. Electronic signs must not exceed maximum luminance specified in § 21.301.07 as measured from the sign's face at maximum brightness.

(4) Dimmer control. Electronic signs must have an automatic dimmer control to produce a distinct lumination change from a higher lumination level to a lower level for the time period between one-half hour before sunset and one-half hour after sunrise.

(5) Audio or pyrotechnics. Audio or any form of pyrotechnics are prohibited in association with an electronic sign.

(6) Nighttime use. When located within 150 feet of a site that is both residentially zoned and residentially used, an electronic sign must be static or turned off between the hours of 9:00 p.m. and 7:00 a.m.. The following sign types are exempt from the nighttime use limitation:

(A) Price signs designed to change infrequently; and

(B) Electronic signs that are oriented so that no portion of the sign face is visible from a permitted principal structure on a site that is both residentially zoned and residentially used.

§ 21.304.19 VIDEO SIGNS.

(a) Findings and purpose. Studies show a positive correlation between video signs and driver distraction. Distracted driving can result in increased traffic crashes or other hazardous events. The following standards are intended to minimize potential driver distraction, hazards to public safety, and related nuisance characteristics associated with video signs.

(b) Orientation. In all sign districts, the video sign must be placed, illuminated, and oriented in a manner that meets traffic safety standards and so that no portion of the sign face is visible from:

(1) an existing or permitted principal structure on any residential lot; or

(2) any traveled highway, street, trail, or bikeway.

(c) Size. Video signs must not exceed 50 square feet.

(d) Operational requirements. Video signs are subject to the following operational requirements:

(1) Brightness. Video signs must not exceed maximum illumination levels specified in § 21.301.07(c)(5), measured from the sign's face at maximum brightness.

(2) Dimmer control. Video signs must have an automatic dimmer control to produce a distinct illumination change from a higher illumination level to a lower level for the time period between one-half hour before sunset and one-half hour after sunrise.

(3) Audio or pyrotechnics. Audio or any form of pyrotechnics are prohibited as part of a video sign.

§ 21.304.20 BILLBOARDS.

(a) Purpose, intent, and findings. The City Council finds that large, off-premise advertising signs known commonly and in this city code as billboards create an immediate safety risk to the public by diverting the attention of persons operating vehicles from the surrounding travelways. The City Council further finds that billboards create visual obstructions that have undesirable effects on adjacent property owners and businesses and harm the overall aesthetics of the community's physical environment. This section promotes the general health, safety, and welfare and directly advances the City's substantial government interests by prohibiting the construction of new billboards in the city and confirming the legal nonconforming status of pre-existing billboards in the city. Furthermore, this section imposes reasonable regulations on legally nonconforming billboards to abate nuisance characteristics associated with billboards and to promote the public health, safety, and welfare by requiring proper construction and maintenance, prohibiting features most likely to cause distraction amongst persons operating vehicles, and reducing obstructions and visual clutter that harms the overall physical environment and aesthetics of the community.

(b) Billboard prohibition. Billboards are prohibited in all sign districts, unless expressly permitted by this sign code.

(c) Billboards in existence on August 6, 2009. Billboards legally in existence on August 6, 2009, shall have the status and rights of a legally established nonconforming sign pursuant to § 21.304.23 and M.S. § 462.357, subd. 1e, as it may be amended from time to time. To protect the public health, welfare, and safety, and to prevent and abate nuisances, pursuant to M.S. § 462.357 subd. 1e(b), all billboards, including legally established nonconforming billboards, are subject to the following regulations:

(1) Mounting. Billboards must be erected on single poles and maintained as required by § 21.304.21.

(2) Signs per face. No billboard structure may contain more than two signs per face.

(3) Animation. No animation is permitted on billboards.

(4) Maximum length. The length of any billboard, including trim and extensions, must not exceed 50 feet.

(5) Maximum copy area. The copy area for each billboard face is limited to 14 feet by 48 feet with no copy, projection, or extension to the top, sides, or bottom.

(6) *Maximum height.* No portion of any billboard, including the face, trim, or extensions, may exceed 40 feet above grade.

(7) *Roof-mounting.* No billboard shall be erected on or above the roof of any building.

(8) *Rotation.* No billboard or portion thereof may turn on an axis, rotate, revolve, or otherwise physically move.

(9) *Maximum depth.* The maximum depth of each sign face, measured from the outside, back to front, of each display panel surface, must not exceed two feet.

(10) *Electronic display techniques.* Any billboard utilizing electronic display techniques in whole or in part must meet the following operational regulations:

(A) *Dwell time.* The full billboard image or any portion thereof must have a static display as follows:

(i) *Electronic changeable copy signs with ten words or less must have a static display for a minimum of eight seconds.*

(ii) *Electronic changeable copy signs with 11 words or more or electronic graphic display signs must have a static display for a minimum of 20 seconds.*

(B) *Transition.* Where the full billboard image or any portion thereof changes, the change sequence must be accomplished by means of instantaneous re-pixelization.

(C) *Brightness.* The billboard must not exceed maximum illumination levels specified in § 21.301.07(c)(5), measured from the billboard's face at maximum brightness.

(D) *Dimmer control.* The billboard must have an automatic dimmer control to produce a distinct illumination change from a higher illumination level to a lower level for the time period between one-half hour before sunset and one-half hour after sunrise.

(E) *Audio or pyrotechnics.* Audio or any form of pyrotechnics are prohibited as part of a billboard.

(F) *Flashing.* No portion of any billboard may display the characteristics of a flashing sign.

(G) *Video display.* No portion of any billboard may display the characteristics of a video sign.

(d) *Billboards permitted to continue.* Following destruction of a legally established nonconforming billboard potentially eligible to continue after destruction under § 21.304.23(d)(2), the owner must apply for a sign permit to continue the billboard. The issuing authority may impose reasonable conditions on the sign permit to mitigate any new impacts upon adjacent properties.

(e) *Digital conversion permitted.* Notwithstanding § 21.204.23(b), a legally established nonconforming billboard may be converted from a non-digital to digital display, provided the billboard is in compliance with this section. A sign permit is required for the conversion.

§ 21.304.21 SIGN CONSTRUCTION AND MAINTENANCE STANDARDS.

(a) *Construction standards.*

(1) *Conformance with building code.* All permanent signs must be constructed and erected in accordance with the requirements of the Minnesota State Building Code. Where required, a building permit must be obtained prior to the installation of a sign.

(2) *Conformance with electrical code.* All lit signs must be installed in accordance with the requirements of the Minnesota Electrical Code. Where required, an electrical permit must be obtained prior to the installation of a sign.

(b) *Maintenance standards.*

(1) *General maintenance.* All signs and sign structures must be maintained in a safe condition and kept in good repair and proper state of maintenance.

(2) *Maintenance activities.* Maintenance includes, but is not limited to, activities such as replacing or repairing the sign face, replacing lamps, repairing or replacing the foundation of freestanding signs, painting the base of a freestanding sign or trim of a building sign, and replacing fasteners or other hardware used to attach or assemble a sign.

(3) *Non-maintenance activities.* Activities that modify the sign in such a manner that results in increased sign height, physical expansion of the area or depth of the sign or its associated components, or relocation of the sign are not considered maintenance for the purposes of this sign code.

§ 21.304.22 SIGN LIGHTING.

(a) *Interference with traffic.* No lighting may be used in any way in connection with a sign unless it is effectively shielded so as to prevent beams or rays of light from being directed at any portion of the main-traveled way of the public roadway, bikeway, trail, or onto any residential property, or is of such low intensity or brilliance as not to cause glare or to impair the vision of a person operating a vehicle, or to otherwise interfere with a person's operation of a vehicle.

(b) *Underground electrical service.* All luminated freestanding identification signs must have underground electrical service.

(c) *Lighting standards.* Lighting integrated into or associated with a sign must comply with the standards of § 21.301.07, including sign brightness.

(d) *Dimmer control.* All luminated signs must have a dimmer to control sign brightness.

(e) *Temporary sign lighting.* Except for temporary decorations, temporary signs must not be lit unless otherwise noted in § 21.304.13.

(f) *Proximity to residential.* Luminated signs must have a minimum separation of 100 feet from the leading edge of a sign to any adjacent parcel that is both residentially zoned and residentially used if the sign face is visible from the adjacent residential property.

§ 21.304.23 NONCONFORMING SIGNS.

(a) Pursuant to M.S. § 462.357, subd. 1e, as it may be amended from time to time, a legally established nonconforming permanent sign may continue, including through repair, replacement, restoration, maintenance, or improvement, but not including expansion, only in compliance with the provisions of this section.

(b) *Expansion.* For purposes of this sign code, expansion means:

(1) An increase to the sign area that that increases the level of nonconformity;

(2) An increase to the height of the sign that increases the level of nonconformity;

(3) An increase to the dimensions of the sign cabinet or increase in the depth of the sign;
or

(4) Removal of the sign and installation of the sign at a new location.

(c) A legally established nonconforming sign may not be expanded except to bring the sign into compliance with this sign code, unless a sign variance, master sign plan or planned development flexibility is approved that allows the proposed level of nonconformity.

(d) A legally established nonconforming sign must not resume if:

(1) The sign is discontinued within the meaning of M.S. § 462.357, subd. 1e; or

(2) The sign or is destroyed by fire or other peril to the extent of greater than 50% of its market value, as indicated in the records of the city assessor at the time of damage, and no sign permit has been applied for within 180 days of the when the sign was damaged. In this case, the city may impose reasonable conditions on the sign permit in order to mitigate any newly created impact on adjacent property.

§ 21.304.24 SIGN VARIANCES.

(a) Purpose. Sign variances provide a means to approve deviation from the sign code or other city code requirements related to sign size, sign height, sign location, or number of signs, where practical difficulties exist because of conditions or circumstances unique to an individual property. The purpose of this section is to establish the procedures for requesting a sign variance and the requirements for issuing a sign variance.

(b) Authority. The City Council shall serve as the board of appeals and adjustments pursuant to the provisions of M.S. §§ 462.354, subd. 2; 462.357, subd. 6; and 462.359, subd. 4, as they may be amended from time to time.

(c) Where authorized. Sign variances may be granted for the following:

(1) Sign size or height;

(2) Sign location;

(3) Number of signs; or

(4) Other dimensional feature.

(d) Where required. Prior to any city approval of a sign permit application that does not meet the standards of the city code, the City Council must approve a sign variance unless the city code provides an alternate means of deviation.

(e) Initiation. A sign variance application must be initiated by the owner of land upon which a variance is proposed or by the issuing authority. If originally denied, a sign variance application for the same item may not be resubmitted until one year after the original denial.

(f) Review. Sign variances must be acted upon by the City Council. The Planning Commission must hold a public hearing and offer a recommendation on all sign variances.

(g) Conditions of approval. The City Council may impose conditions in the granting of a sign variance. A condition must be directly related to and must bear a rough proportionality to the impact created by the sign variance.

(h) Findings. Sign variance applications may be granted if applicant demonstrates, and the issuing authority makes, all findings required by this subsection. The issuing authority must apply the criteria in a content-neutral manner, not taking into consideration the communicative content of the sign or proposed sign.

(1) The variance is in harmony with the general purposes and intent of the sign code and other applicable sections of the city code;

(2) The variance is consistent with the Comprehensive Plan;

(3) The applicant for the variance establishes that there are practical difficulties in complying with the sign code, and strict compliance with the sign code would deprive the applicant of a reasonable use of a sign, consistent with the purpose of the sign. Economic considerations alone do not constitute practical difficulties;

(4) The property owner proposes to use the sign in a reasonable manner not permitted by the sign code or other applicable sections of the city code;

(5) The plight of the landowner is due to circumstances unique to the property not created by the landowner; and

(6) The variance, if granted, will not alter the essential character of the locality, or deter or negatively affect the travelling public on roads or highways adjacent to the sign.

(i) *Recording.* A certified copy of the resolution approving a sign variance must be recorded with the county.

(j) *Expiration.* Expiration of sign variances is governed by § 19.23.01.

(k) *Use variance prohibited.* No sign variance may be granted that would allow a sign not of a type allowed at the lot or site subject to the sign variance application.

(l) *Content.* Sign variance applications must include all information required in § 2.85.04(k).

(m) *Notice.* In addition to the notice requirements set forward in § 21.502.01, if the sign variance application pertains to a variance within the Floodplain District, notice must also be given to the Minnesota Department of Natural Resources at least ten days prior to the date of the hearing.

§ 21.304.25 COMPREHENSIVE SIGN PLANS.

(a) *Purpose.* The City Council finds that the purpose of a comprehensive sign plan is to establish a fair and equitable process for complex signage situations that:

(1) Accommodate the needs for a well-maintained, safe, and attractive community; and

(2) Provide effective communications, including business identification.

(b) *Consistency with the sign code.* A comprehensive sign plan for a multi-tenant building must be consistent with all regulations of this sign code.

(c) *Comprehensive sign plan allowance.* Comprehensive sign plans may only be submitted for sites or planned developments that have multi-tenant buildings. A comprehensive sign plan is a discretionary tool that can be used to establish the following, as determined by the property owner(s) or their authorized representative(s):

(1) *Building sign area allocation.* A comprehensive sign plan may allocate the total allowed sign area of an individual building elevation amongst all the tenants or occupants of a building.

(2) *Building sign location.* A comprehensive sign plan may establish required mounting or installation locations for building signs.

(3) *Building sign construction type.* A comprehensive sign plan may establish uniformity of building sign construction (cabinet or channel).

(d) *Limitations.* A comprehensive sign plan may not be used for the following:

(1) *Reallocation of signage to other building elevations.* A comprehensive sign plan may not be used to reallocate unused building sign area to other building elevations or increase the maximum number of signs allowed on an individual building elevation.

(2) *Sign text requirements.* A comprehensive sign plan may not be used to specify mandatory fonts or precise sizes of text incorporated into a building sign.

(e) *Minimum application requirements.* A comprehensive sign plan application must include the following content, unless exempted by the Planning Manager.

(1) *Property owner consent.* All applications for a new or revised comprehensive sign plan must be signed by the property owner(s) or authorized representative(s).

(2) *Written documentation.* A description of the purpose or intent of the comprehensive sign plan.

(3) *Plans and other documentation.*

(A) *Sign area allocation.* If allocating the total sign area of a building elevation amongst tenants and occupants, the signage area allowance for each tenant space must be documented in both visual and tabular forms.

(B) *Sign location.* If establishing required installation or mounting locations for building signage, plans or written documentation must be provided specifying these locations in detail as determined by the Planning Manager.

(C) *Sign construction type.* If establishing uniformity of sign construction, plans or written documentation must be provided specifying the construction type for all building signs.

(4) *Application fee.* The required application fee as established in Appendix A of this city code.

§ 21.304.26 MASTER SIGN PLANS.

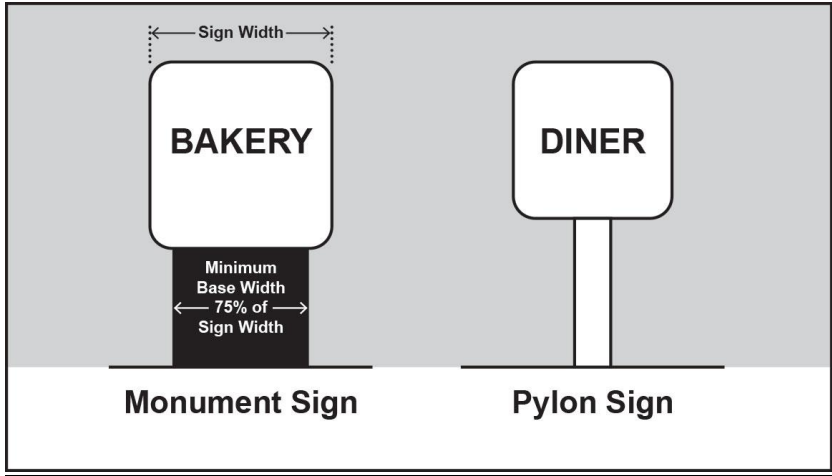
(a) *Purpose.* To support a dynamic and vibrant environment desired for the South Loop District, as defined in the Bloomington Comprehensive Plan, flexibility to sign regulations of this sign code, including the number, size, location, and type of signs, may be granted by the City Council through approval of a master sign plan.

(b) *Application review and approval process.* Application submittal, review, and approval procedures for master sign plans are outlined in § 21.501.06.

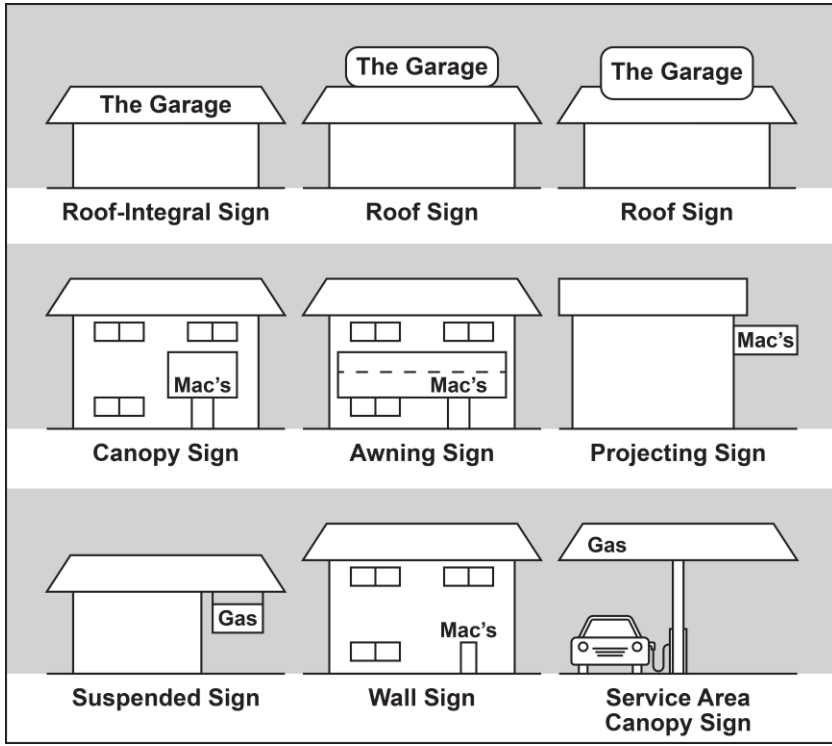
(c) *Billboards.* Master sign plans may not be utilized for the purposes of seeking flexibility to the billboard regulations of this sign code.

§ 21.304.27 GRAPHIC ILLUSTRATIONS OF SIGN TYPES.

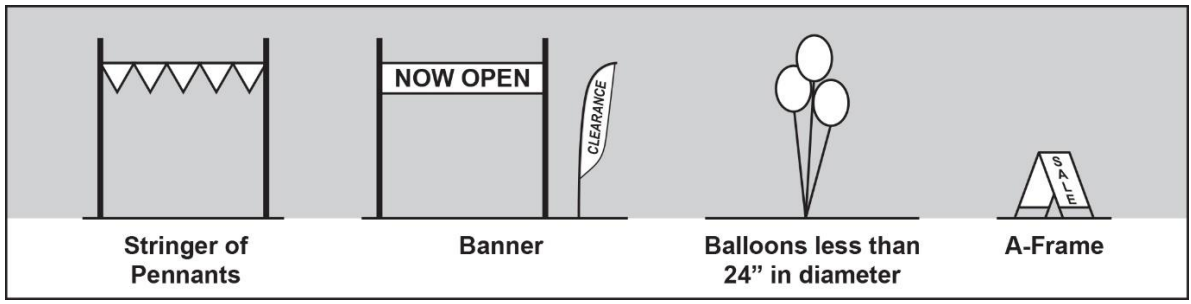
(a) *Freestanding signs.*



(b) Building signs.



(c) Temporary signs.



ARTICLE V: ADMINISTRATION AND NONCONFORMITY

DIVISION A: APPROVALS AND PERMITS

§ 21.501.06 MASTER SIGN PLAN.

(i) *Sign permits required.* No exterior sign approved under a master sign plan may be installed prior to receiving a sign permit, unless exempted through § 21.304.12~~[19.405]~~. The Issuing Authority may issue sign permits for signs that substantially conform to the master sign plan.

DIVISION B: APPLICATION PROCESSES

§ 21.502.01 APPLICATION PROCESSES.

(d) *Sign applications and fees.* Signs requiring permits must be reviewed and approved by staff prior to installation. Review of permanent signs include separate sign application fees and sign permit fees for permanent signs.

(3) *Temporary sign combined application and permit fees.*

(A) Temporary signs require one combined application and permit fee as set forth in City Code Appendix A per occasion per site due at the time of application, and prior to installation. Alternatively, if an application lists the same temporary signage for succeeding occasions occurring within one year for the same site, a one time permit with fee as set forth in City Code Appendix A applies.

(B) Exemptions: temporary signs exempted from permit requirements and fees are detailed in § 21.304.13(b)~~[19.405 of this code]~~.

(4) *Comprehensive sign plan*~~[Uniform sign design]~~ fees. The comprehensive sign plan~~[uniform sign design]~~ fees as set forth in ~~[City Code]~~ Appendix A apply and are due at the time of submittal.

DIVISION D: NONCONFORMITY

§ 21.504 NONCONFORMITY.

(c) *Standards.*

(5) *Nonconforming signs*. Nonconforming signs are regulated as specified in [~~Chapter 19, Article X, Sign Regulations~~]21.304.23.

Section 8. That Appendix A of the City Code is hereby amended by deleting those words that are contained in brackets [] with ~~strike through~~ text and adding those words that are underlined, to read as follows:

APPENDIX A: ADMINISTRATIVE RELIEF AND FEE SCHEDULE

This appendix contains the various fees adopted by ordinance in the listed sections of the City Code.

Chapter 19: Zoning			
CODE SECTION	CROSS-REF	DESCRIPTION	FEE

§ 19.118(d)	<u>§ 21.502.01(d)(3)(A)</u>	Temporary Signs for Special Events at Places of Assembly for Worship, Schools, Parks and Public Buildings - Permit Fee	See "TEMPORARY SIGN COMBINED APPLICATION AND PERMIT FEES" table below at <u>§ 21.502.01(d)(3)(A)</u> .
§ 19.119(d)	§ 21.502.01(d)(3)(A)	Temporary Signs for Commercial Promotions - Permit Fee	See "TEMPORARY SIGN COMBINED APPLICATION AND PERMIT FEES" table below at § 21.502.01(d)(3)(A).
§ 19.127(d)	§ 21.502.01(d)(3)(A)	Temporary Signs for Approved Interim Uses in the Class VI Sign District (XC-2)	See "TEMPORARY SIGN COMBINED APPLICATION AND PERMIT FEES" table below at <u>§ 21.502.01(d)(3)(A)</u> .]

CODE SECTION	CROSS-REF	DESCRIPTION	FEE
Chapter 21: Zoning and Land Development			

§ 21.502.01(d)(2)		Permanent Sign Permit Fees (per sign)	
		[Wall] Building sign	\$110
		Freestanding sign	\$110
		[Awning or canopy sign]	[\$50]
		[Incidental or accessory sign]	[\$20]
		[Directional sign]	[\$20]
§ 21.502.01(d)(3)(A)	§ 19.118(d) § 19.119(d) § 19.127(d) <u>§ 21.304.13(c)</u>	Temporary Sign [Combined] Application and Permit Fees	
		Temporary Sign [Combined] Application and Permit Fees	\$30 per occasion per site, due at time of application and prior to installation.
		Temporary sign application for same temporary signage for succeeding occasions occurring within one year for the same site	\$30 one-time permit fee

<i>CODE SECTION</i>	<i>CROSS-REF</i>	<i>DESCRIPTION</i>	<i>FEE</i>
Chapter 21: Zoning and Land Development			
§ 21.502.01(d)(4)	<u>§ 21.304.25</u>	[Uniform] Comprehensive Sign Plan [Design] Fees	
		[Uniform] Comprehensive sign plan [design] - new	\$100
		[Uniform] Comprehensive sign plan [design] - amendment	\$50

Passed and adopted this 26th day of February, 2024.

/s/ Tim Busse
Mayor

ATTEST:

APPROVED:

/s/ Safaa Mercer
Secretary to the Council

/s/ Melissa J. Manderschied
City Attorney